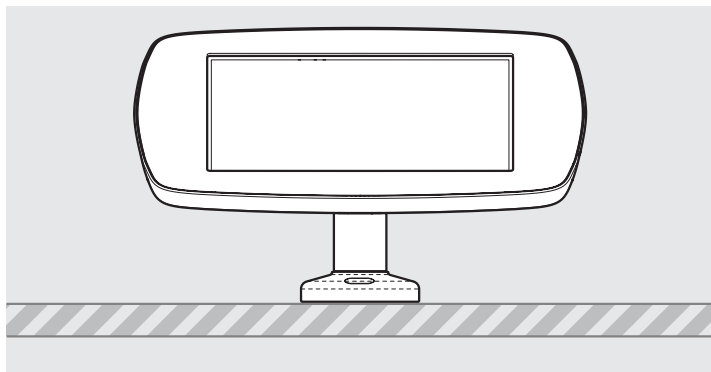


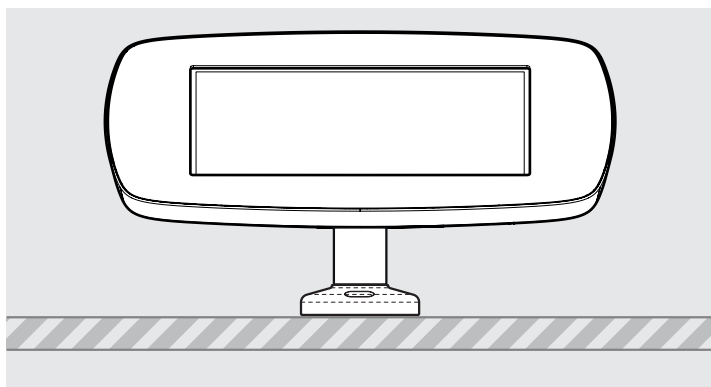
## Mini Case supported devices:

- iPad Mini 1
- iPad Mini 2
- iPad Mini 3
- iPad Mini 4
- iPad Mini (2019)



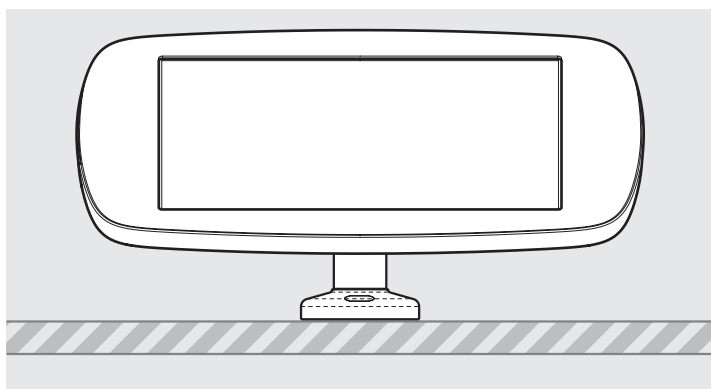
## Midi Case supported devices:

- iPad 6th Gen
- iPad 5th Gen
- iPad 4th Gen
- iPad 3rd Gen
- iPad Pro 9.7
- iPad Air 1
- iPad Air 2
- Samsung Tab S2 9.7
- Samsung Tab S3 9.7
- Samsung Tab A 9.7



## Maxi Case supported devices:

- iPad Pro 10.5
- iPad Pro 11.0
- iPad Air (2019)
- Samsung Tab A6 10.1
- Samsung Tab A 10.1
- Samsung Tab A 10.5
- Samsung Tab 4 10.1
- Microsoft Surface Go



## Mega Case supported devices:

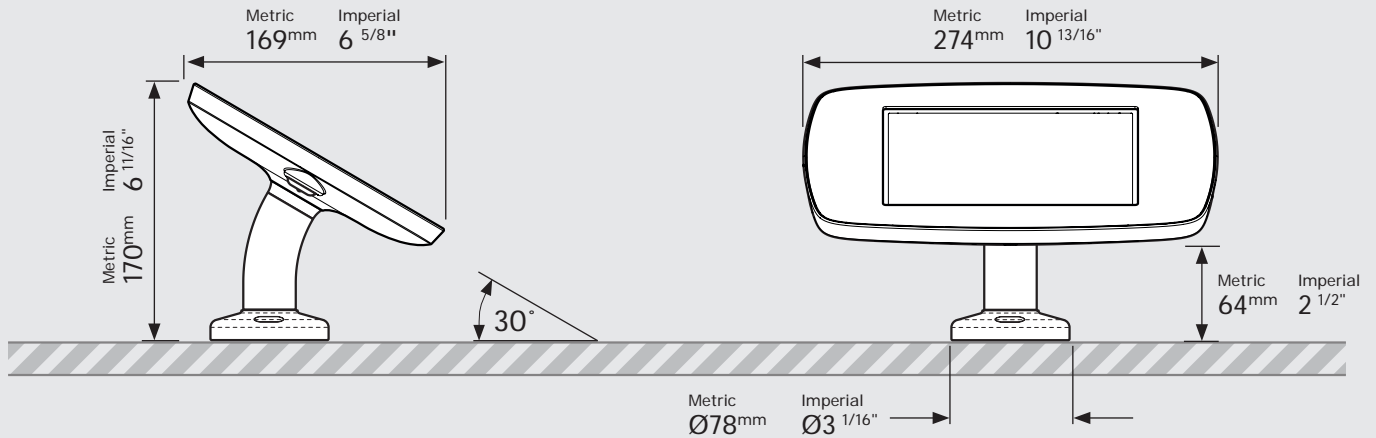
- iPad Pro 12.9" 1st Gen
- iPad Pro 12.9" 2nd Gen
- iPad Pro 12.9" 3rd Gen
- Microsoft Surface Pro 4
- Microsoft Surface Pro 5

# PRODUCT DATA SHEET - BOUNCEPAD SWIVEL DESK

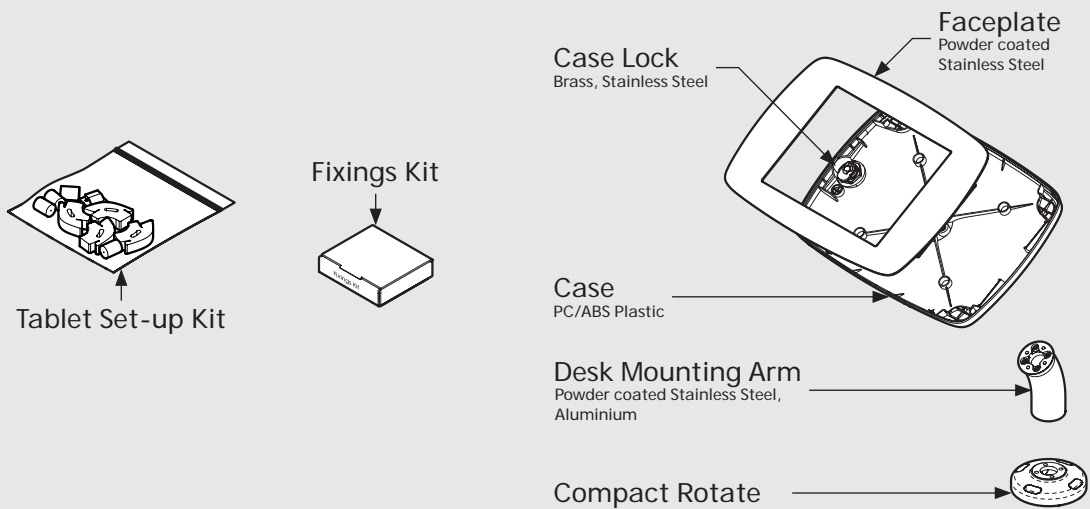
**bouncepad**<sup>®</sup>

Case: Mini    Arm: Desk    Mounting: Freestanding Base    Packaged weight: 3.6kg    Colour: White/Black

## Dimensions



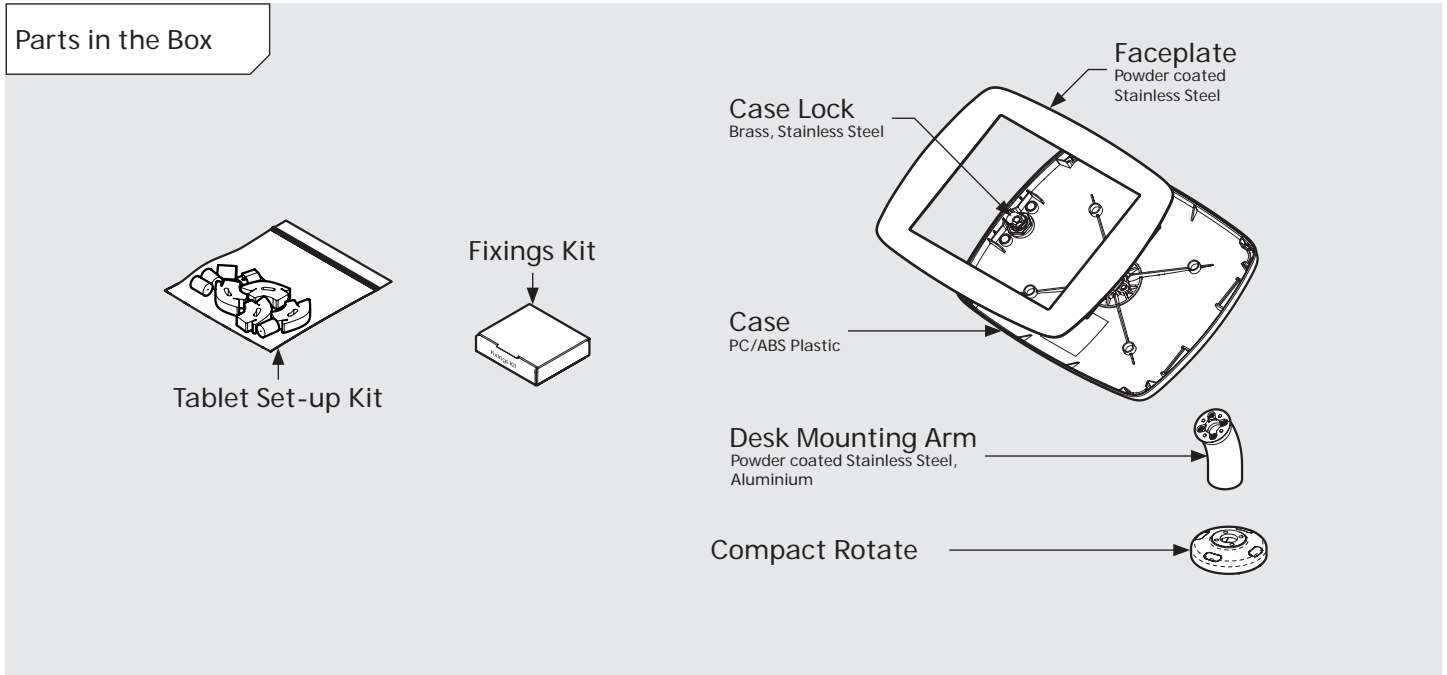
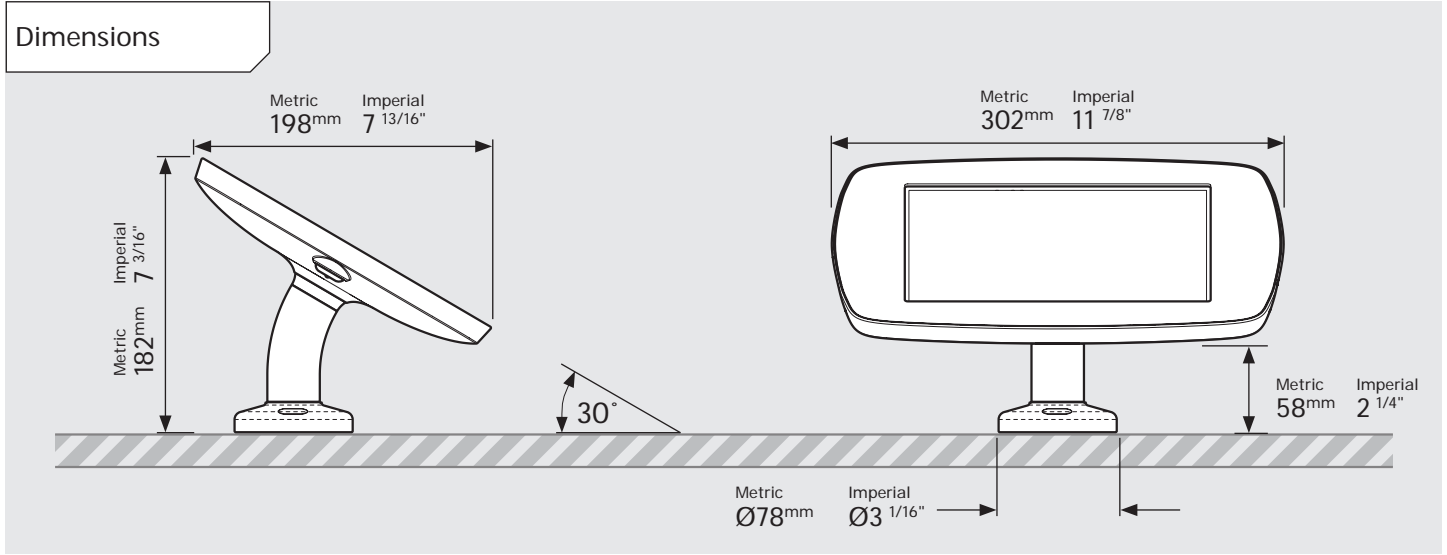
## Parts in the Box



# PRODUCT DATA SHEET - BOUNCEPAD SWIVEL DESK

**bouncepad**<sup>®</sup>

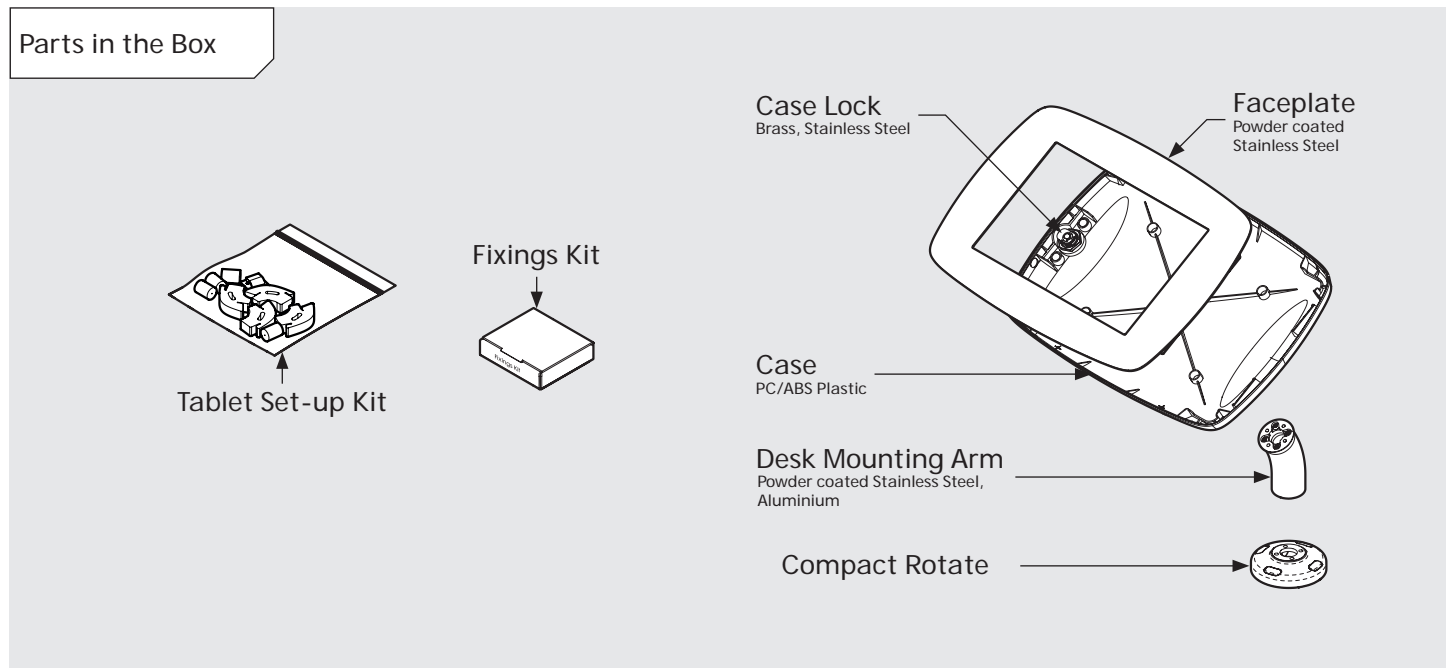
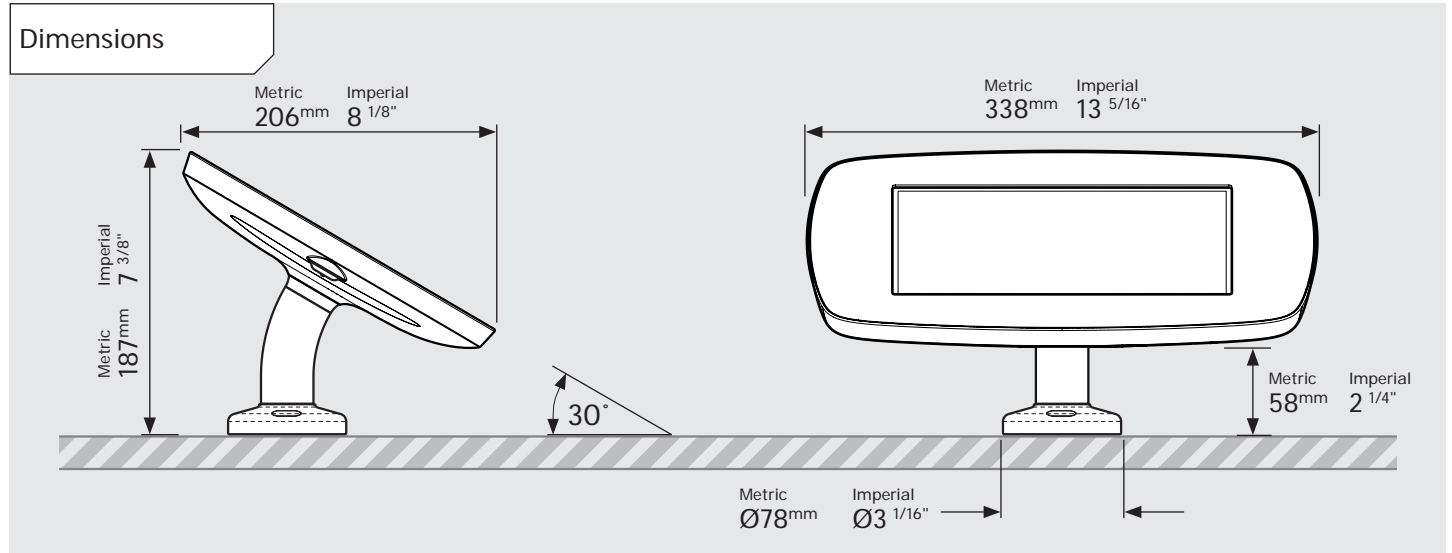
**Case:** Midi    **Arm:** Desk    **Mounting:** Freestanding Base    **Packaged weight:** 3.8kg    **Colour:** White  
Black



# PRODUCT DATA SHEET - BOUNCEPAD SWIVEL DESK

**bouncepad**<sup>®</sup>

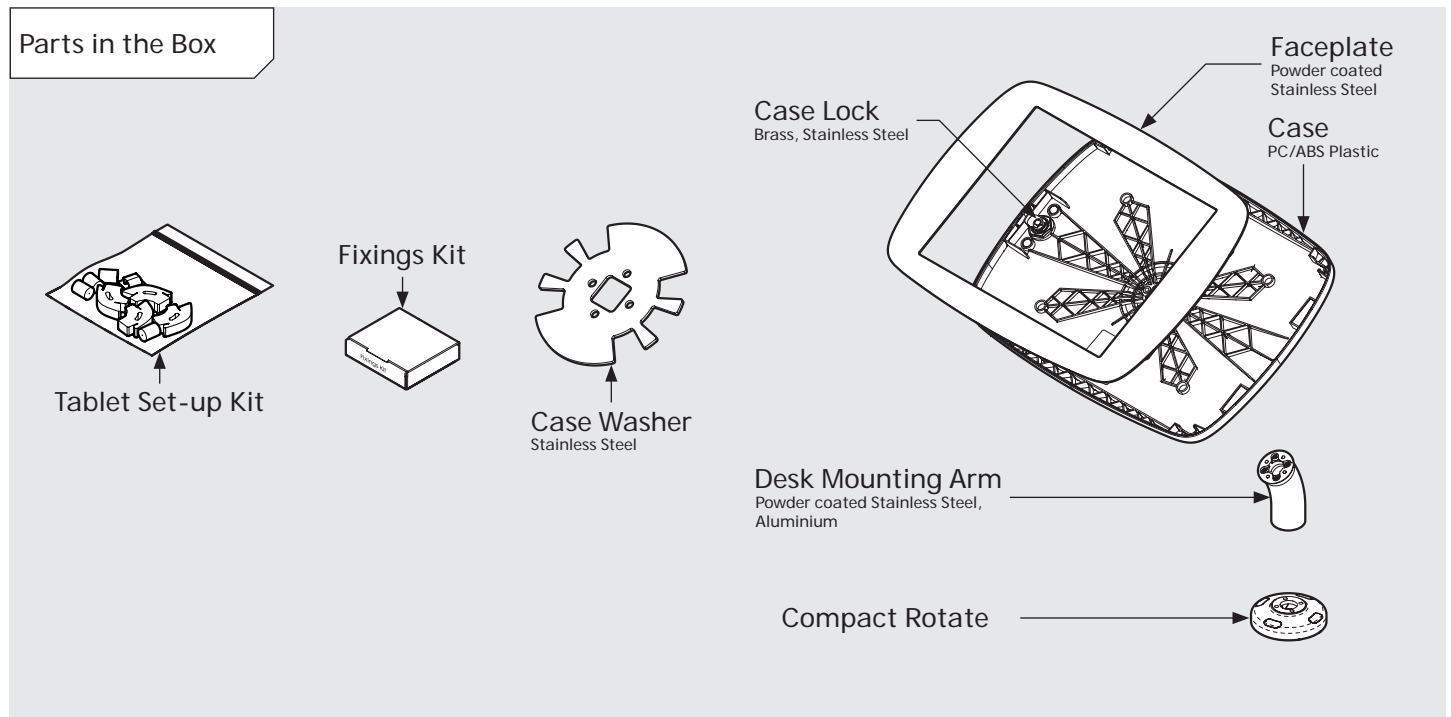
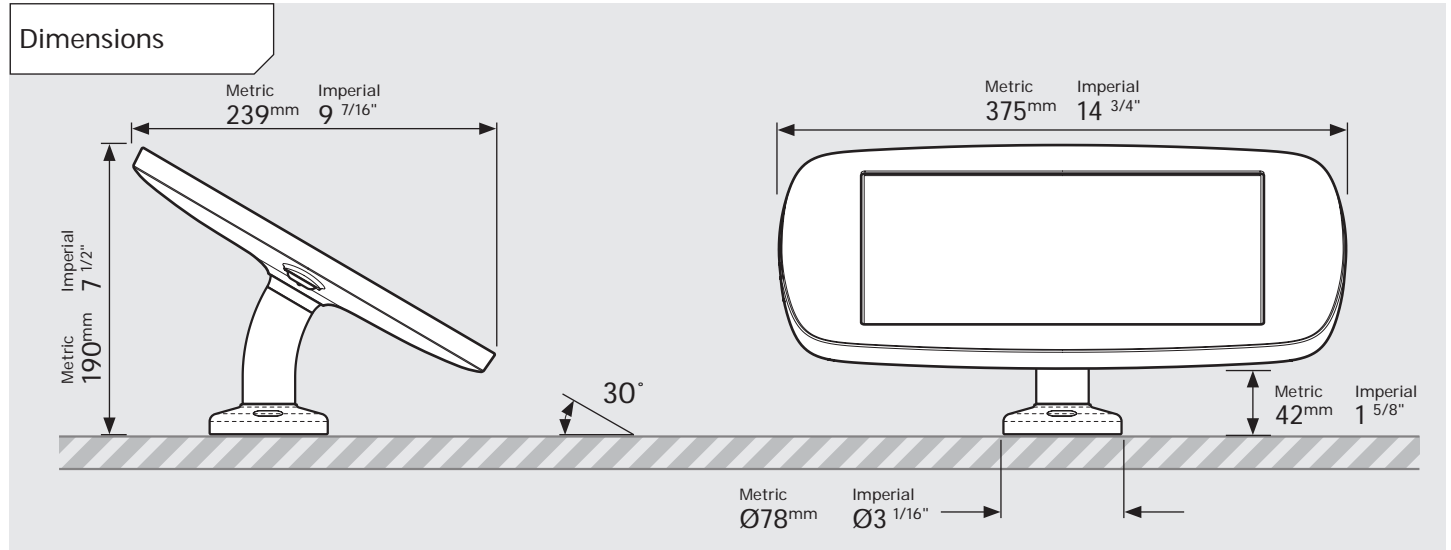
**Case:** Maxi    **Arm:** Desk    **Mounting:** Freestanding Base    **Packaged weight:** 4.0kg    **Colour:** White / Black



# PRODUCT DATA SHEET - BOUNCEPAD SWIVEL DESK

**bouncepad**<sup>®</sup>

**Case:** Mega    **Arm:** Desk    **Mounting:** Freestanding Base    **Packaged weight:** 4.3kg    **Colour:** White  
Black



# PRODUCT DATA SHEET - COMPACT ROTATE

**bouncepad®**

Compatible Mounting Arms:

Desk  
Static60

Mounting:

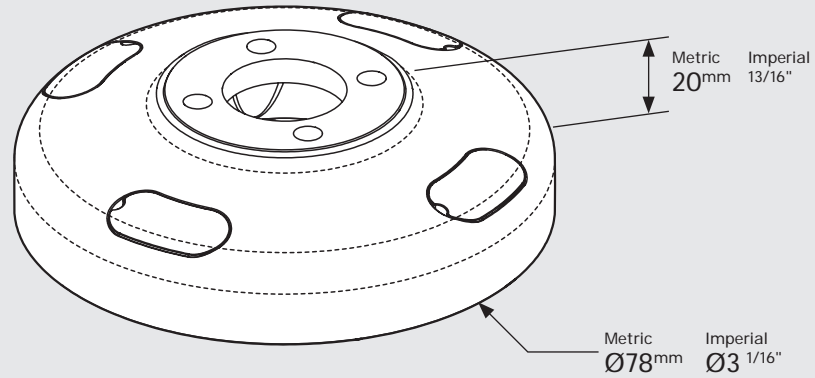
Fixing from  
**below**

Fixing from  
Above

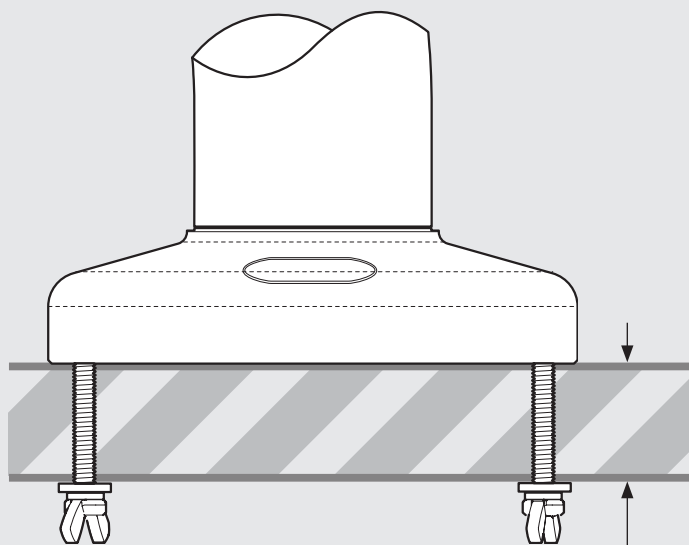
Colour:

Silver Only

## Compact Rotate Dimensions

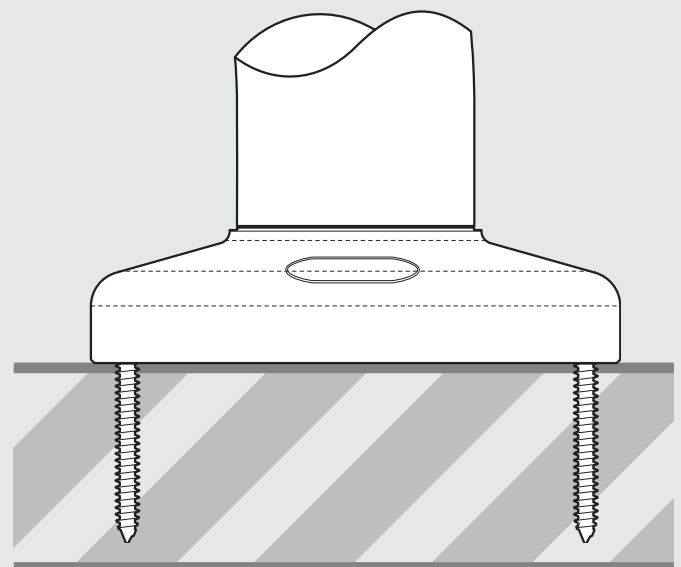


## Fixing from Below



Maximum Mounting surface thickness : Metric 25mm Imperial 1"

## Fixing from Above



Minimum Mounting surface thickness : Metric 34mm Imperial 1 5/16"