

Flex

Assembly Instructions

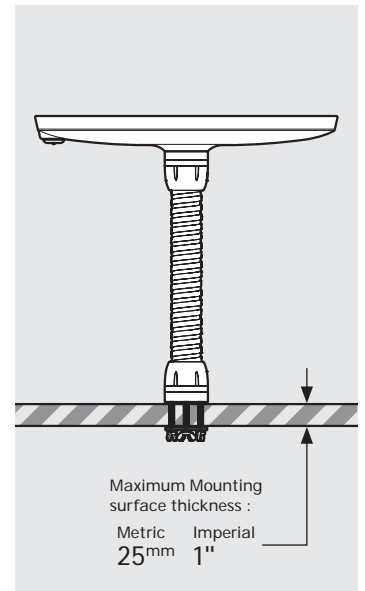
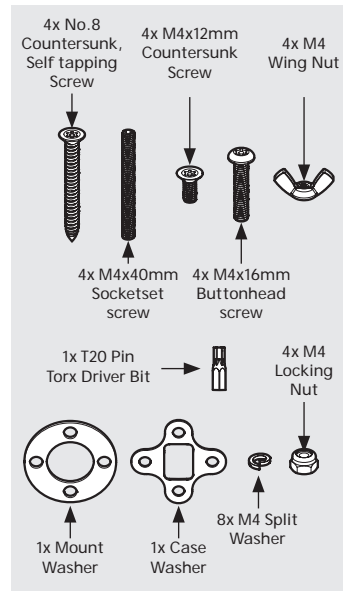
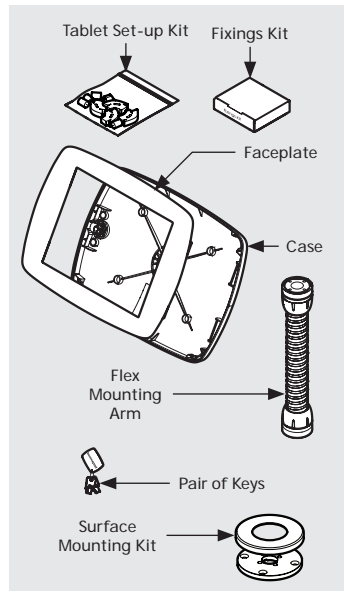
Tools Required:

- Pencil
- Electric Drill
- 7mm Spanner **or adjustable spanner*
- 5.0mm Drillbit **if fixing from below*
- 2.5mm Drillbit **if fixing from above*
- 16mm Holesaw **if routing the tablet cable through your mounting surface*
- Socket Driver

Sheet Code: BP-IM-031_REV2

Release Date: 28/10/2019

Copyright 2016 Spotspot Ltd. (T/A Bouncepad) all rights reserved. Confidential, no part of this publication may be reproduced or transmitted in any form without the written permission of the copyright holder.



In the Box

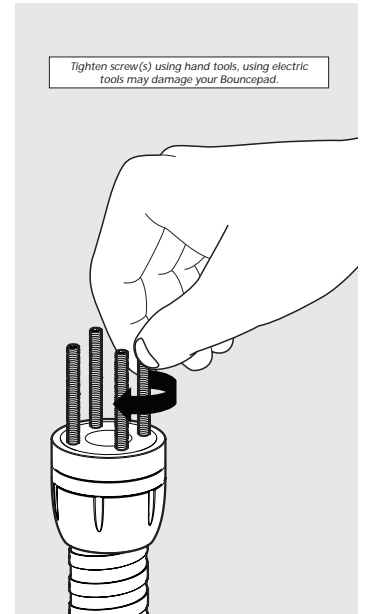
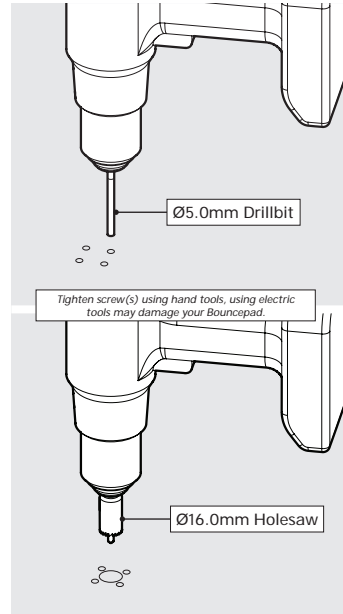
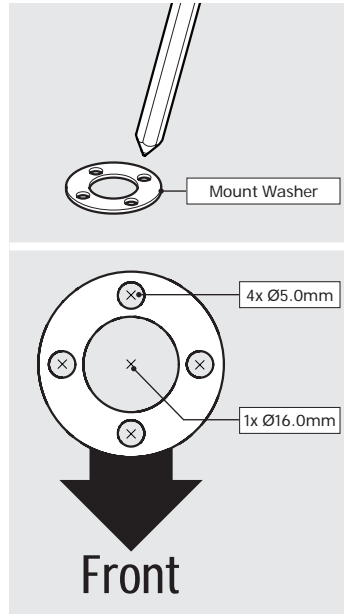
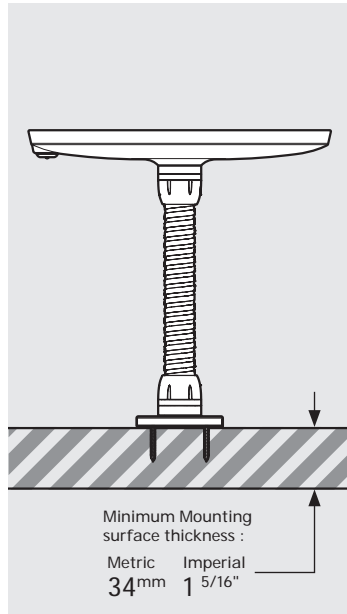


Fixings List

** Due to the modular nature of our product range you may receive additional fixings in the fixings kit*



Follow steps A if "Fixing from below".

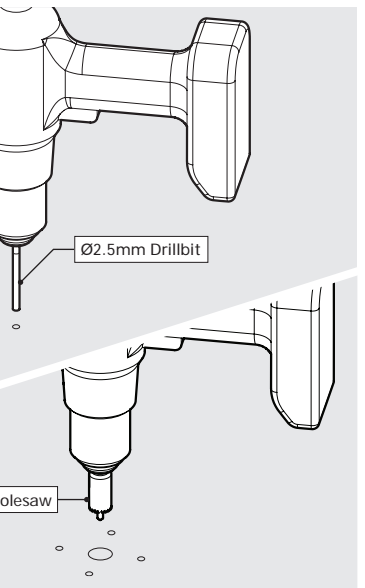
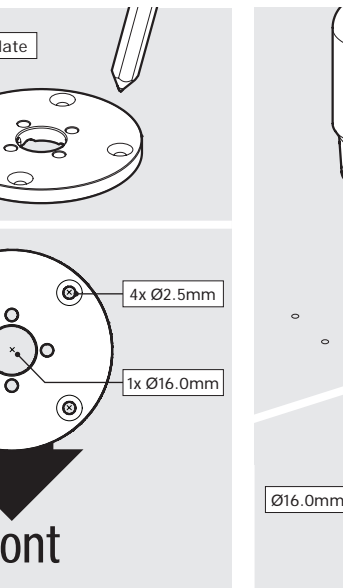
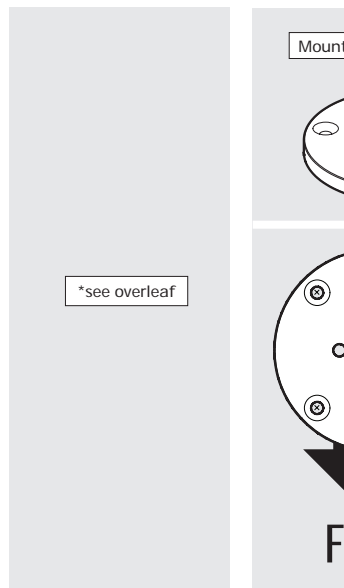
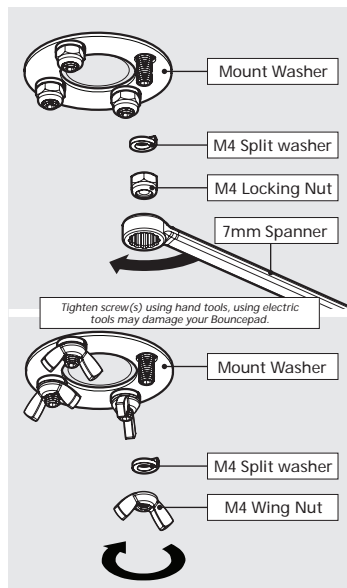


B Follow steps B if "Fixing from Above".

A1 Using the Mount washer, mark the drill hole locations as shown.

A2 Drill each hole - using the specified drill size.

A3 Locate and screw the Socket screws into one end of the Flex.

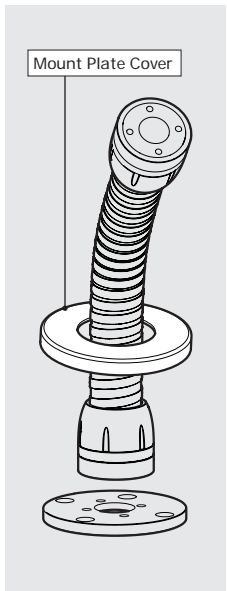


A4 Locate and secure to the surface. Locking Nuts offer higher security.

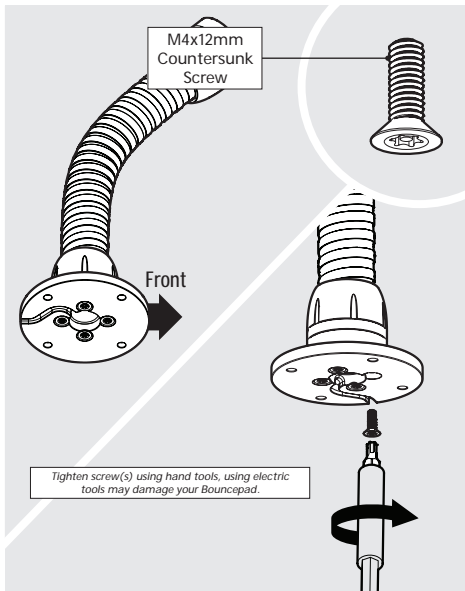
A5 Go to step 1.

B1 Using the Mount Plate, mark the drill hole locations as shown.

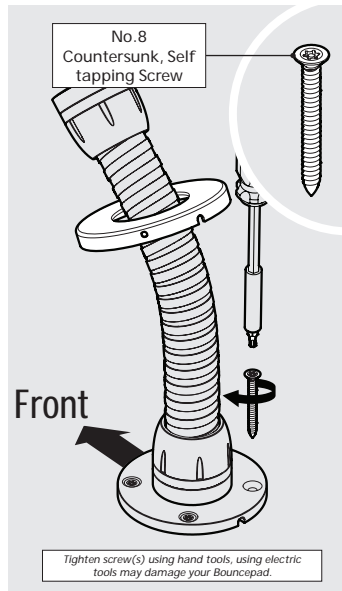
B2 Drill each hole - using the specified drill sizes.



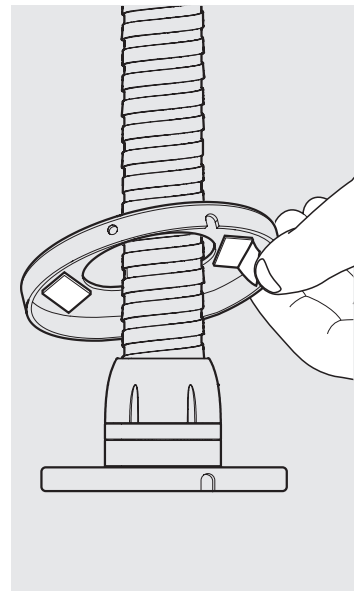
B3 Locate the Cover onto the Flex.



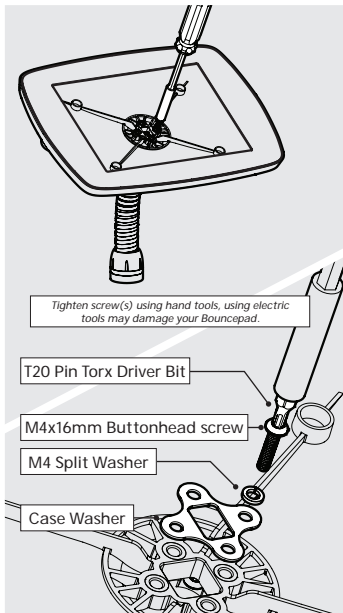
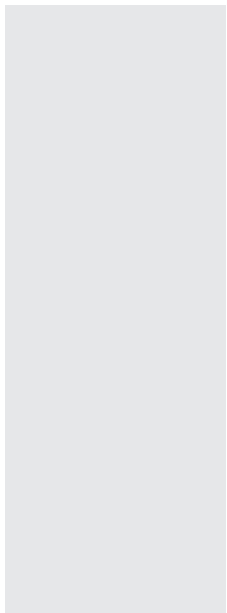
B4 Join the Flex Arm & Mount Plate in the orientation shown.



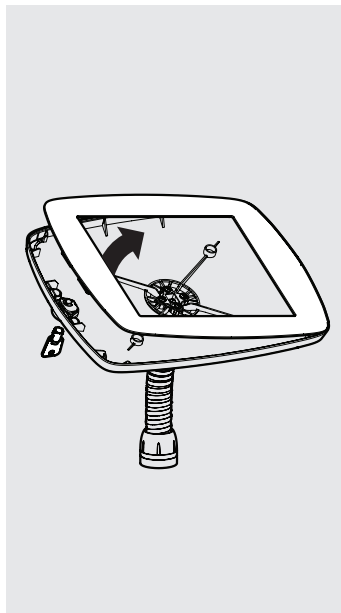
B5 Secure the Flex to the surface with the 4x countersunk screws.



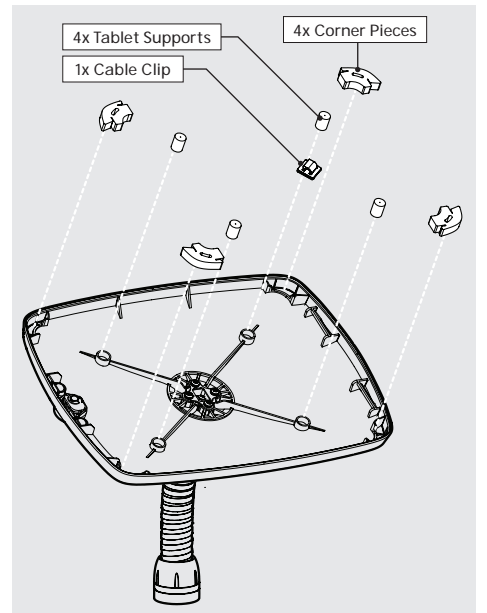
B6 Adhere the Mount Cover onto the Mount Plate with the adhesive tabs.



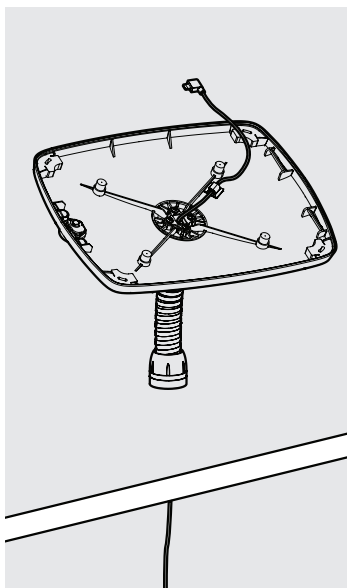
1 Locate and attach the Bouncepad Case to the Flex as shown.



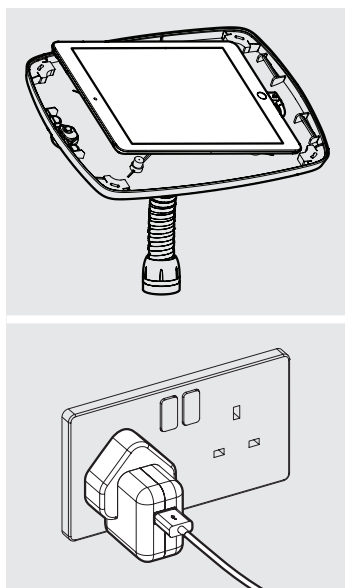
2 Unlock & remove the Faceplate from the Bouncepad Case.



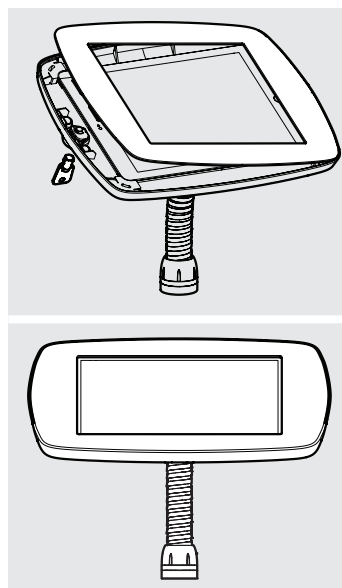
3 Install the Tablet Setup Kit. Each kit is specific per tablet device and Bouncepad Case.



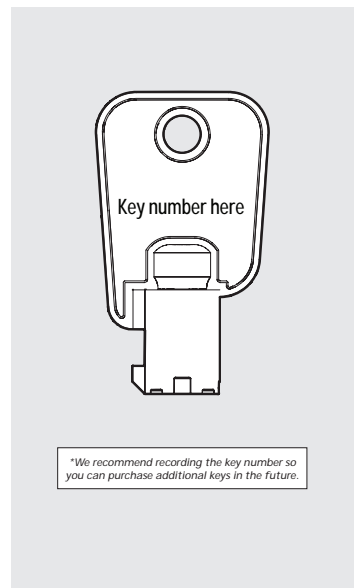
4 Feed the tablet cable through the Bouncepad Case & Flex.



5 Place the tablet into the Case and connect to power.



6 Locate & lock the Faceplate onto the Bouncepad Case.



7 Installation is now complete.