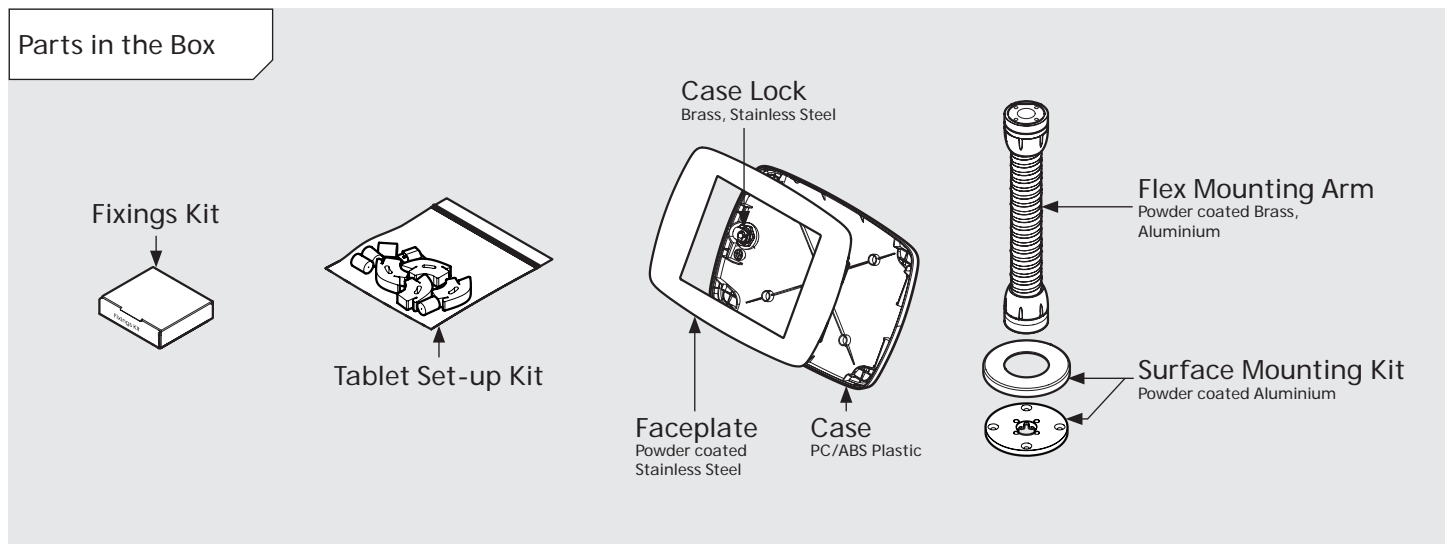
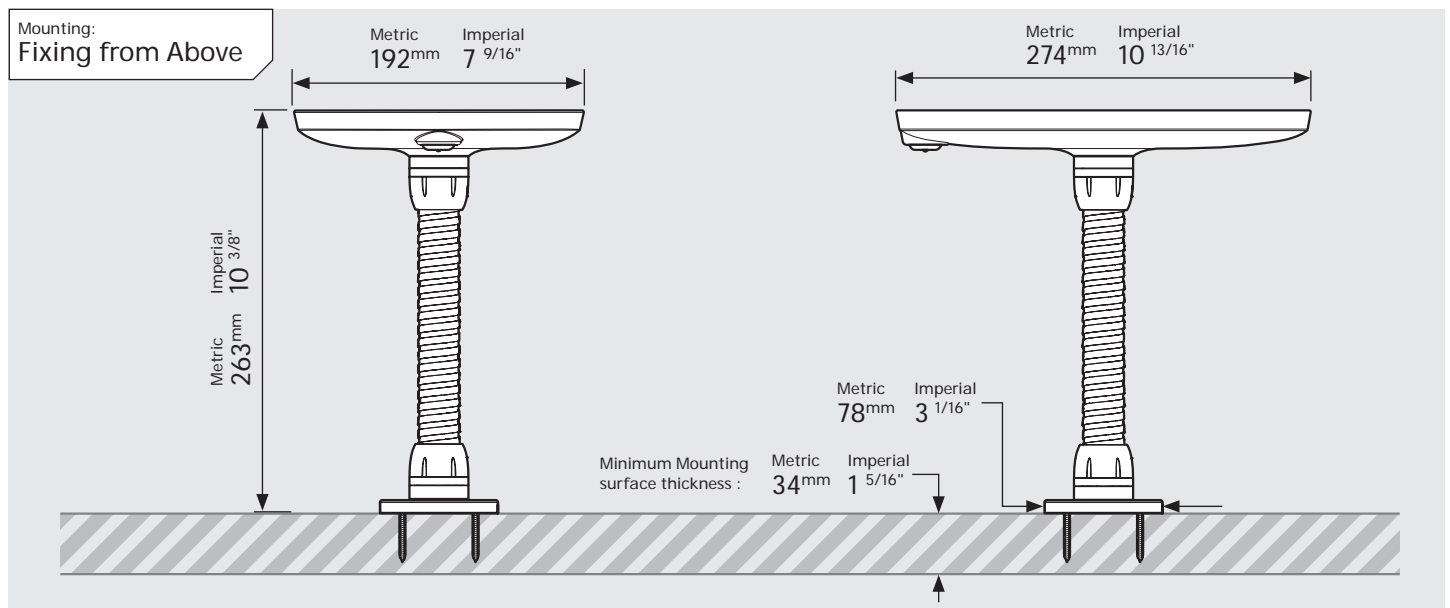
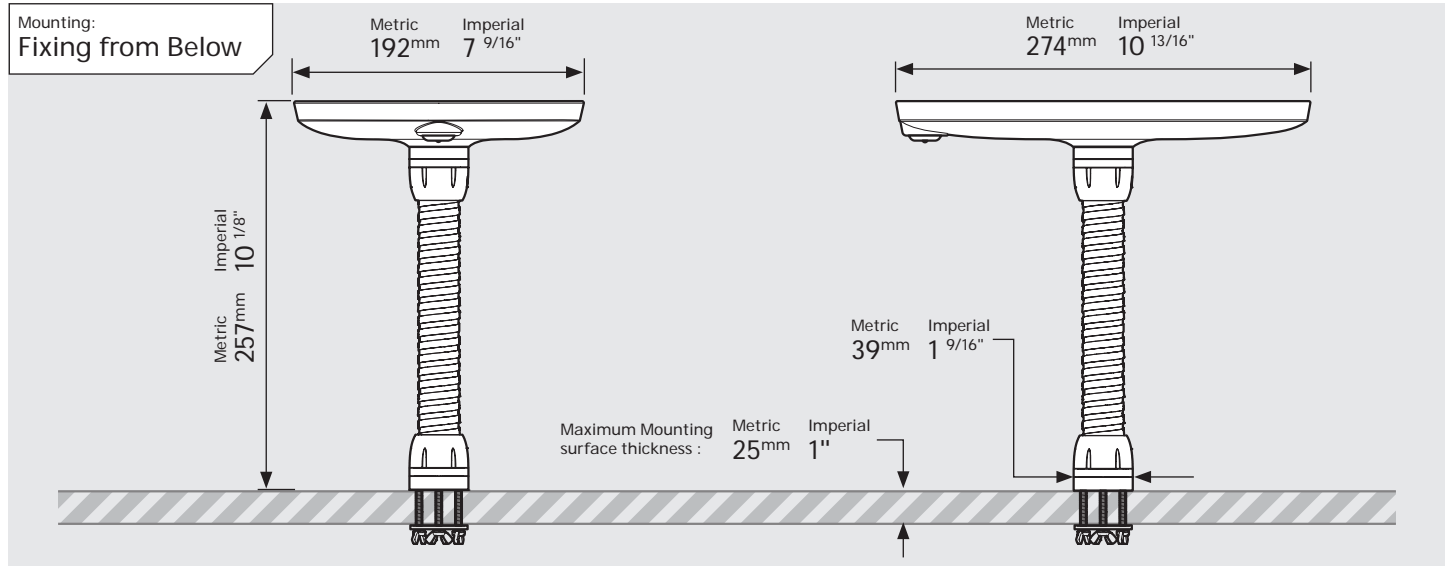


# PRODUCT DATA SHEET - FLEX (MINI CASE)

**bouncepad®**

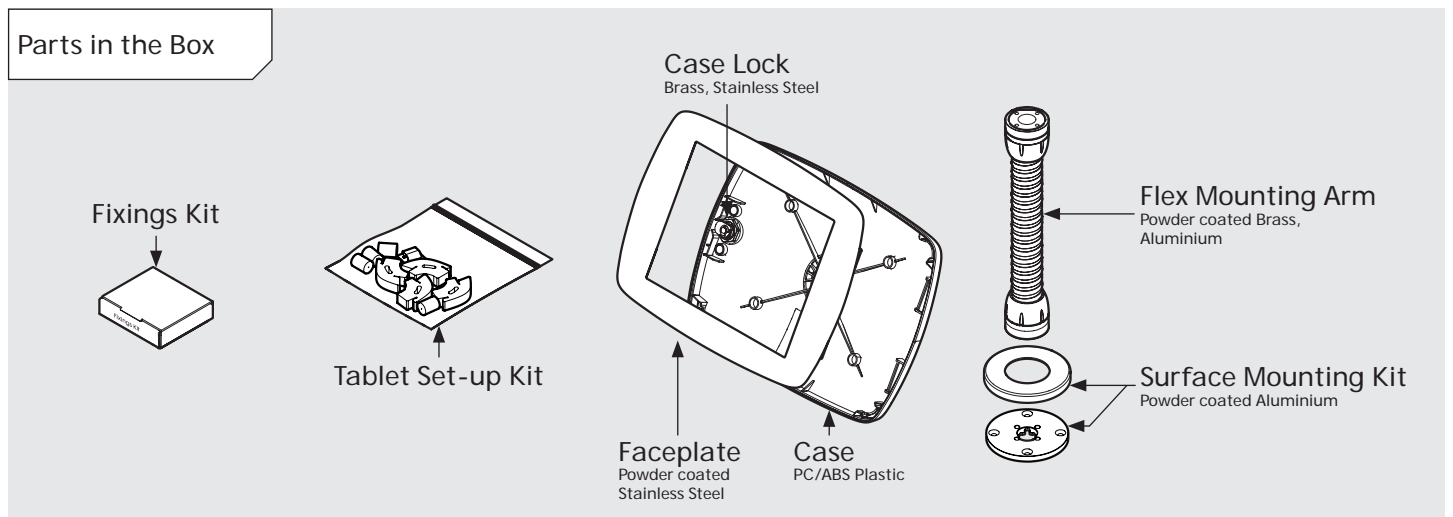
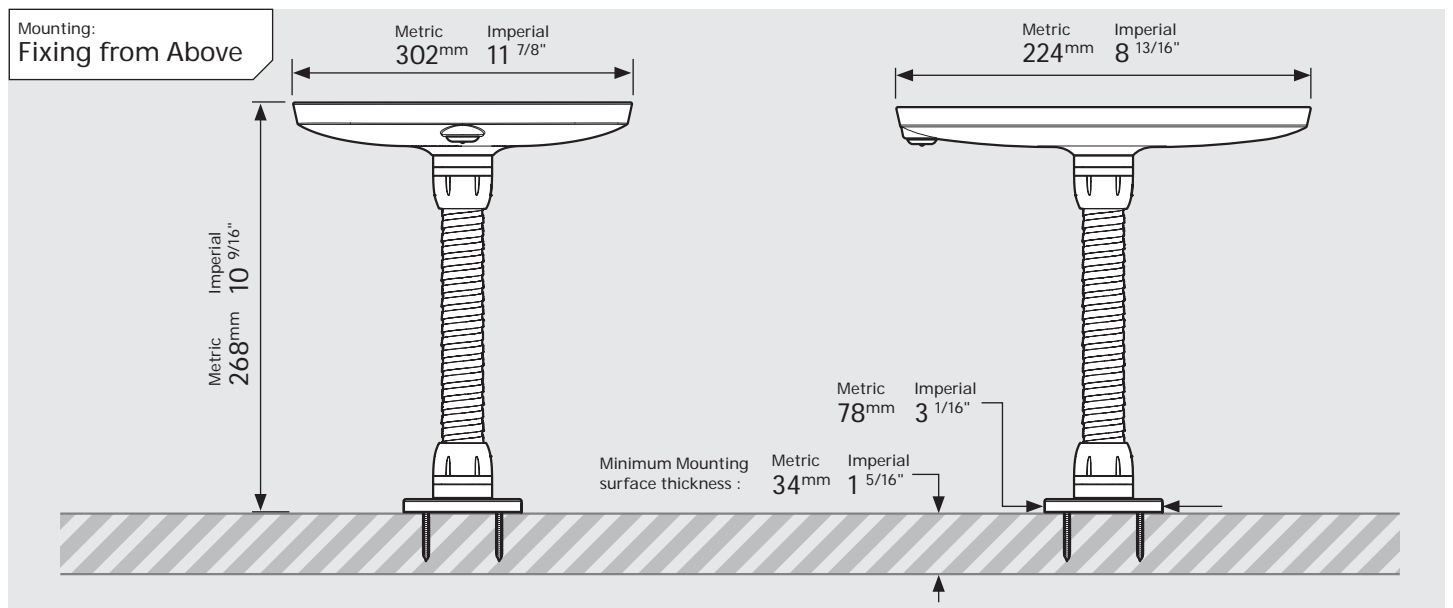
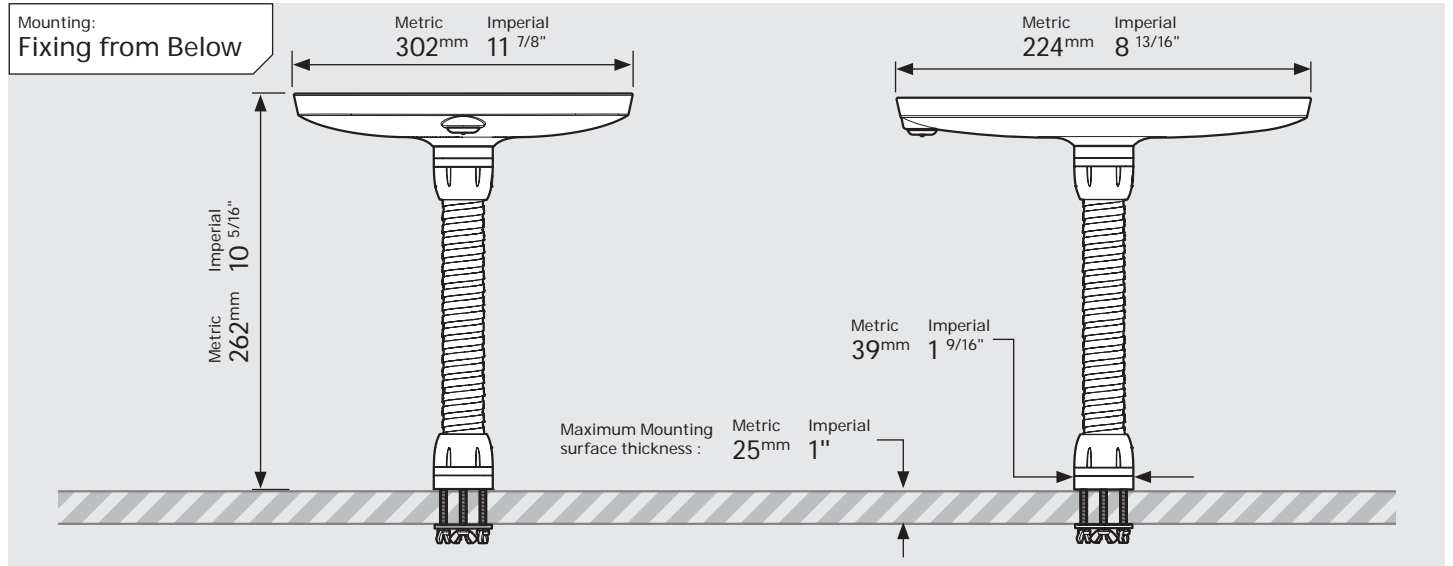
Case: Mini    Arm: Flex    Mounting: Fixing from Below / Fixing from Above    Packaged weight: 2.25kg    Colour: White / Black



# PRODUCT DATA SHEET - FLEX (MIDI CASE)

**bouncepad®**

Case: Midi    Arm: Flex    Mounting: Fixing from Below  
 Fixing from Above    Packaged weight: 2.43kg    Colour: White  
 Black

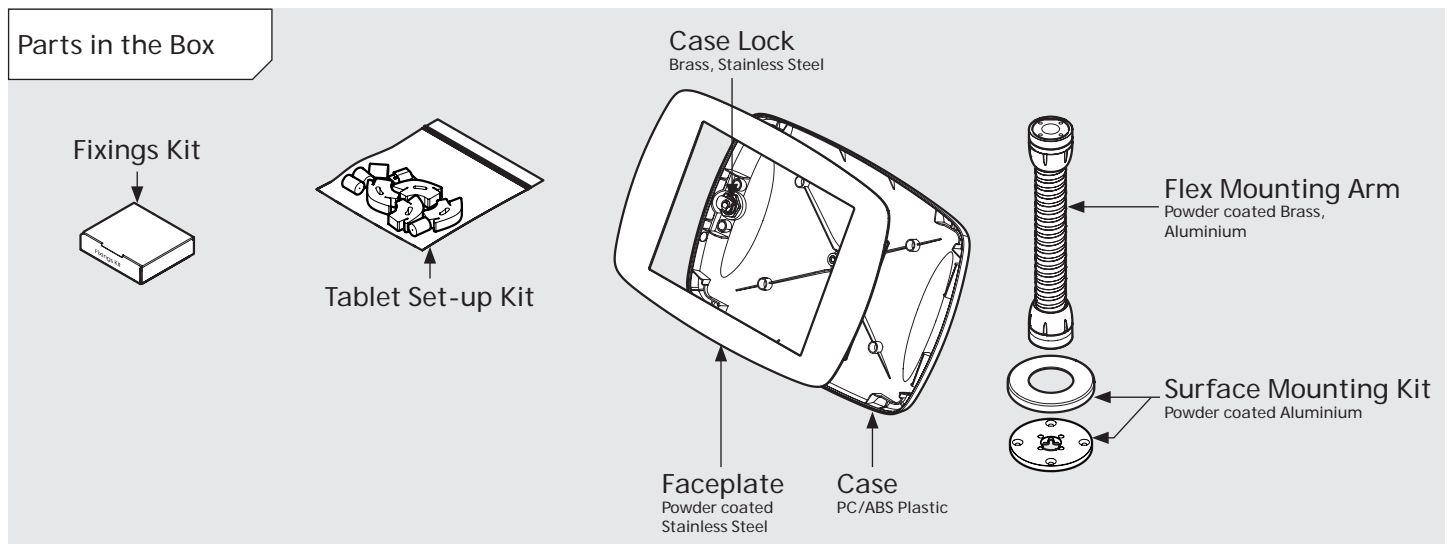
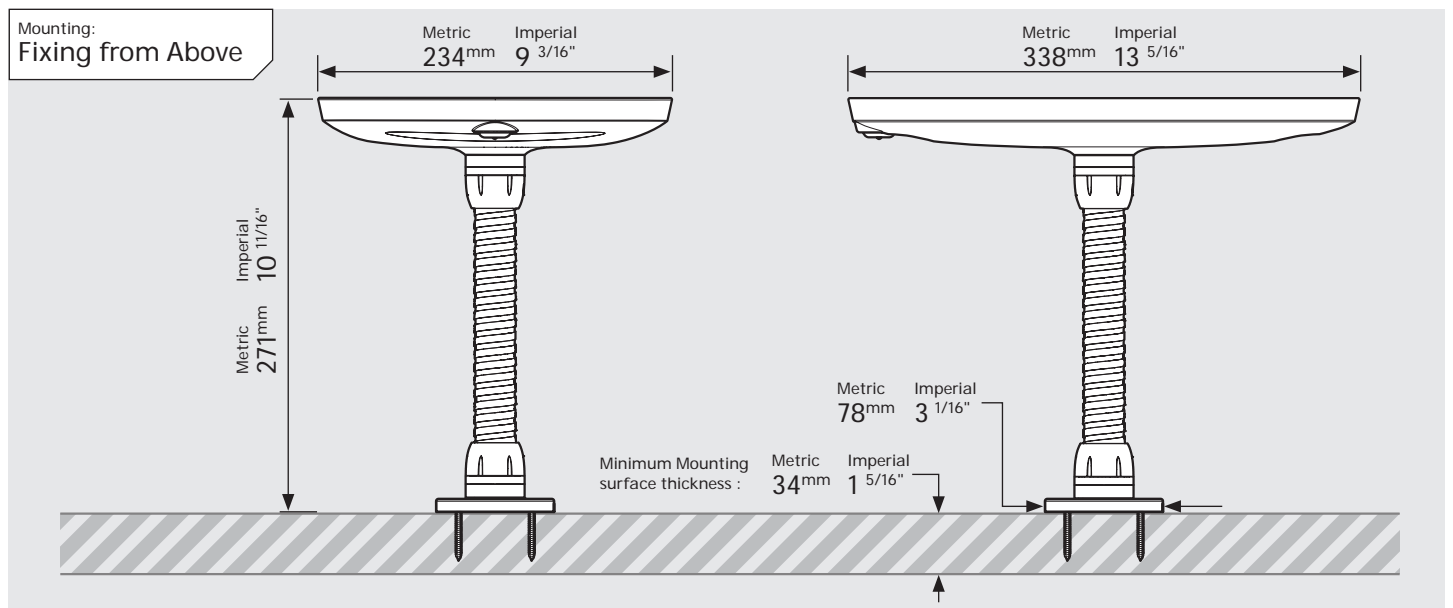
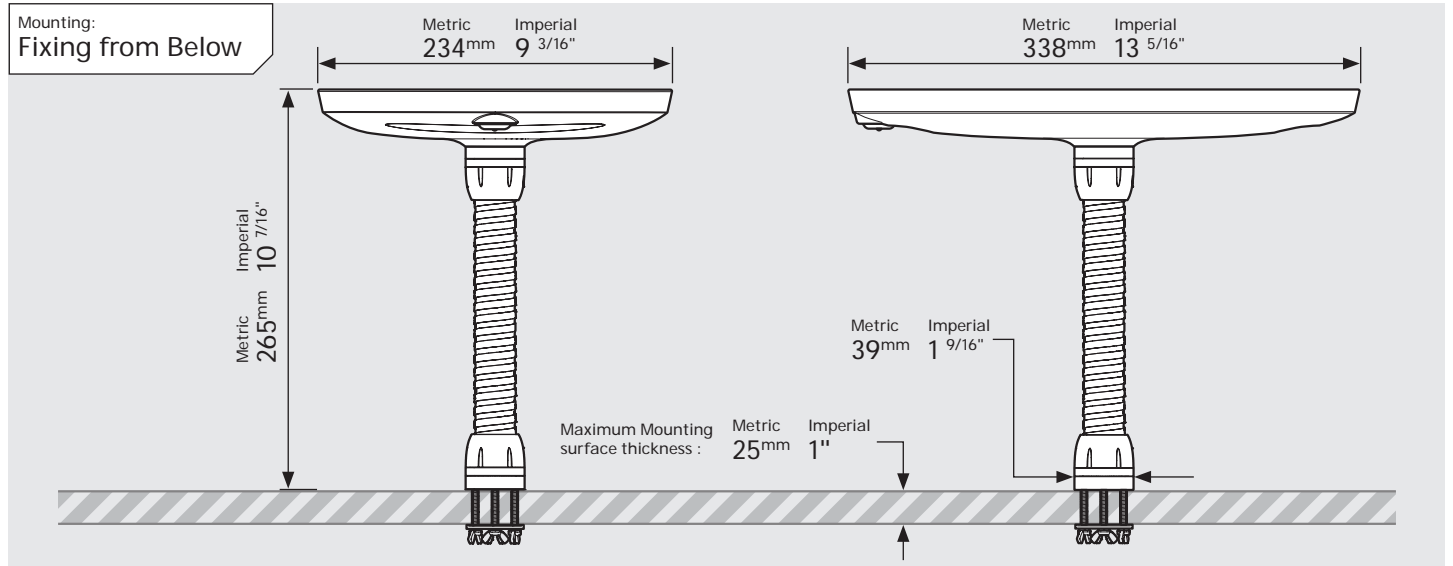


# PRODUCT DATA SHEET - FLEX (MAXI CASE)

**bouncepad®**

Case: Maxi    Arm: Flex    Mounting: Fixing from Below  
 Packaged weight: 2.66kg    Colour: White/Black

Mounting: Fixing from Above



# PRODUCT DATA SHEET - FLEX (MEGA CASE)

**bouncepad®**

Case: Mega    Arm: Flex    Mounting: Fixing from Below  
 Fixing from Above    Packaged weight: 3.05kg    Colour: White  
 Black

