

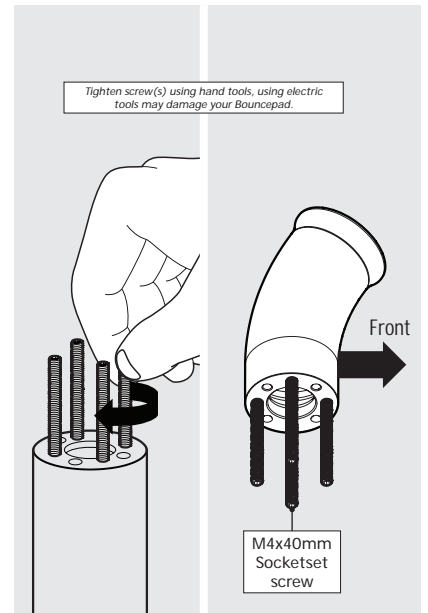
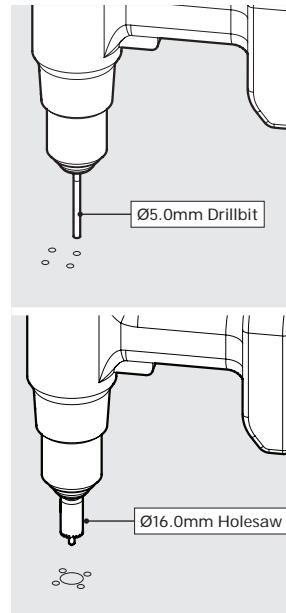
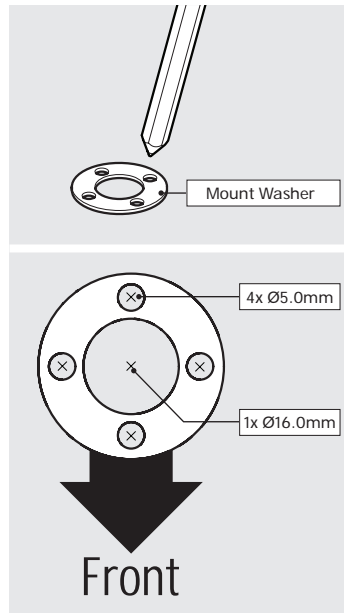
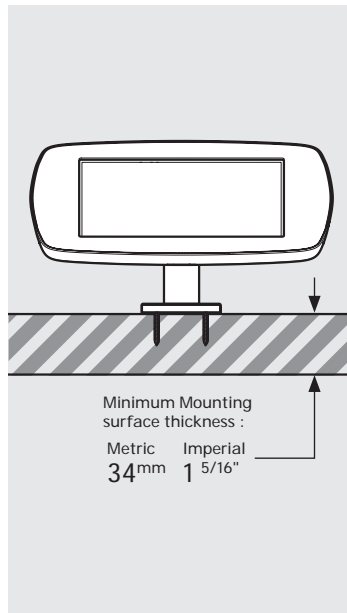
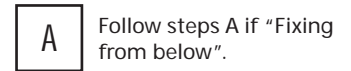
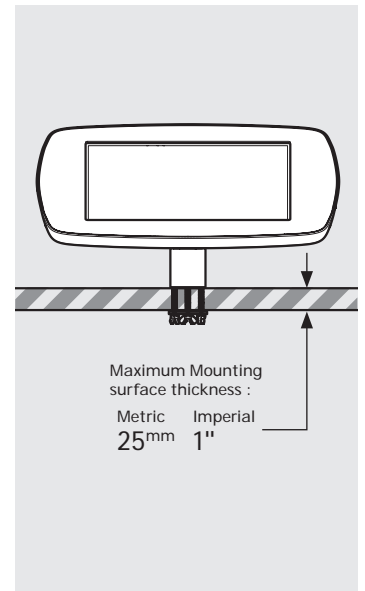
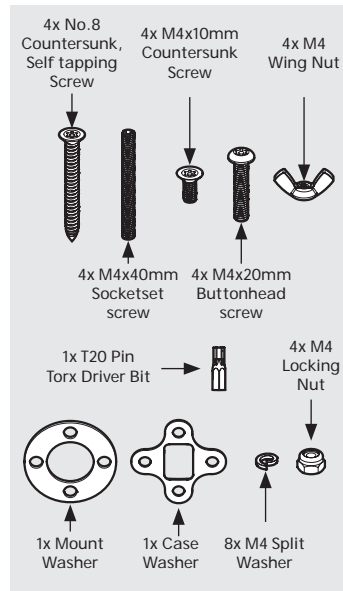
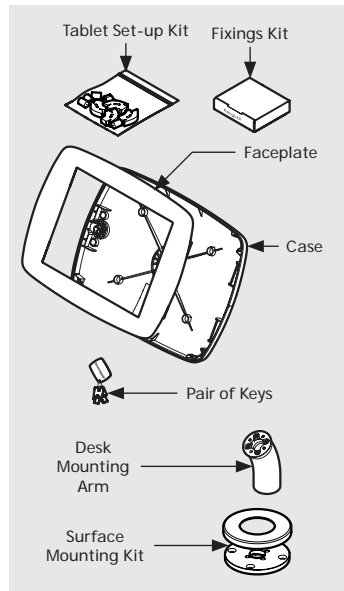
Desk Assembly Instructions

Tools Required:

- Pencil
- Electric Drill
- 7mm Spanner **or adjustable spanner*
- 5.0mm Drillbit **if fixing from below*
- 2.5mm Drillbit **if fixing from above*
- 16mm **if routing the tablet cable through your mounting surface*
- Holesaw
- Socket Driver

Sheet Code: BP-IM-028_REV2
Release Date: 23/10/2019

Copyright 2016 Spotspot Ltd. (T/A Bouncepad) all rights reserved. Confidential, no part of this publication may be reproduced or transmitted in any form without the written permission of the copyright holder.

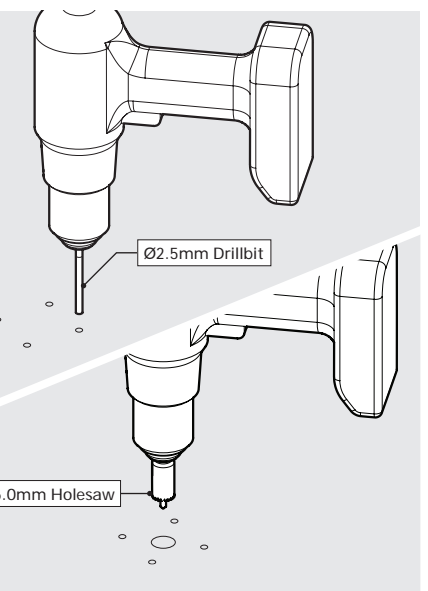
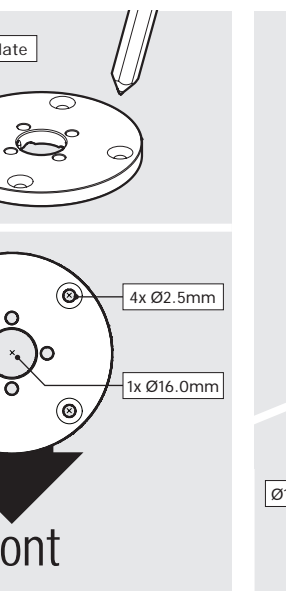
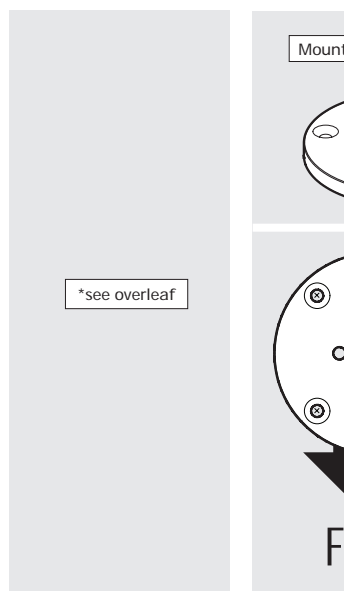
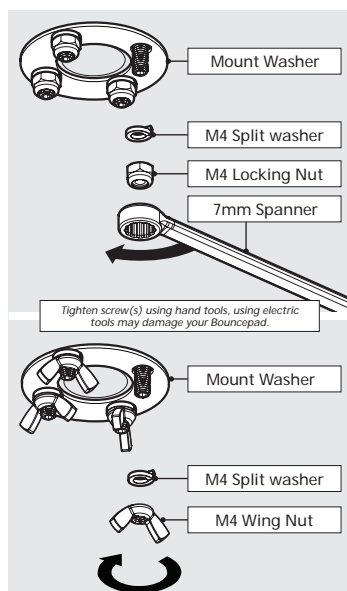


B Follow steps B if "Fixing from Above".

A1 Using the Mount washer, mark the drill hole locations as shown.

A2 Drill each hole - using the specified drill size.

A3 Locate and screw the Socket screws into the Desk as shown

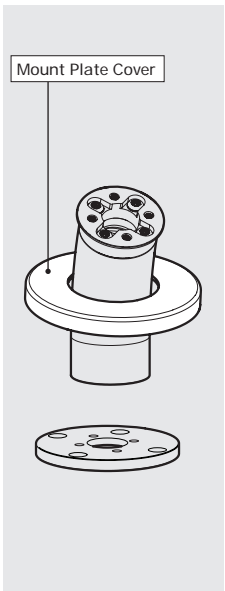


A4 Secure the arm to the surface. Locking Nuts offer higher security.

A5 Go to step 1.

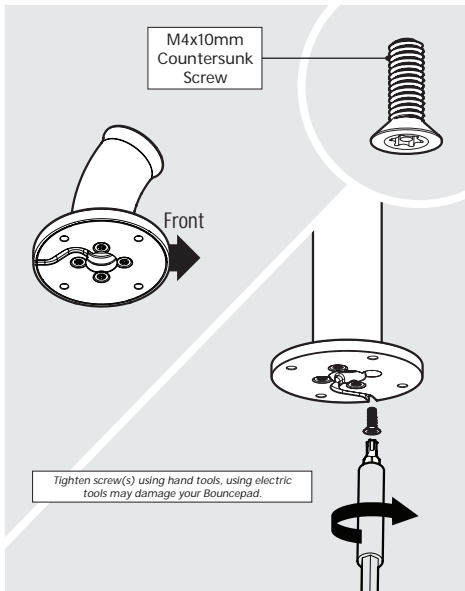
B1 Using the Mount Plate, mark the drill hole locations as shown.

B2 Drill each hole - using the specified drill sizes.



Mount Plate Cover

B3 Locate the Cover onto the Desk.

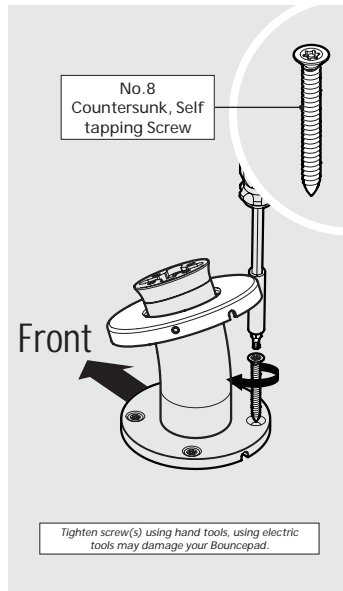


M4x10mm Countersunk Screw

Front

Tighten screw(s) using hand tools, using electric tools may damage your Bouncepad.

B4 Join the Desk Arm & Mount Plate in the orientation shown.

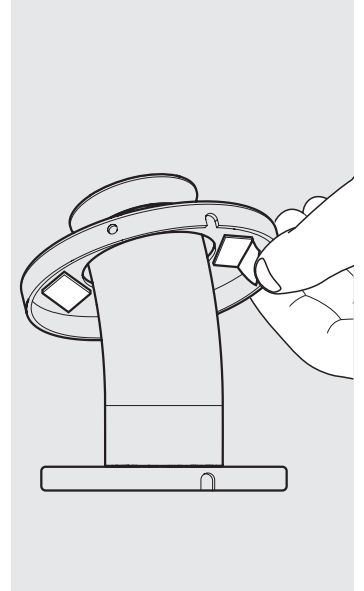


No. 8 Countersunk, Self tapping Screw

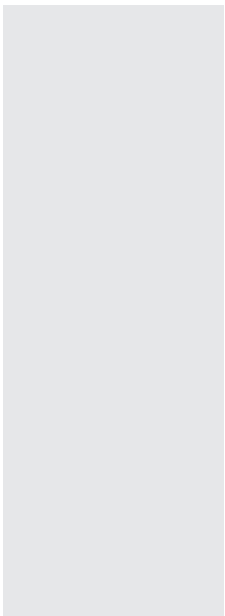
Front

Tighten screw(s) using hand tools, using electric tools may damage your Bouncepad.

B5 Secure the Desk to the surface with the 4x countersunk screws.



B6 Adhere the Mount Cover onto the Mount Plate with the adhesive tabs.



Tighten screw(s) using hand tools, using electric tools may damage your Bouncepad.

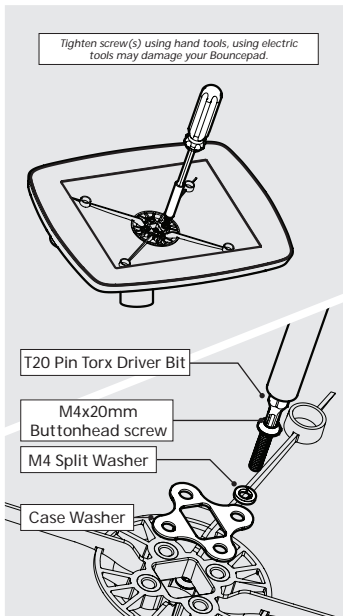
T20 Pin Torx Driver Bit

M4x20mm Buttonhead screw

M4 Split Washer

Case Washer

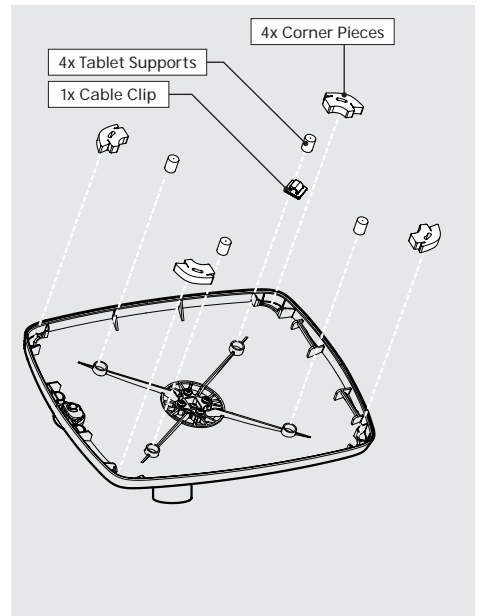
B7 Go to step 1.



1 Locate and attach the Bouncepad Case to the Desk as shown.



2 Unlock & remove the Faceplate from the Bouncepad Case.

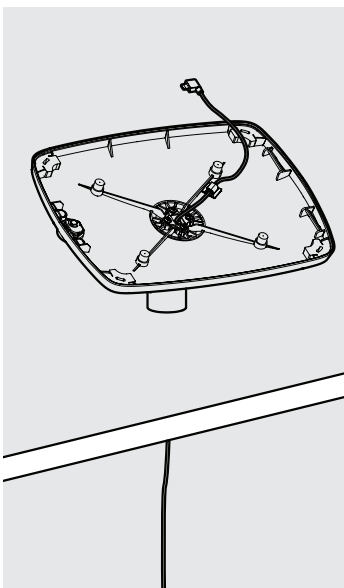


4x Tablet Supports

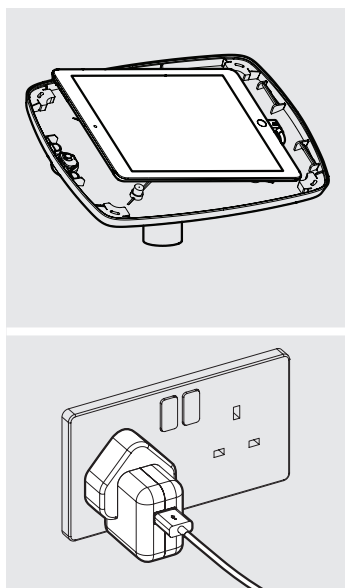
1x Cable Clip

4x Corner Pieces

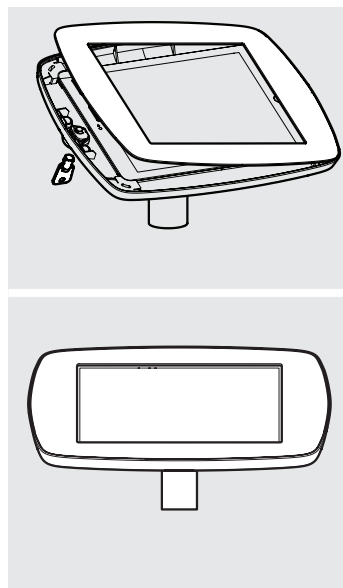
3 Install the Tablet Setup Kit. Each kit is specific per tablet device and Bouncepad Case.



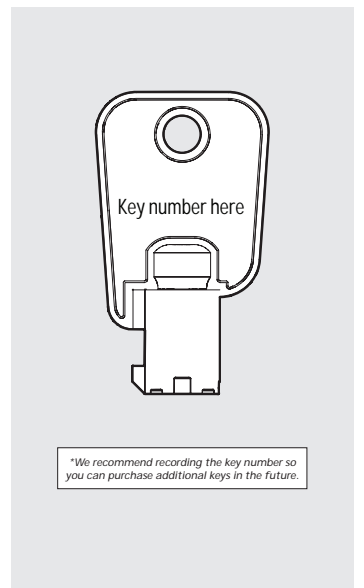
4 Feed the tablet cable through the Bouncepad Case & Flex.



5 Place the tablet into the Case and connect to power.



6 Locate & lock the Faceplate onto the Bouncepad Case.



7 Installation is now complete.

*We recommend recording the key number so you can purchase additional keys in the future.