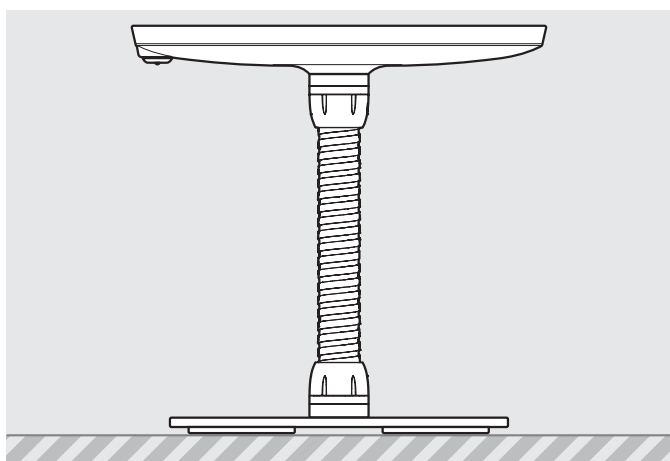


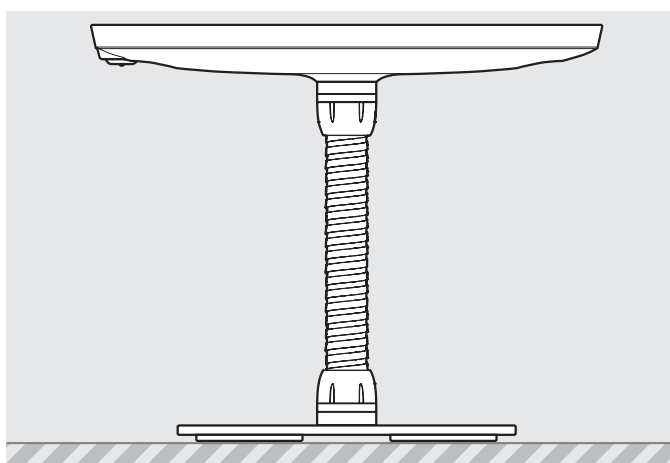
Mini Case supported devices:

- iPad Mini 1
- iPad Mini 2
- iPad Mini 3
- iPad Mini 4
- iPad Mini (2019)



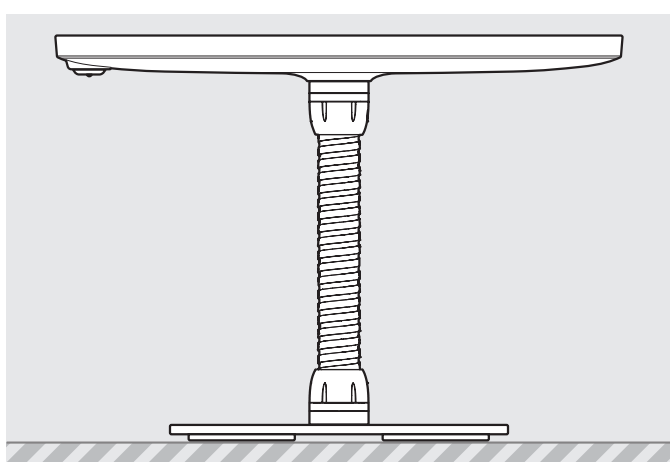
Midi Case supported devices:

- iPad 6th Gen
- iPad 5th Gen
- iPad 4th Gen
- iPad 3rd Gen
- iPad Pro 9.7
- iPad Air 1
- iPad Air 2
- Samsung Tab S2 9.7
- Samsung Tab S3 9.7
- Samsung Tab A 9.7



Maxi Case supported devices:

- iPad Pro 10.5
- iPad Pro 11.0
- iPad Air (2019)
- Samsung Tab A6 10.1
- Samsung Tab A 10.1
- Samsung Tab A 10.5
- Samsung Tab 4 10.1
- Microsoft Surface Go



Mega Case supported devices:

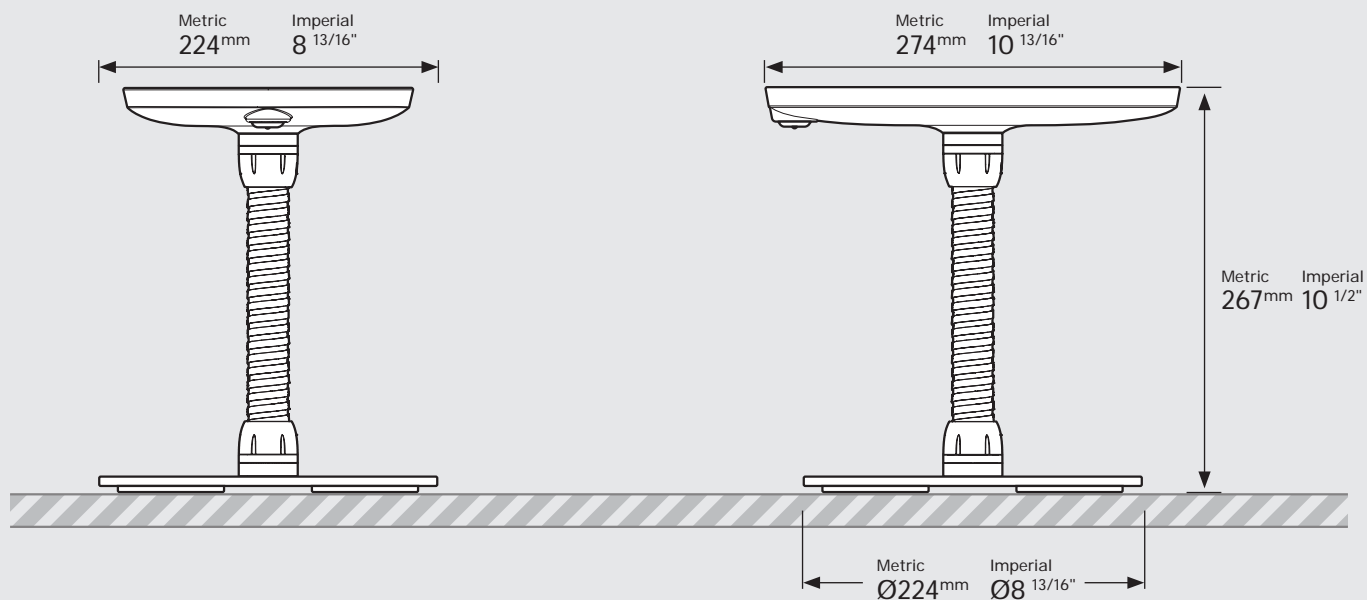
- iPad Pro 12.9" 1st Gen
- iPad Pro 12.9" 2nd Gen
- iPad Pro 12.9" 3rd Gen
- Microsoft Surface Pro 4
- Microsoft Surface Pro 5

# PRODUCT DATA SHEET - BOUNCEPAD COUNTER FLEX

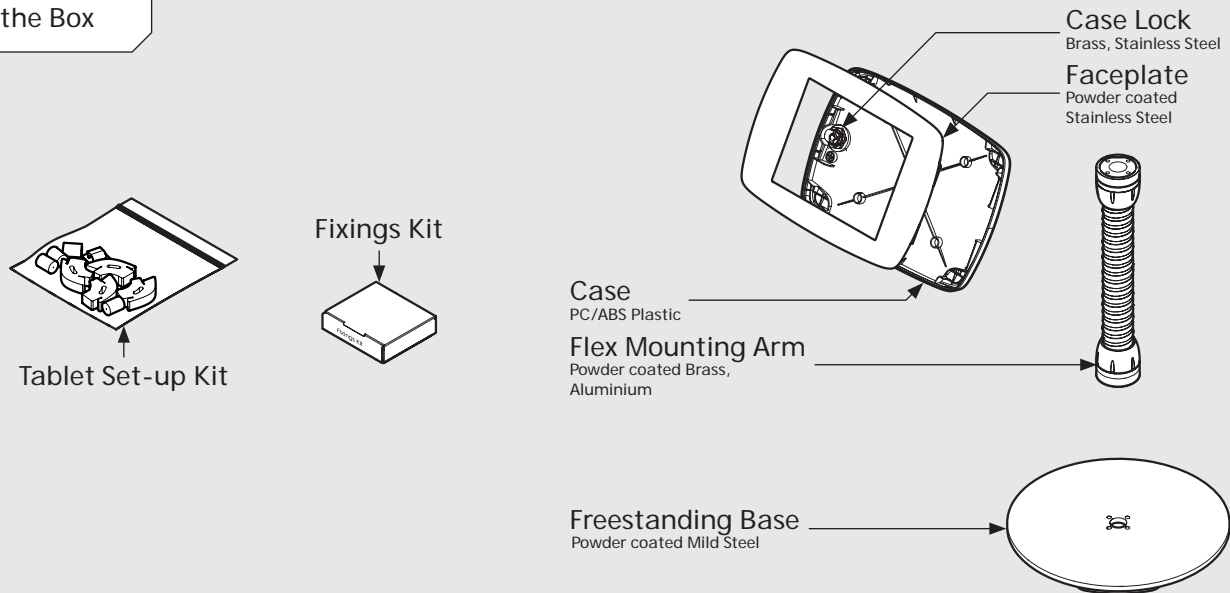
**bouncepad**<sup>®</sup>

Case: Mini    Arm: Flex    Mounting: Freestanding Base    Packaged weight: 4.1kg    Colour: White/Black

## Dimensions



## Parts in the Box

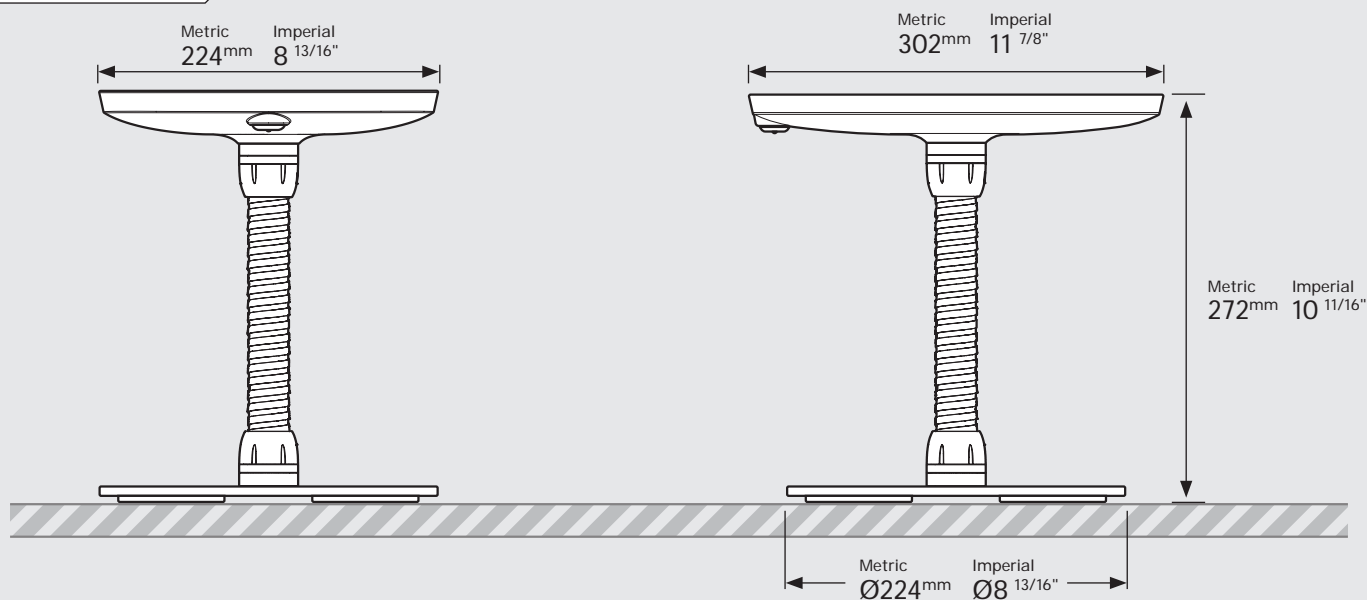


# PRODUCT DATA SHEET - BOUNCEPAD COUNTER FLEX

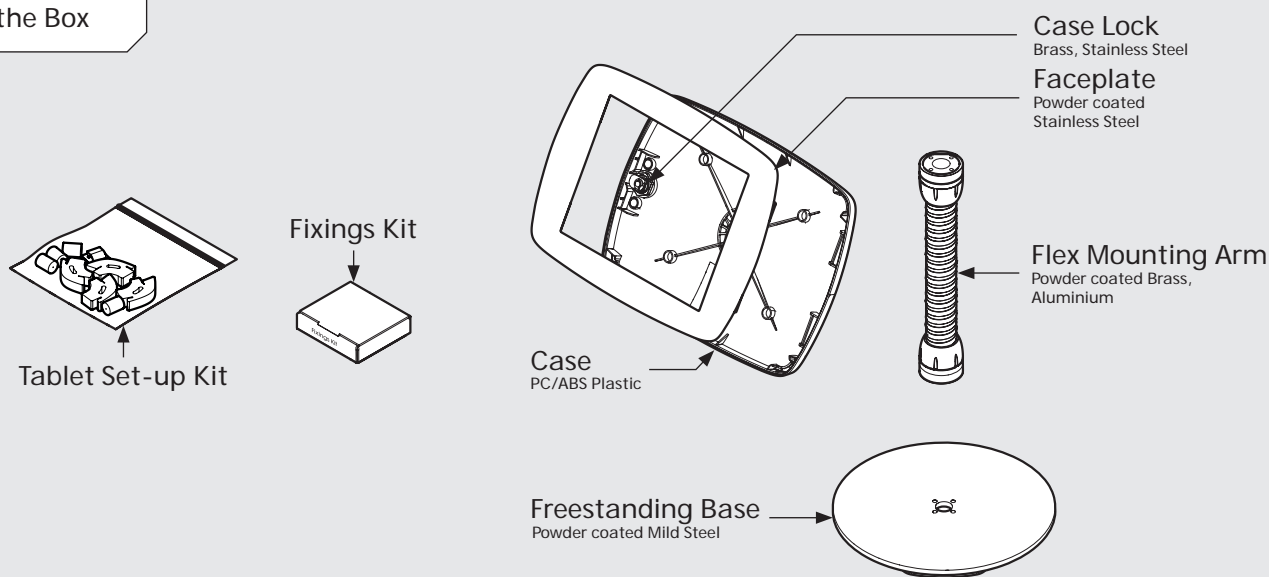
**bouncepad**<sup>®</sup>

Case: **Midi**    Arm: **Flex**    Mounting: **Freestanding Base**    Packaged weight: **4.3kg**    Colour: **White/Black**

## Dimensions



## Parts in the Box

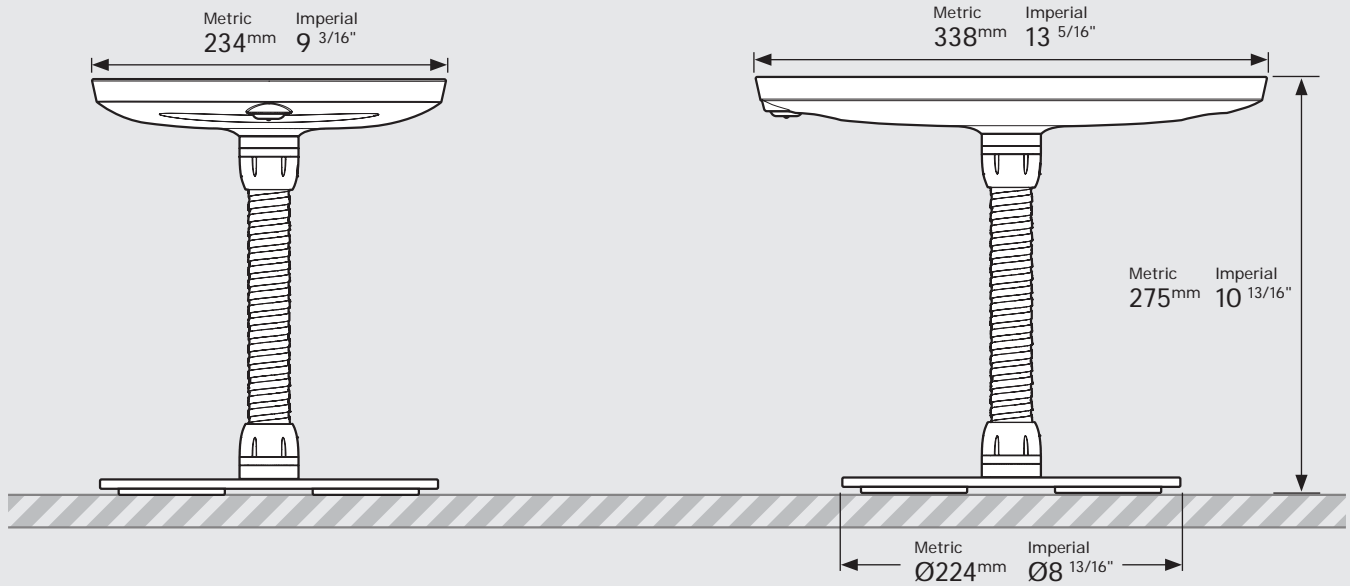


# PRODUCT DATA SHEET - BOUNCEPAD COUNTER FLEX

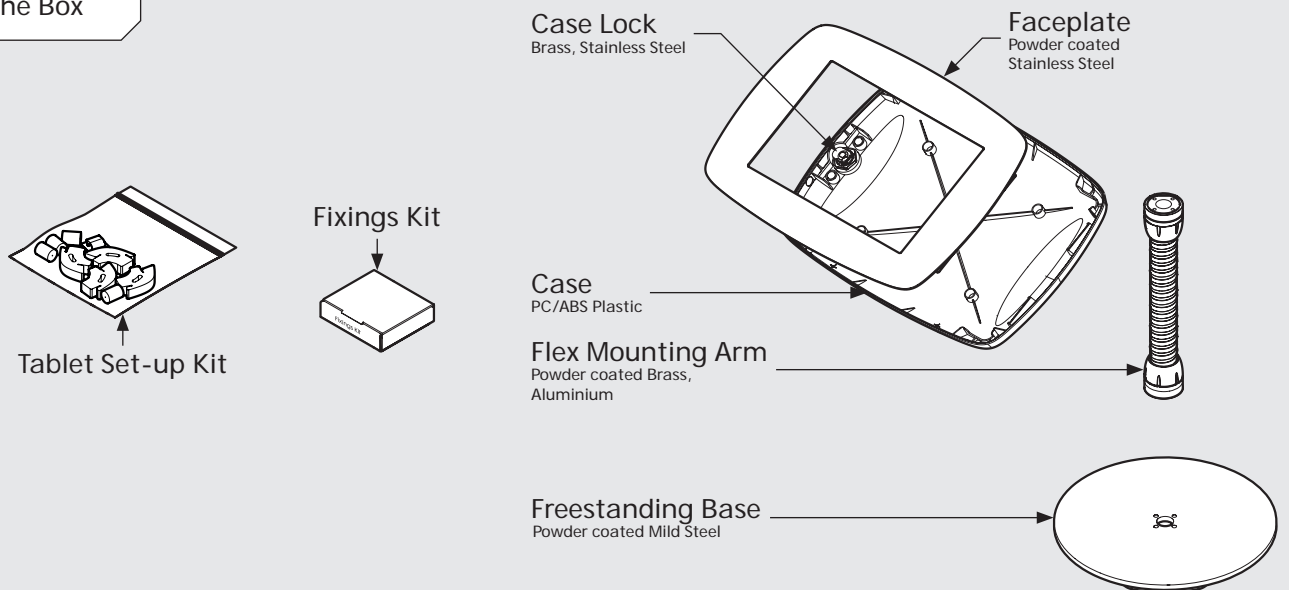
**bouncepad**<sup>®</sup>

Case: **Maxi**    Arm: **Flex**    Mounting: **Freestanding Base**    Packaged weight: **4.5kg**    Colour: **White/Black**

## Dimensions



## Parts in the Box



# PRODUCT DATA SHEET - BOUNCEPAD COUNTER FLEX

**bouncepad**<sup>®</sup>

Case: Mega    Arm: Flex    Mounting: Freestanding Base    Packaged weight: 5.0kg    Colour: White / Black

