

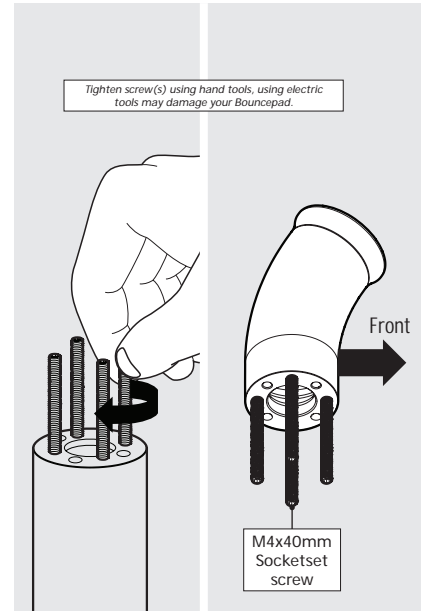
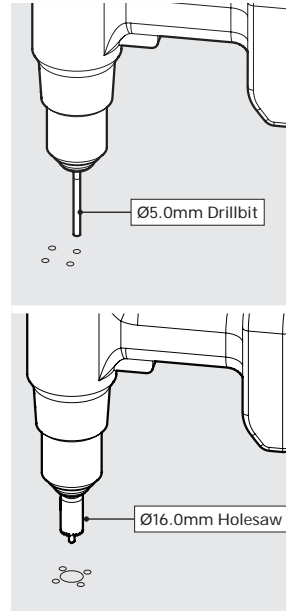
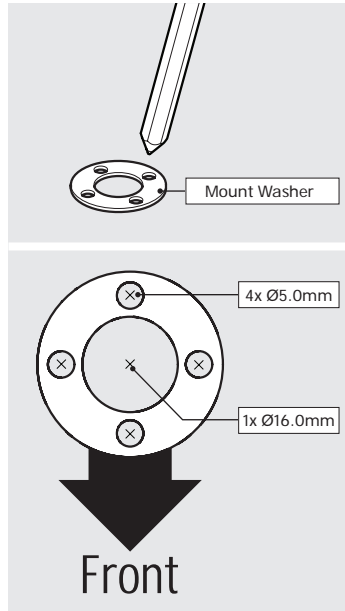
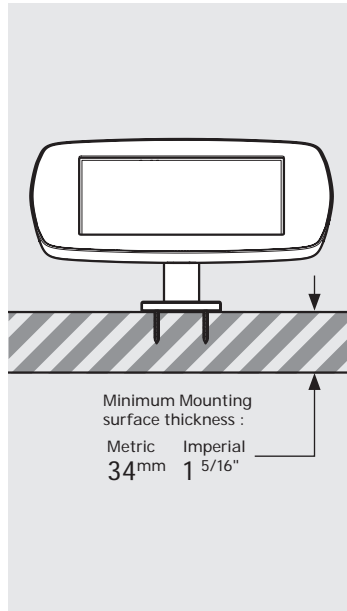
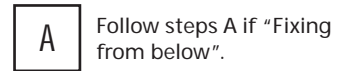
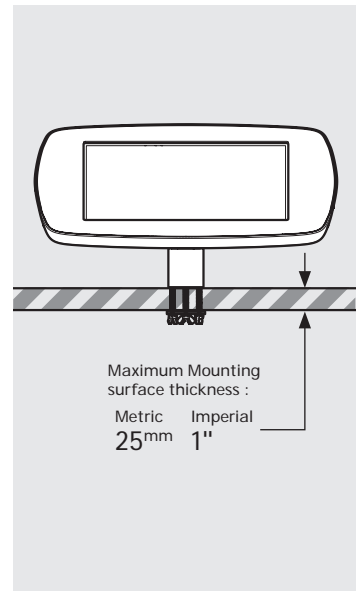
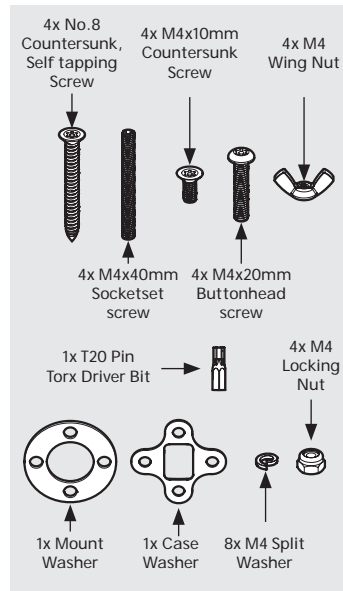
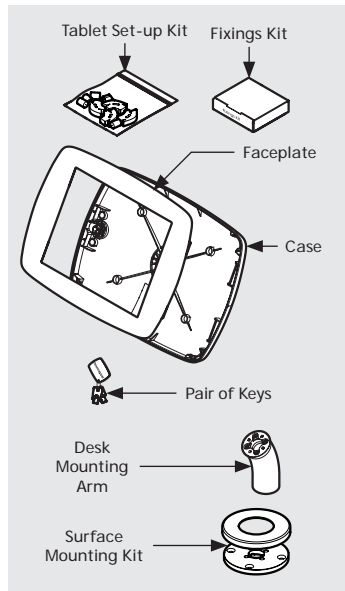
## Desk Assembly Instructions

### Tools Required:

- Pencil
- Electric Drill
- 7mm Spanner *\*or adjustable spanner*
- 5.0mm Drillbit *\*if fixing from below*
- 2.5mm Drillbit *\*if fixing from above*
- 16mm *\*if routing the tablet cable through your mounting surface*
- Holesaw
- Socket Driver

Sheet Code: BP-IM-028\_REV2  
Release Date: 23/10/2019

Copyright 2016 Spotspot Ltd. (T/A Bouncepad) all rights reserved. Confidential, no part of this publication may be reproduced or transmitted in any form without the written permission of the copyright holder.

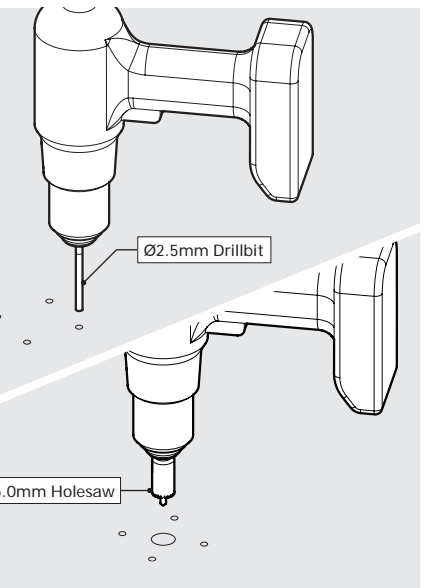
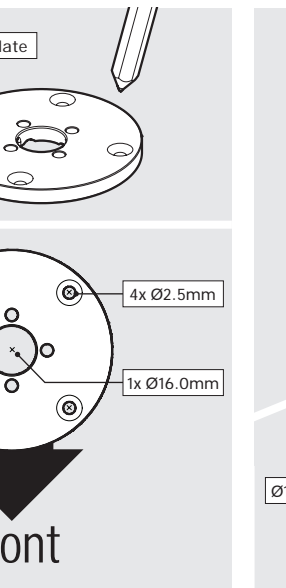
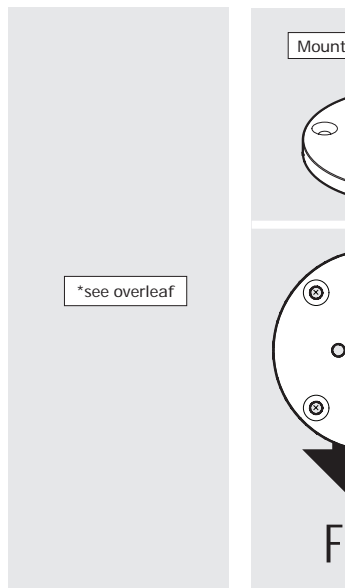
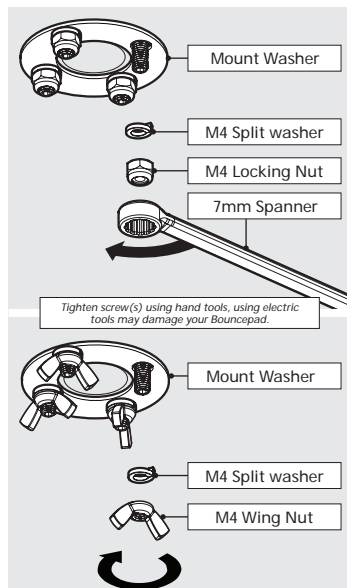


**B** Follow steps B if "Fixing from Above".

**A1** Using the Mount washer, mark the drill hole locations as shown.

**A2** Drill each hole - using the specified drill size.

**A3** Locate and screw the Socket screws into the Desk as shown

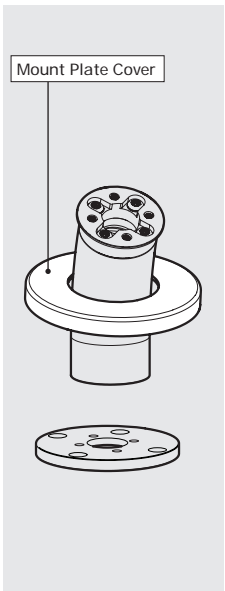


**A4** Secure the arm to the surface. Locking Nuts offer higher security.

**A5** Go to step 1.

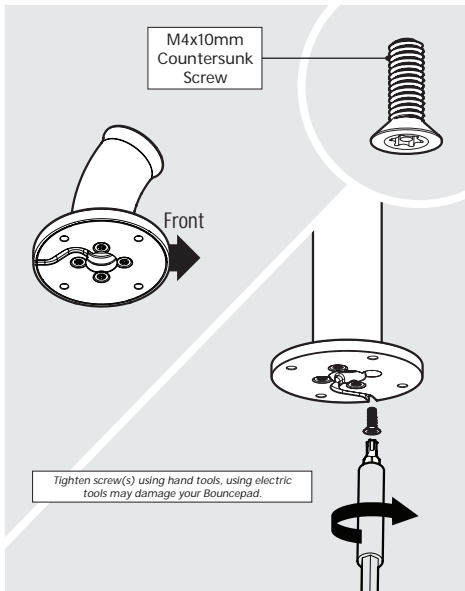
**B1** Using the Mount Plate, mark the drill hole locations as shown.

**B2** Drill each hole - using the specified drill sizes.



Mount Plate Cover

**B3** Locate the Cover onto the Desk.

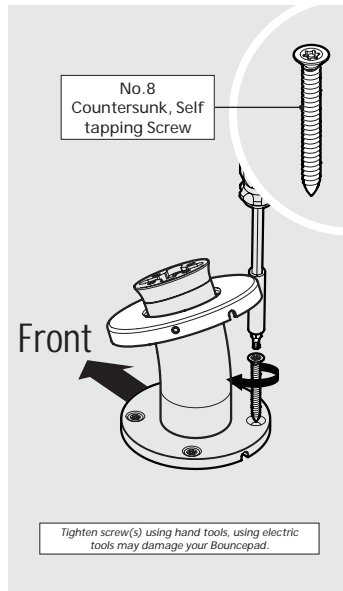


M4x10mm Countersunk Screw

Front

*Tighten screw(s) using hand tools, using electric tools may damage your Bouncepad.*

**B4** Join the Desk Arm & Mount Plate in the orientation shown.

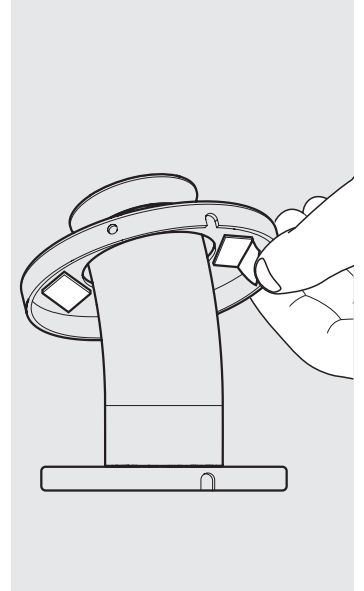


No. 8 Countersunk, Self tapping Screw

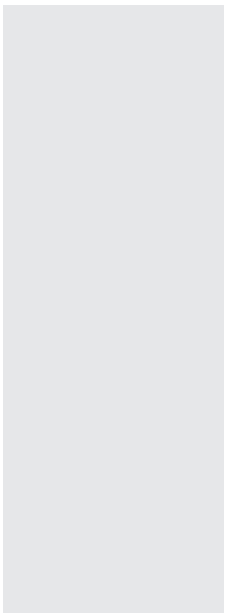
Front

*Tighten screw(s) using hand tools, using electric tools may damage your Bouncepad.*

**B5** Secure the Desk to the surface with the 4x countersunk screws.



**B6** Adhere the Mount Cover onto the Mount Plate with the adhesive tabs.



*Tighten screw(s) using hand tools, using electric tools may damage your Bouncepad.*

T20 Pin Torx Driver Bit

M4x20mm Buttonhead screw

M4 Split Washer

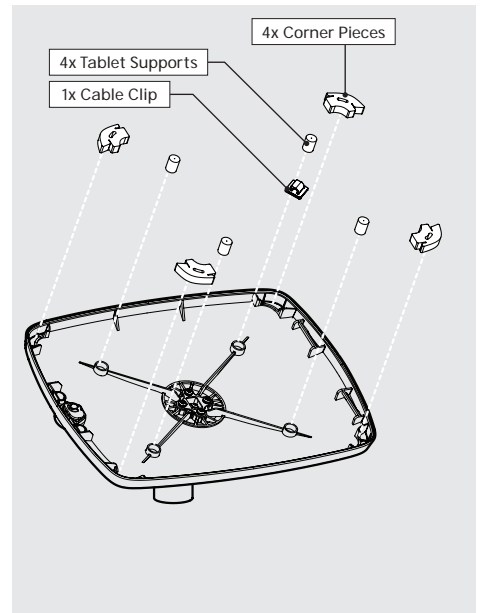
Case Washer

**B7** Go to step 1.

**1** Locate and attach the Bouncepad Case to the Desk as shown.



**2** Unlock & remove the Faceplate from the Bouncepad Case.

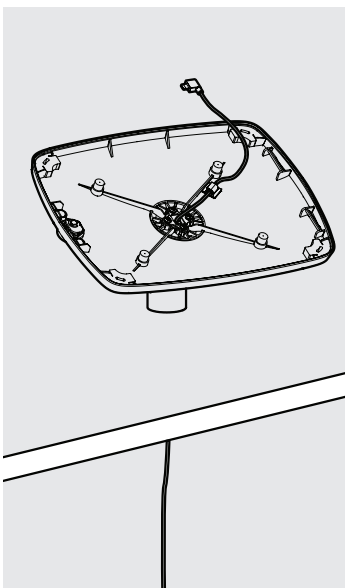


4x Tablet Supports

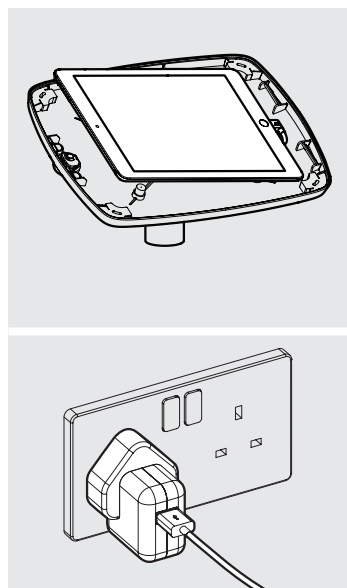
1x Cable Clip

4x Corner Pieces

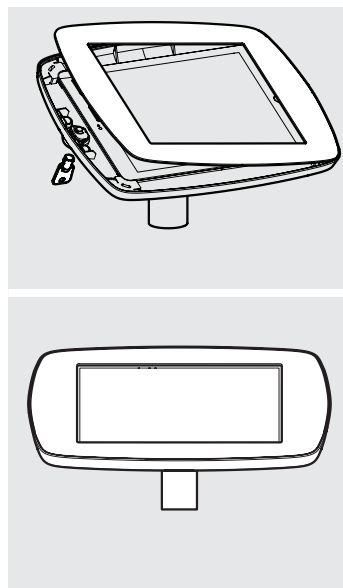
**3** Install the Tablet Setup Kit. Each kit is specific per tablet device and Bouncepad Case.



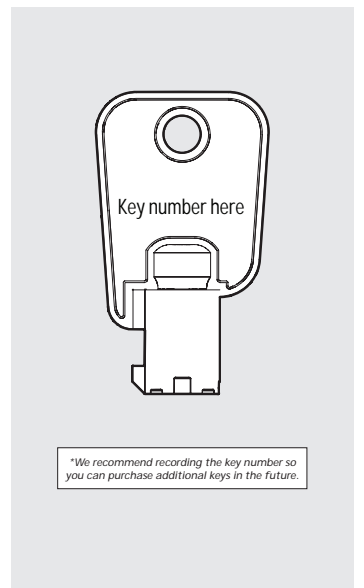
**4** Feed the tablet cable through the Bouncepad Case & Flex.



**5** Place the tablet into the Case and connect to power.



**6** Locate & lock the Faceplate onto the Bouncepad Case.



**7** Installation is now complete.