



SFX L POWER

COMPACT AND SILENT ENERGY

600W • 500W

IDEAL APPLICATIONS

Mini ITX and ATX PCs
Compact gaming systems
Office applications
Multimedia and home theater systems

HIGHLIGHTS

80PLUS® Gold efficiency
120mm high-quality fan
Convenient full cable management
SFX-to-ATX PSU adapter bracket

Compact and Silent Energy

be quiet! SFX L Power PSUs are especially recommended for mini ITX PCs and compact gaming systems. They perform well beyond the ordinary, with a great combination of quietness, features, reliability and efficiency.

Highlights »

- 80PLUS® Gold certification with up to 92% power conversion efficiency
- Multi-GPU support with four PCIe connectors
- Full cable management for build flexibility and convenient usage
- Silent, temperature-controlled 120mm high-quality fan
- LLC, Synchronous Rectifier (SR) and DC-to-DC power conversion circuit design supports stability and efficiency
- High-quality Japanese capacitors for maximum reliability and operating life
- Powerful 12V-rail design for high stability and performance
- SFX-to-ATX adapter bracket allows flexible use with larger case sizes
- Black flat cables of up to 80cm for improved cooling
- 3-year manufacturer's warranty
- Product conception, design and quality control in Germany

SFX L Power »

Performs well beyond the ordinary, with a great combination of quietness, features, reliability and efficiency.

+ FULL CABLE MANAGEMENT

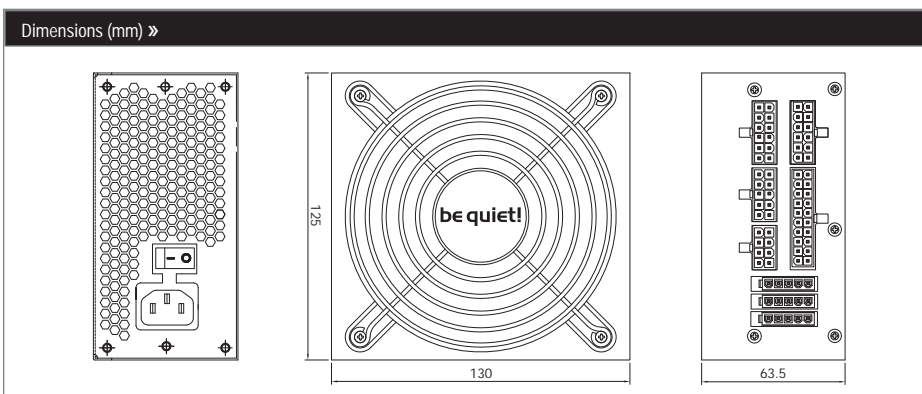


SFX L POWER

COMPACT AND SILENT ENERGY

Technical Data »			
IN GENERAL	Model	600W	500W
	Voltage (Vac) / Frequency (Hz)	100-240 / 50-60	100-240 / 50-60
	Form factor	SFX 12V Version 3.3 / ATX 2.4	SFX 12V Version 3.3 / ATX 2.4
	SFX-to-ATX adapter bracket	✓	✓
	Dimensions (L x W x H)	130 x 125 x 64	130 x 125 x 64
	High-quality fan (mm)	120	120
	Noise level (dB(A)) at 20 / 50 / 100% load	9.9 / 14.5 / 28.7	9.9 / 14.0 / 28.5
	Efficiency (%) at 230V	up to 92	up to 92
	12V-rails	1	1
	Active PFC	✓	✓
	OCP, OVP, UVP, SCP, OPP, OTP	✓	✓
	Certifications	80PLUS® Gold	80PLUS® Gold
	Energy Star 6.0 compatible	✓	✓
	ErP ready / Power in stand-by (W)	✓ / 0.25	✓ / 0.25
	Lifetime of PSU at 25°C (h)	100,000	100,000
CABLES	No. of cables	7	7
	Maximum cable length (cm)	80	80
	Length of ATX-connection cable (cm)	30	30
	Full cable management	✓	✓
	Flat cables	All cables	All cables
CONNECTORS	ATX motherboard (20+4-pin)	✓	✓
	PCI express (6+2-pin)	4	4
	P8-/P4-connector	1x P4+4	1x P4+4
	S-ATA (5-pin)	6	6
	P-ATA (4-pin)	3	3

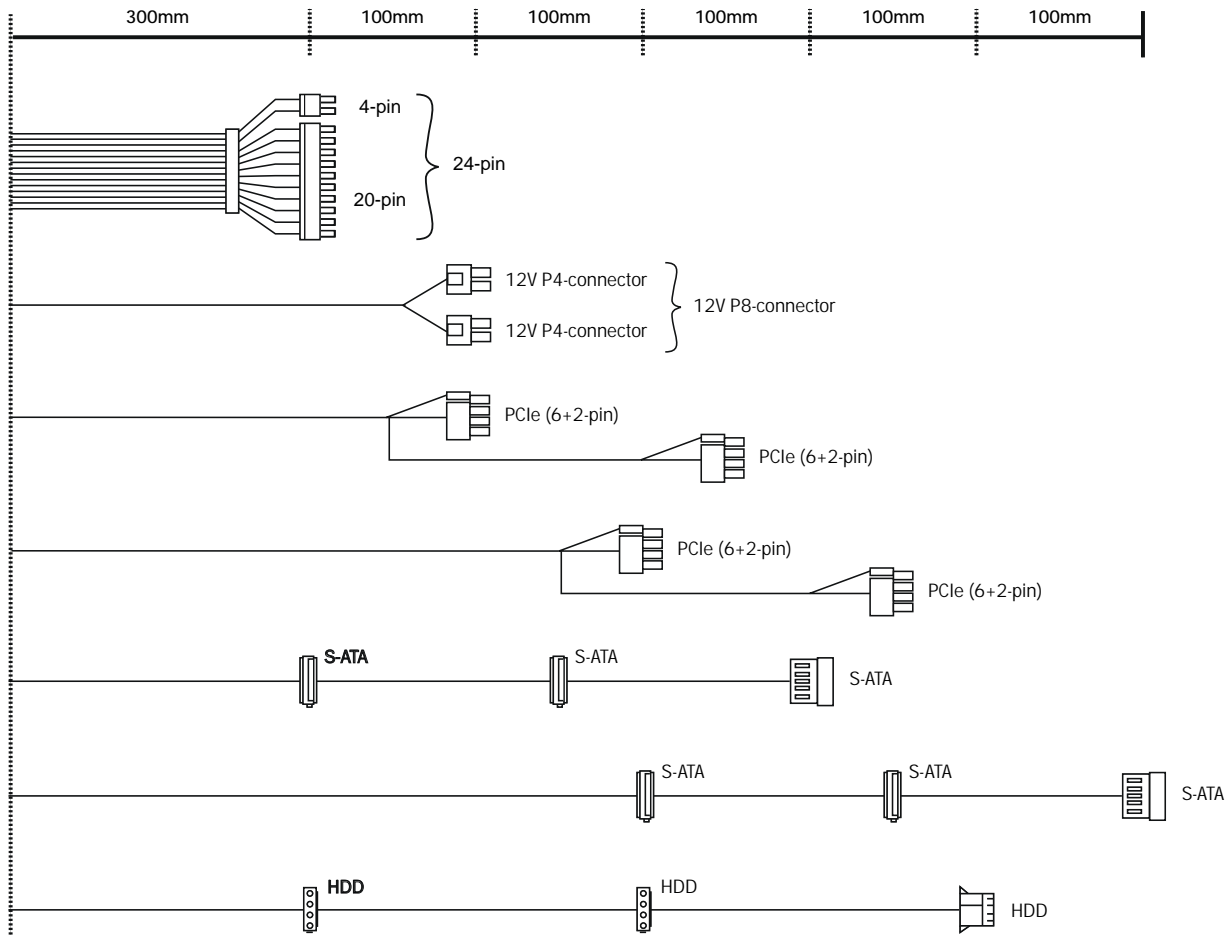
Output Data »						
AC Input		100 - 240Vac 50 - 60Hz 10A				
DC Output		3.3V	5V	12V	-12V	5VSB
SFX L Power 500W	Max. Current	20A	20A	41.7A 41.7A	0.3A	3A
	Max. Combined Power	105W		500W	3.6W	15W
500W						
AC Input		100 - 240Vac 50 - 60Hz 10A				
DC Output		3.3V	5V	12V	-12V	5VSB
SFX L Power 600W	Max. Current	22A	22A	50A 50A	0.3A	3A
	Max. Combined Power	110W		600W	3.6W	15W
600W						



SFX L POWER

COMPACT AND SILENT ENERGY

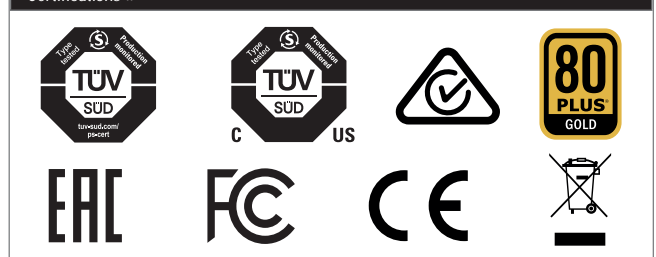
Cables »



Logistics data »

SFX L Power 500W	Article no	EANcode
Region EU	BN238	4260052187128
Region US	BN638	4260052187142
Region AU	BN814	4260052185964
SFX L Power 600W	Article no	EAN code
Region EU	BN239	4260052187135
Region US	BN639	4260052187159
Region AU	BN815	4260052185971

Certifications »



Contact »

be quiet! Headquarters
 Listan GmbH & Co. KG
 Biedenkamp 3A
 21509 Glinde
 Germany

Service hotline: +49 40 7367 686 44
 (mon. - fri., 9am to 5.30pm CET)
 e-mail: service@bequiet.com
 Visit the contact section on bequiet.com
 for the right regional service information.