

# Installation Guide

Passive PoE Adapter

TL-POE2412G/TL-POE4824G



For technical support and other information, please visit <https://www.tp-link.com/support>, or simply scan the QR code

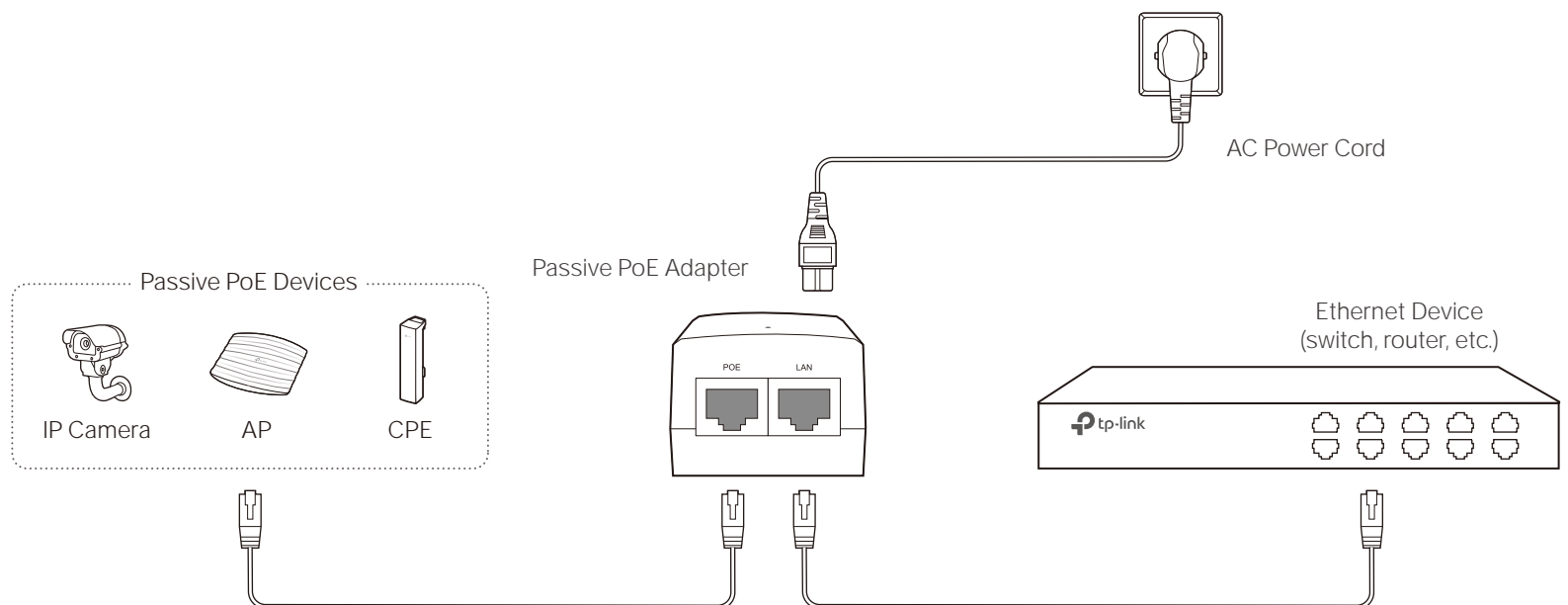
7106508124 REV1.0.2

Package Contents: passive PoE adapter, power cord, wall mount kits

Note: TL-POE2412G is used as an example throughout this guide. Other models may differ in appearance.

## Connection

Use the passive PoE adapter to simultaneously supply power and transmit data to a passive PoE device.

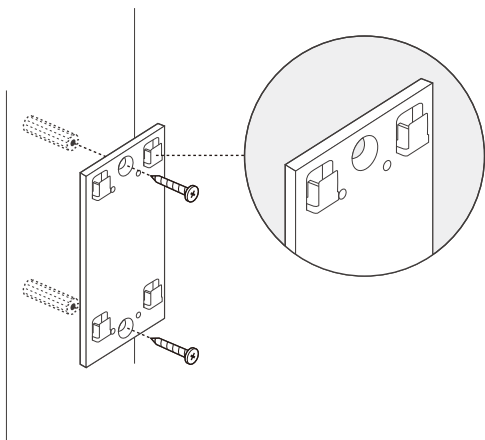


Note: Before connecting a passive PoE device, please check the required voltage in its product manual.

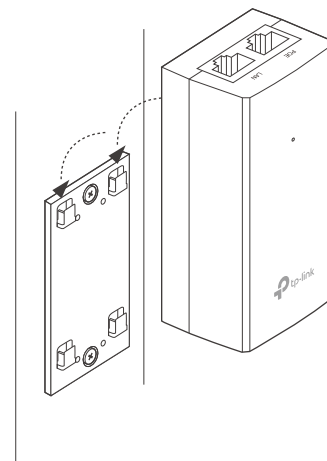
## Installation

Note: To ensure the passive PoE adapter is attached most securely, it is recommended to install the adapter with the Ethernet port facing upward.

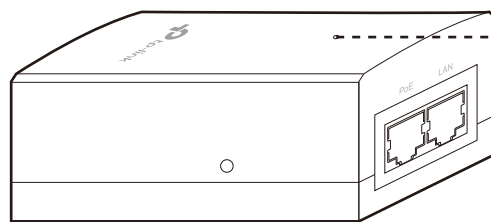
1. Drill two holes on the wall and insert the plastic wall anchors into the holes. Secure the mounting bracket to the wall. Make sure the shoulders at the corners of the mounting bracket are on the outside and pointing upward.



2. Attach the passive PoE adapter to the mounting bracket by sliding the adapter in the direction of the arrows until it locks into place.



# LED & Button



Power  
On: Power on  
Off: Power off

## Specifications

### General Specifications

Standards	IEEE802.3i, IEEE 802.3u, IEEE 802.3ab
Output Power	TL-POE2412G: 24V/0.5A TL-POE4824G: 48V/0.5A
Cable Type	UTP/STP of Cat. 5e or above (based on the standards that the connected devices comply with)
Ports	<ul style="list-style-type: none"> <li>10/100/1000Mbps Auto-Negotiation RJ45 LAN port</li> <li>10/100/1000Mbps Auto-Negotiation RJ45 POE port</li> </ul>
LED	PWR

### Environmental and Physical Specifications

Operating Temperature	0 °C to 40 °C (32 °F to 104 °F)
Storage Temperature	-40 °C to 70 °C (-40 °F to 158 °F)
Operating Humidity	10% to 90%RH non-condensing
Storage Humidity	5% to 90%RH non-condensing

## FCC STATEMENT

This equipment has been tested and found to comply with the limits for a Class B digital device, pursuant to part 15 of the FCC Rules. These limits are designed to provide reasonable protection against harmful interference in a residential installation. This equipment generates, uses and can radiate radio frequency energy and, if not installed and used in accordance with the instructions, may cause harmful interference to radio communications. However, there is no guarantee that interference will not occur in a particular installation. If this equipment does cause harmful interference to radio or television reception, which can be determined by turning the equipment off and on, the user is encouraged to try to correct the interference by one or more of the following measures:

- Reorient or relocate the receiving antenna.
  - Increase the separation between the equipment and receiver.
  - Connect the equipment into an outlet on a circuit different from that to which the receiver is connected.
  - Consult the dealer or an experienced radio/ TV technician for help.
- This device complies with part 15 of the FCC Rules. Operation is subject to the following two conditions:
- 1) This device may not cause harmful interference.
  - 2) This device must accept any interference received, including interference that may cause undesired operation.

Any changes or modifications not expressly approved by the party responsible for compliance could void the user's authority to operate the equipment.

TP-Link hereby declares that the device is in compliance with the essential requirements and other relevant provisions of directives 2014/30/EU, 2014/35/EU, 2009/125/EC and 2011/65/EU.

The original EU declaration of conformity may be found at <http://www.tp-link.com/en/ce>.

## SAFETY NOTICES

### ⚠ Cautions

Do not use this product near water, for example, in a wet basement or near a swimming pool.

Avoid using this product during an electrical storm. There may be a remote risk of electric shock from lightning.

### Industry Canada Statement

CAN ICES-3 (B)/NMB-3(B)



## FAQ

**Q1. Can the PoE adapter supply power to a passive PoE device which doesn't have a gigabit Ethernet port?**

**A:** Yes. Both the LAN and the PoE ports of the PoE adapter comply with IEEE 802.3i and IEEE 802.3u standards and support 10/100Mbps Auto-Negotiation.

**Q2. Can the Passive PoE adapter supply power to all my PoE devices?**

**A:** If your devices support passive PoE and the voltage standards of the devices match that of the passive PoE adapter, the passive PoE adapter can supply power to them.



Продукт сертифіковано згідно з правилами системи УкрСЕПРО на відповідність вимогам нормативних документів та вимогам, що передбачені чинними законодавчими актами України.

## CE Mark Warning

This is a class B product. In a domestic environment, this product may cause radio interference, in which case the user may be required to take adequate measures.

### 限用物質含有情況標示聲明書

產品元件名稱	限用物質及其化學符號					
	鉛 Pb	鎘 Cd	汞 Hg	六價鉻 CrVI	多溴聯苯 PBB	多溴二苯醚 PBDE
PCB	○	○	○	○	○	○
外殼	○	○	○	○	○	○
電源線	○	○	○	○	○	○

備考1. "超出0.1 wt %" 及 "超出0.01 wt %" 系指限用物質之百分比含量超出百分比含量基準值。

備考2. "○"系指該項限用物質之百分比含量未超出百分比含量基準值。

備考3. "-" 系指該項限用物質為排除項目。

### Explanation of the symbols on the product label

	DC voltage
	RECYCLING This product bears the selective sorting symbol for Waste electrical and electronic equipment (WEEE). This means that this product must be handled pursuant to European directive 2012/19/EU in order to be recycled or dismantled to minimize its impact on the environment. User has the choice to give his product to a competent recycling organization or to the retailer when he buys a new electrical or electronic equipment
	Indoor use only
	AC voltage
	Energy efficiency Marking