



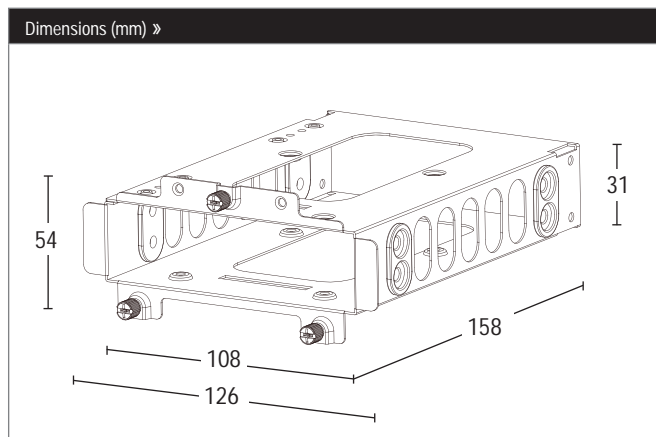
HDD CAGE

HDD cage for most be quiet! cases

Additional single HDD cage for all who want to install their HDD professionally and securely in most be quiet! cases.

Highlights »

- Perfect mounting for one HDD or up to two SSDs
- Decoupled installation of HDDs
- Black and orange rubber decouplers in scope of delivery
- Compatible with most be quiet! cases
- Three years manufacturer's warranty
- German product conception, design and quality control



Technical Data »

Article No.	BGA05
EAN code	4260052186605
Overall dimensions (L x W x H in mm)	158 x 108 x 31
Compatibility with be quiet! cases	Dark Base 900 series, Dark Base 700 series, Silent Base 801 series, Silent Base 601 series, Pure Base 600 series

Contact »

<p>be quiet! Headquarters Listan GmbH & Co. KG Biedenkamp 3A 21509 Glinde Germany</p>	<p>Service hotline: +49 40 7367 686 44 (mon. - fri., 9am to 5.30pm CET)</p> <p>e-mail: service@bequiet.com Visit the contact section on bequiet.com for the right regional service information.</p>
---	---