



B-TECH AV MOUNTS™

TILT
 ADJUSTMENT
 UP TO +20°

BT8427

ADJUSTABLE DROP FLAT SCREEN CEILING MOUNT WITH TILT

Designed to ceiling mount screens up to 70kg, the BT8427 features a push button adjustable drop of 572mm - 972mm with a safety bolt supplied for a secure installation and utilises an easy tilt mechanism for the perfect view. Levelling screws are included on the interface arms to adjust the screen height and locking screws help prevent unauthorised removal of the screen. Cover plates are supplied for a neat and tidy installation.

SPECIFICATION

Recommended screen size	up to 65"
Max load	70kg
VESA® compatibility (as standard)	up to 400 x 400
VESA® compatibility (with included adaptors)	up to 600 x 400
Tilt adjustment	up to +20° (in increments of 5°)
Ceiling drop	572mm - 972mm*
Colour	Black

*From the ceiling to the centre of the mount

FEATURES

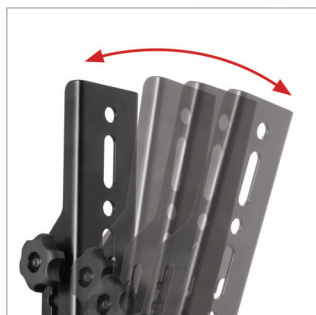
- Easy 'push button' adjustable ceiling drop
- Post installation screen alignment for perfect screen positioning
- Suitable for landscape or portrait mounting
- Arms feature levelling screws to adjust the screen height
- Security screws help prevent unauthorised removal of screens
- Simple 'hook-on' screen installation
- Integrated cable management
- Cover plates included for smart installation
- All mounting hardware included



VESA 600 x 400
 65" 165CM
 70KG
 20°
 (with included adaptors)



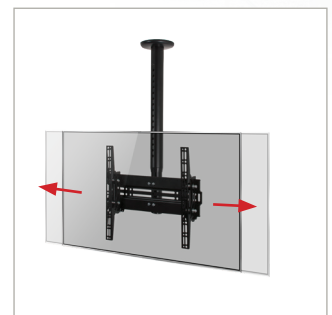
Integrated cable management



Interface arms tilt up to 20° (with a variable tilt and with fixed increments of 5°)



Height adjustment screws for screen levelling



Post installation screen alignment for perfect positioning every time



