

PC-1868W-EB

Ceiling Speaker



Article number PC-1868W-EB

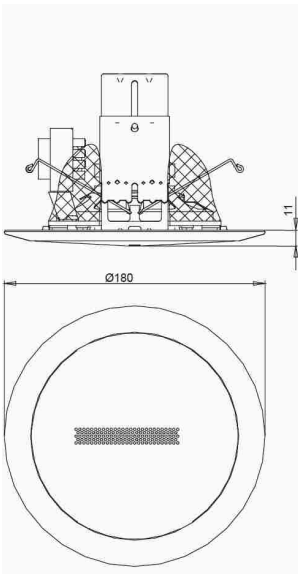
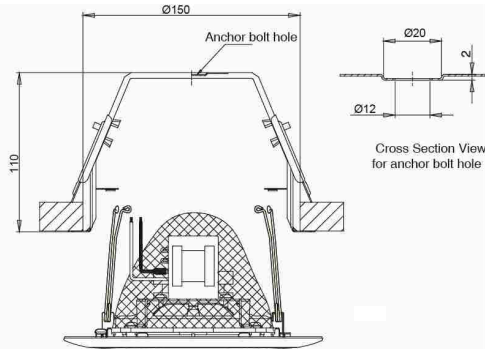
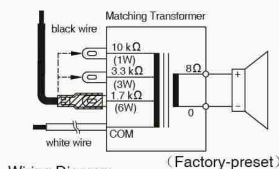
Specifications

Frequency response	100 Hz - 16 kHz
Sensitivity (1#W, 1#m)	90 dB
Speaker component	12 cm cone-type
Rated input (High Impedance)	6 W, 3 W
Tappings	6 / 3 / 1 W (100 V), 3 / 1.5 / 0.5 W (70 V)
Mounting hole	150 mm
Dimensions (W x H x D)	x 110
Dimensions (ø x D)	180 x 110 mm
Finish	ABS resin, traffic white (RAL 9016 or equivalent),

PC-1868W-EB

Ceiling Speaker

Appearance

CEILING MOUNT SPEAKER		PC-1868W-EB																						
<p>❖ DESCRIPTION</p> <p>Designed for simple installation, the TOA PC-1868W-EB is equipped with a metal grille and an ABS resin Baffle. It can be easily installed thanks to its spring catch method. The front net is also made of metal, simplifying cleaning.</p>																								
<p>❖ SPECIFICATIONS</p> <table border="1" style="width: 100%; border-collapse: collapse;"> <tr> <td style="width: 20%;">Rated Input</td> <td>6 W (for 100 V line), 3 W (for 70 V Line)</td> </tr> <tr> <td>Rated Impedance</td> <td>100 V line : 1.7 kΩ (6 W), 3.3 kΩ (3 W), 10 kΩ (1 W) (Internal wiring must be changed) 70 V line : 1.7 kΩ (3 W), 3.3 kΩ (1.5 W), 10 kΩ (0.5 W) (Internal wiring must be changed)</td> </tr> <tr> <td>Sound Pressure Level</td> <td>90 dB (1 W, 1 m, 330 - 3,300 Hz Pink noise)</td> </tr> <tr> <td>Frequency Response</td> <td>100 - 16,000 Hz</td> </tr> <tr> <td>Speaker Component</td> <td>12 cm cone-type</td> </tr> <tr> <td>Dimension for Fixing Hole</td> <td>ϕ150 (mounting hole) x 50 (maximum ceiling thickness) mm</td> </tr> <tr> <td>Speaker Mounting Method</td> <td>Spring catch</td> </tr> <tr> <td>Applicable Cable</td> <td>Solid copper wire or 7-core twisted copper wire More than ϕ0.8 mm or 0.5 mm² or more</td> </tr> <tr> <td>Finish</td> <td>Baffle : ABS resin, pure white (equivalent color) Grille : Net, pure white (equivalent color), paint</td> </tr> <tr> <td>Dimensions</td> <td>180 x 11 (exposed section) + 110 (D) mm</td> </tr> <tr> <td>Weight</td> <td>675 g (bracket included)</td> </tr> </table>			Rated Input	6 W (for 100 V line), 3 W (for 70 V Line)	Rated Impedance	100 V line : 1.7 k Ω (6 W), 3.3 k Ω (3 W), 10 k Ω (1 W) (Internal wiring must be changed) 70 V line : 1.7 k Ω (3 W), 3.3 k Ω (1.5 W), 10 k Ω (0.5 W) (Internal wiring must be changed)	Sound Pressure Level	90 dB (1 W, 1 m, 330 - 3,300 Hz Pink noise)	Frequency Response	100 - 16,000 Hz	Speaker Component	12 cm cone-type	Dimension for Fixing Hole	ϕ 150 (mounting hole) x 50 (maximum ceiling thickness) mm	Speaker Mounting Method	Spring catch	Applicable Cable	Solid copper wire or 7-core twisted copper wire More than ϕ 0.8 mm or 0.5 mm ² or more	Finish	Baffle : ABS resin, pure white (equivalent color) Grille : Net, pure white (equivalent color), paint	Dimensions	180 x 11 (exposed section) + 110 (D) mm	Weight	675 g (bracket included)
Rated Input	6 W (for 100 V line), 3 W (for 70 V Line)																							
Rated Impedance	100 V line : 1.7 k Ω (6 W), 3.3 k Ω (3 W), 10 k Ω (1 W) (Internal wiring must be changed) 70 V line : 1.7 k Ω (3 W), 3.3 k Ω (1.5 W), 10 k Ω (0.5 W) (Internal wiring must be changed)																							
Sound Pressure Level	90 dB (1 W, 1 m, 330 - 3,300 Hz Pink noise)																							
Frequency Response	100 - 16,000 Hz																							
Speaker Component	12 cm cone-type																							
Dimension for Fixing Hole	ϕ 150 (mounting hole) x 50 (maximum ceiling thickness) mm																							
Speaker Mounting Method	Spring catch																							
Applicable Cable	Solid copper wire or 7-core twisted copper wire More than ϕ 0.8 mm or 0.5 mm ² or more																							
Finish	Baffle : ABS resin, pure white (equivalent color) Grille : Net, pure white (equivalent color), paint																							
Dimensions	180 x 11 (exposed section) + 110 (D) mm																							
Weight	675 g (bracket included)																							
<p>[Note] Do not cover the speaker with heat insulating material or sound absorbing material. Ensure that the speaker is kept away from the heat insulating material.</p>																								
<p>❖ APPEARANCE</p> <div style="display: flex; justify-content: space-around; align-items: flex-start;"> <div style="text-align: center;">  <p>Front View</p> </div> <div style="text-align: center;">  <p>Mounting Diagram</p> </div> <div style="text-align: center;">  <p>Wiring Diagram (Factory-preset)</p> </div> </div>																								
<p>UNIT : mm SCALE : 1 / 3 [Note] Use transformer terminals when changing input impedance.</p>																								
TOA Corporation		NO: C109414233																						