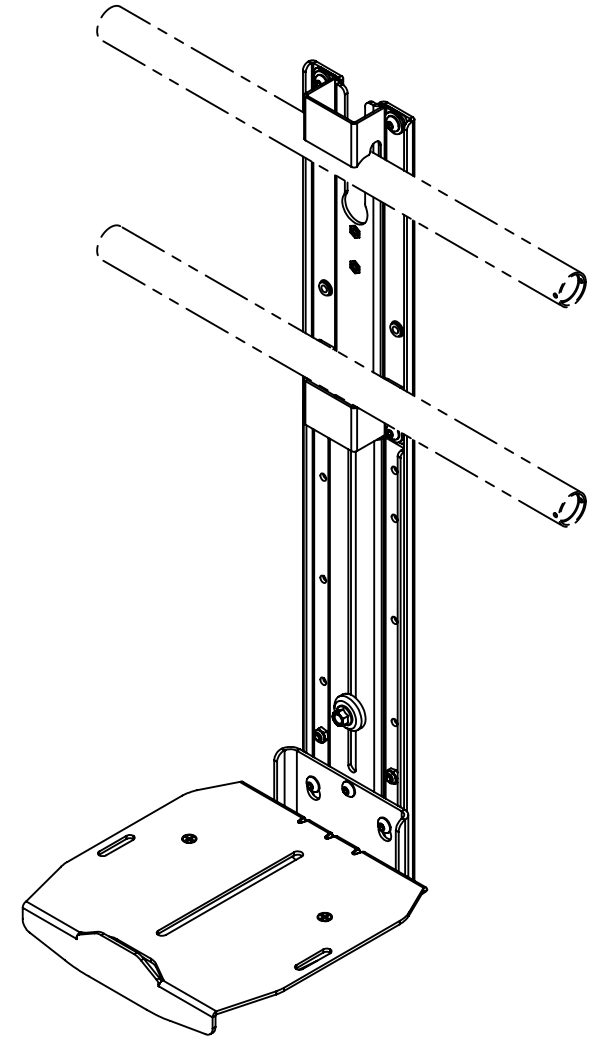
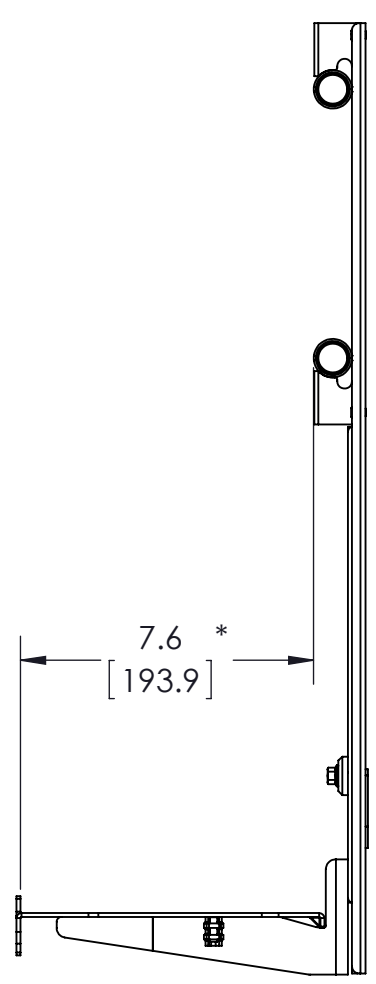
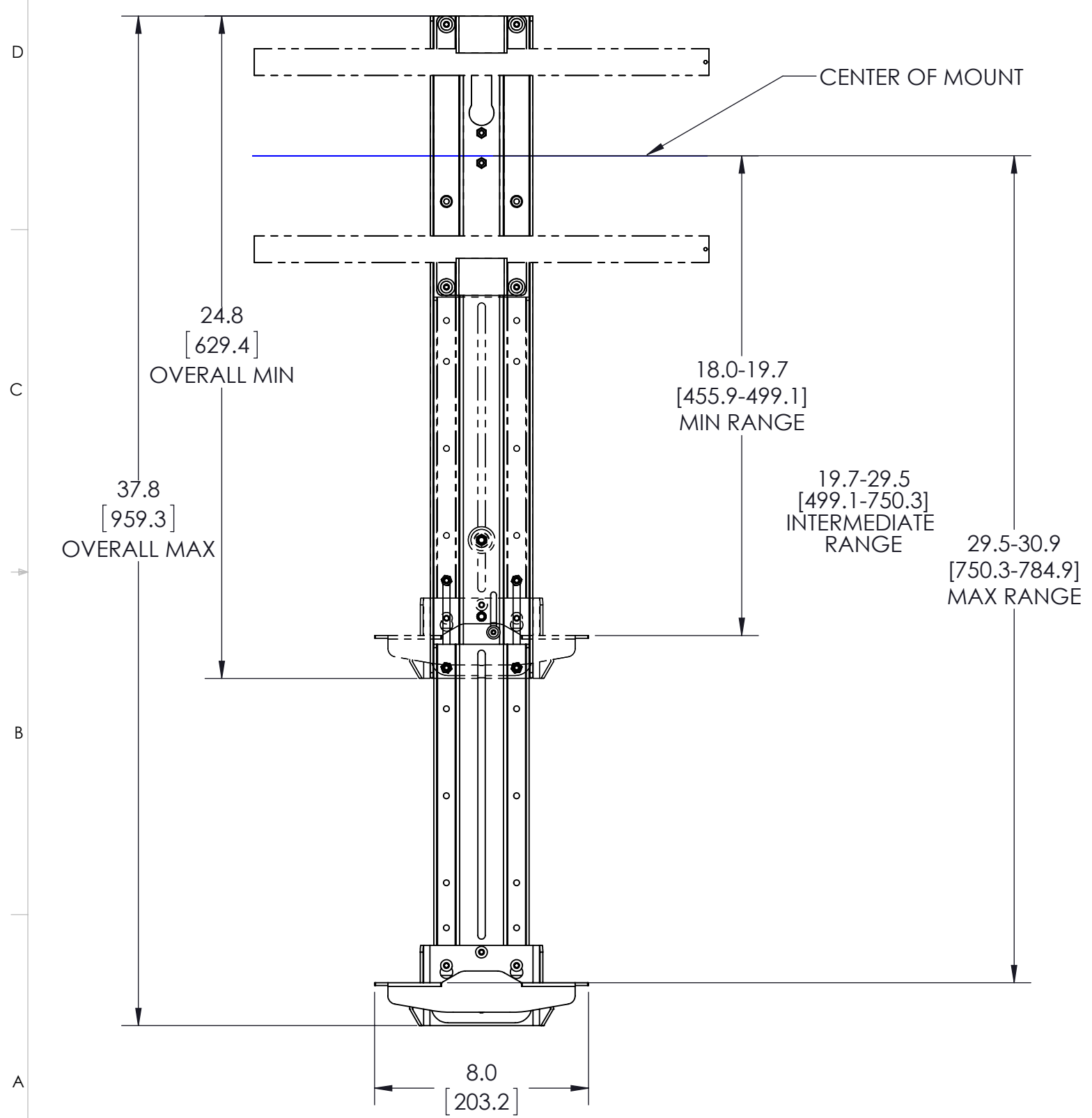


FUSION WALL BELOW MOUNT SETUP



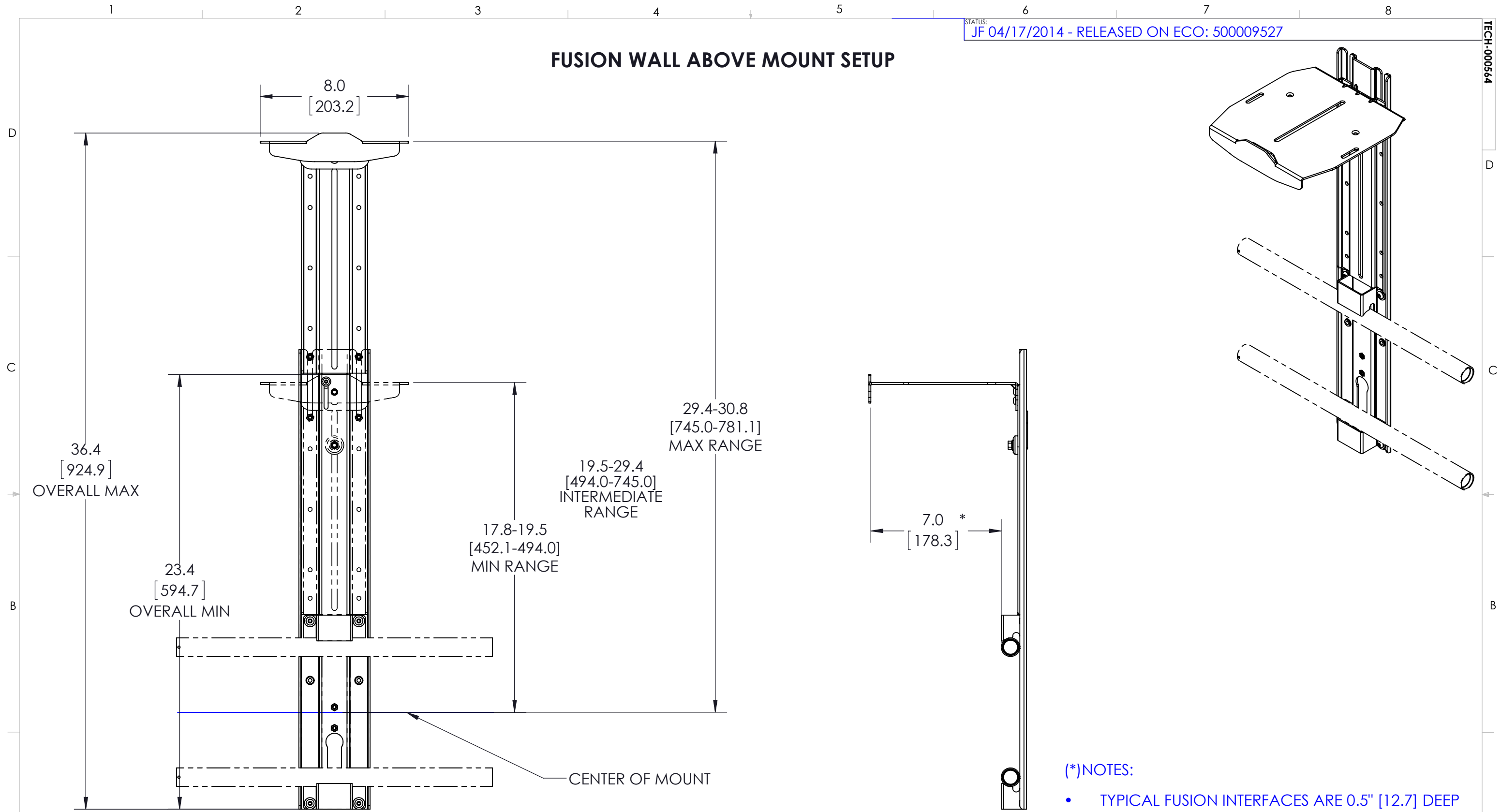
(*)NOTES:

- TYPICAL FUSION INTERFACES ARE 0.5" [12.7] DEEP

THE INFORMATION AND DESIGNS CONTAINED IN THIS DRAWING ARE CONFIDENTIAL AND THE PROPRIETARY PROPERTY OF MILESTONE AV TECHNOLOGIES NEITHER THIS DESIGN NOR ANY INFORMATION CONTAINED IN THIS DRAWING MAY BE REPRODUCED OR DISCLOSED TO OTHERS WITHOUT THE EXPRESS WRITTEN CONSENT OF MILESTONE AV TECHNOLOGIES.

CAD GENERATED DRAWING, DO NOT MANUALLY UPDATE.		<p>6436 CITY WEST PKWY EDEN PRAIRIE MN, 55344 PHONE: 866-977-3901 FAX: 877-894-6918</p>
DRAWN BY	JF 2/19/2014	
ENG APPROVAL		DESCRIPTION FUSION ABOVE/BELOW SHELF - 8"
MFG APPROVAL		MODEL NO. FCA810
QA APPROVAL		SIZE DWG. NO. REV. B TECH-000564 00
SHEET 1 OF 4		SCALE 1:5

FUSION WALL ABOVE MOUNT SETUP

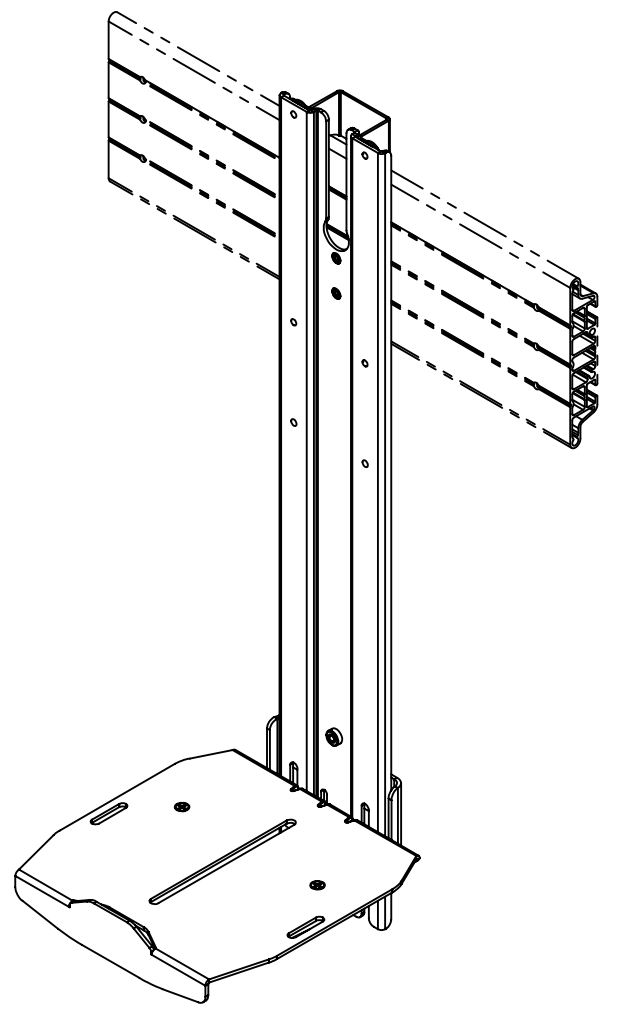
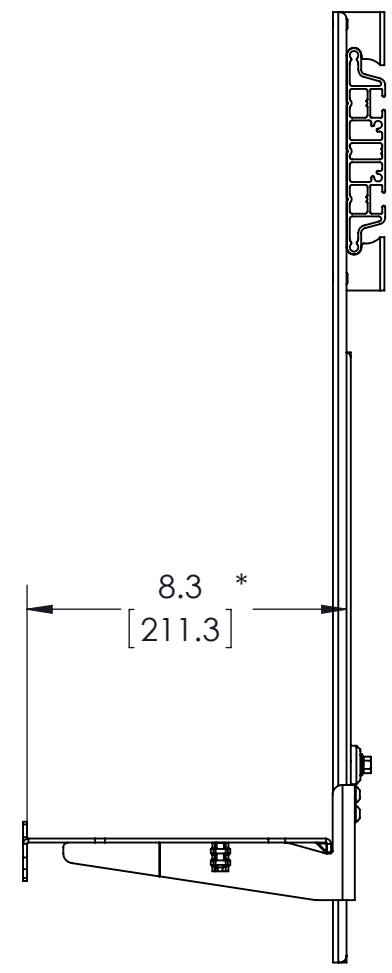
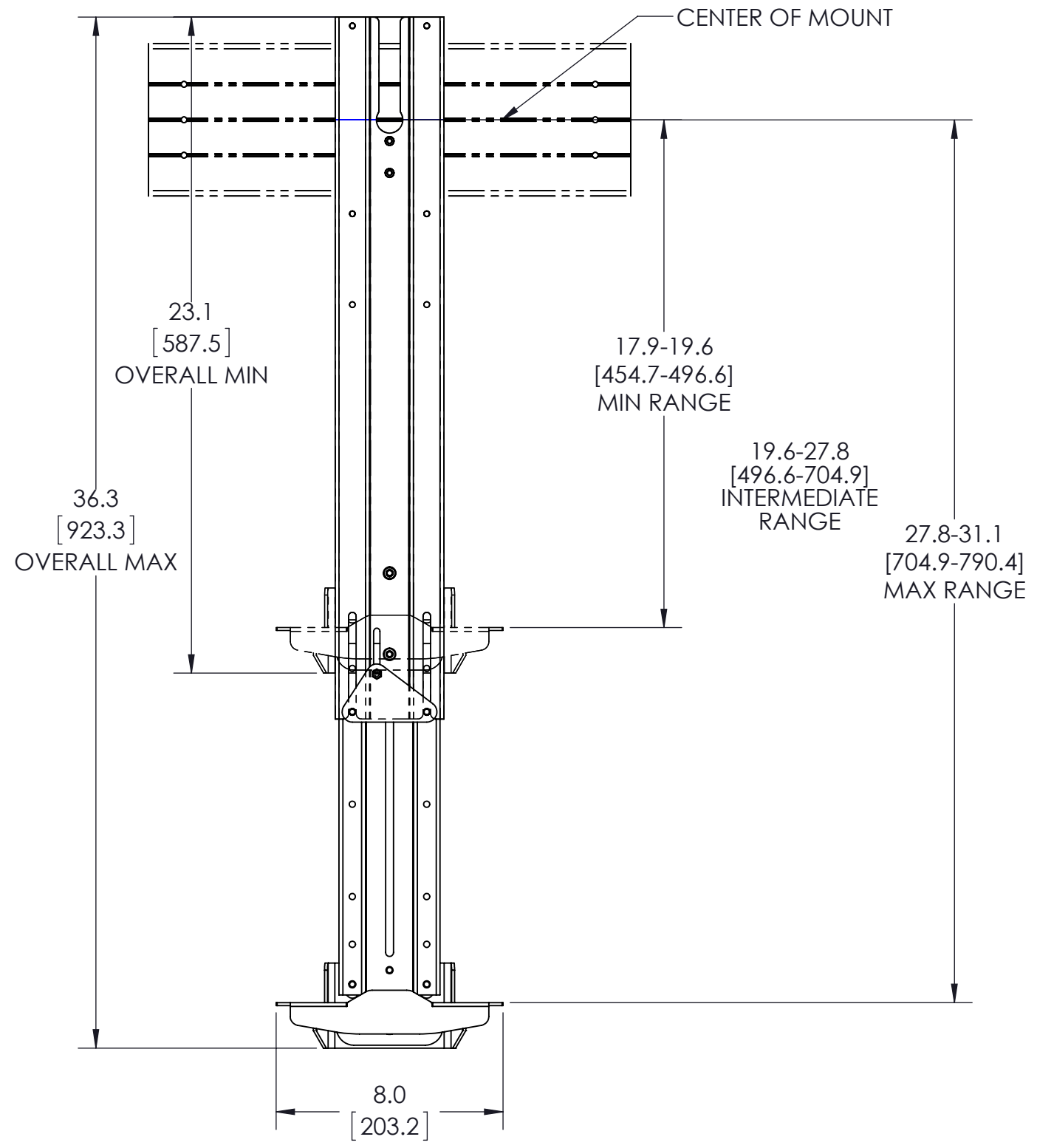


- (*)NOTES:
- TYPICAL FUSION INTERFACES ARE 0.5" [12.7] DEEP

THE INFORMATION AND DESIGNS CONTAINED IN THIS DRAWING ARE CONFIDENTIAL AND THE PROPRIETARY PROPERTY OF MILESTONE AV TECHNOLOGIES NEITHER THIS DESIGN NOR ANY INFORMATION CONTAINED IN THIS DRAWING MAY BE REPRODUCED OR DISCLOSED TO OTHERS WITHOUT THE EXPRESS WRITTEN CONSENT OF MILESTONE AV TECHNOLOGIES.

CAD GENERATED DRAWING, DO NOT MANUALLY UPDATE.			6436 CITY WEST PKWY EDEN PRAIRIE MN, 55344 PHONE: 866-977-3901 FAX: 877-894-6918	
DRAWN BY	JF	2/19/2014	DESCRIPTION	
ENG APPROVAL			FUSION ABOVE/BELOW SHELF - 8"	
MFG APPROVAL			MODEL NO.	
QA APPROVAL			FCA810	
SHEET 2 OF 4		SCALE	SIZE	DWG. NO.
		1:5	B	TECH-000564
				REV.
				00

FUSION CEILING/CART BELOW MOUNT SETUP



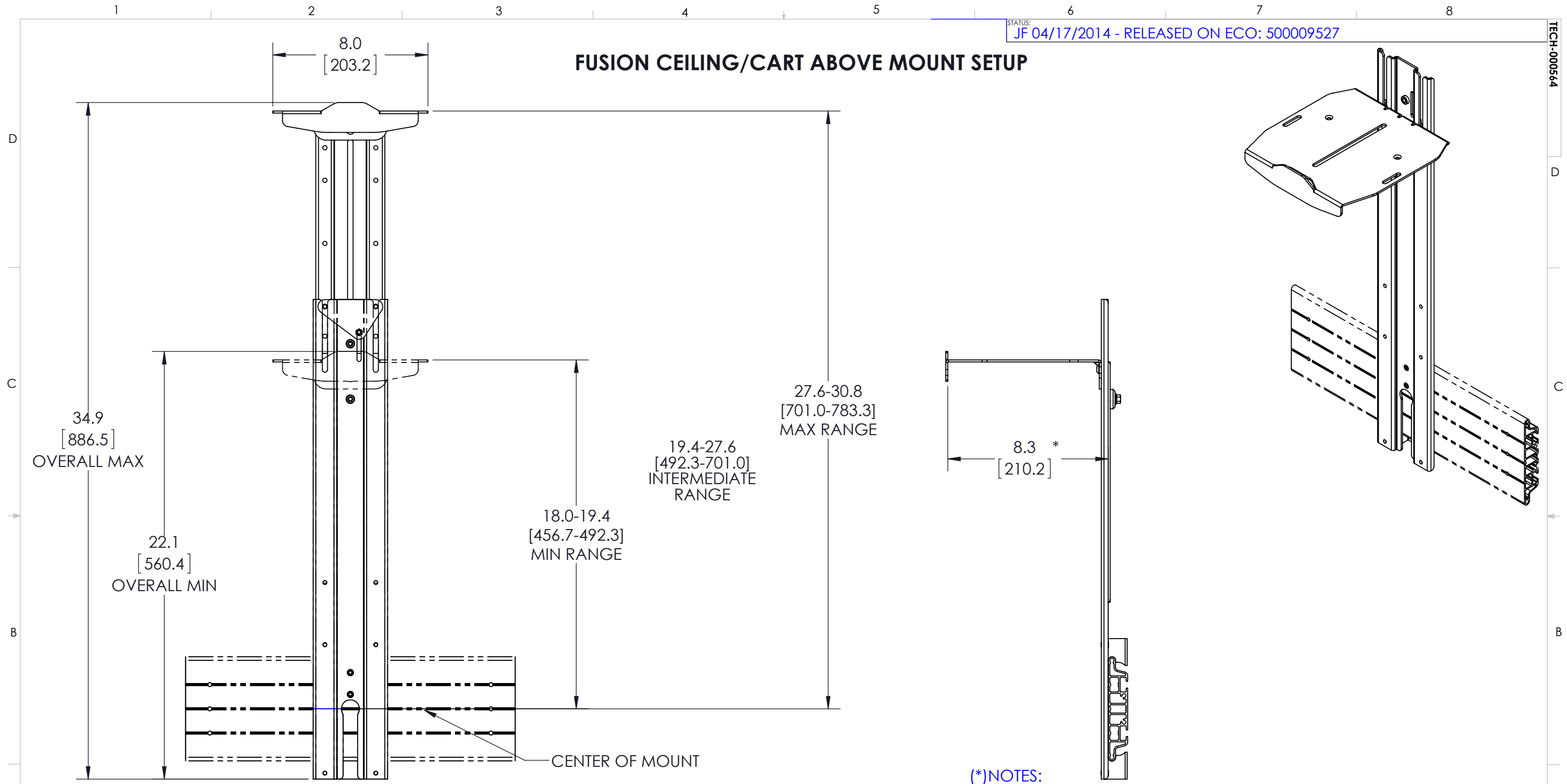
(*)NOTES:

- TYPICAL SINGLE DISPLAY MODELS HAVE INTERFACE DEPTHS .5" [12.7]
- TYPICAL DUAL DISPLAY MODELS HAVE INTERFACE DEPTHS 1.9" [48.3]
- FCA623 DUAL MONITOR INTERFACES ARE 1.4" DEEP [35.6]

THE INFORMATION AND DESIGNS CONTAINED IN THIS DRAWING ARE CONFIDENTIAL AND THE PROPRIETARY PROPERTY OF MILESTONE AV TECHNOLOGIES NEITHER THIS DESIGN NOR ANY INFORMATION CONTAINED IN THIS DRAWING MAY BE REPRODUCED OR DISCLOSED TO OTHERS WITHOUT THE EXPRESS WRITTEN CONSENT OF MILESTONE AV TECHNOLOGIES.

CAD GENERATED DRAWING, DO NOT MANUALLY UPDATE.		<p>6436 CITY WEST PKWY EDEN PRAIRIE MN, 55344 PHONE: 866-977-3901 FAX: 877-894-6918</p>
DRAWN BY	JF 2/19/2014	
ENG APPROVAL		DESCRIPTION FUSION ABOVE/BELOW SHELF - 8"
MFG APPROVAL		MODEL NO. FCA810
QA APPROVAL		SIZE DWG. NO. REV. B TECH-000564 00
SHEET 3 OF 4		SCALE 1:5

FUSION CEILING/CART ABOVE MOUNT SETUP



(*)NOTES:

- TYPICAL SINGLE DISPLAY MODELS HAVE INTERFACE DEPTHS .5" [12.7]
- TYPICAL DUAL DISPLAY MODELS HAVE INTERFACE DEPTHS 1.9" [48.3]
- FCA623 DUAL MONITOR INTERFACES ARE 1.4" DEEP [35.6]

THE INFORMATION AND DESIGNS CONTAINED IN THIS DRAWING ARE CONFIDENTIAL AND THE PROPRIETARY PROPERTY OF MILESTONE AV TECHNOLOGIES NEITHER THIS DESIGN NOR ANY INFORMATION CONTAINED IN THIS DRAWING MAY BE REPRODUCED OR DISCLOSED TO OTHERS WITHOUT THE EXPRESS WRITTEN CONSENT OF MILESTONE AV TECHNOLOGIES.

CAD GENERATED DRAWING, DO NOT MANUALLY UPDATE.			6436 CITY WEST PKWY EDEN PRAIRIE MN, 55344 PHONE: 866-977-3901 FAX: 877-894-6918	
DRAWN BY	JF	2/19/2014		
ENG APPROVAL			DESCRIPTION FUSION ABOVE/BELOW SHELF - 8"	
MFG APPROVAL			MODEL NO. FCA810	
QA APPROVAL			SIZE B	DWG. NO. TECH-000564
SHEET 4 OF 4			SCALE 1:5	REV. 00