



STYLISH  
HIGH-END  
AESTHETIC

# BT8562

## UNIVERSAL FLAT SCREEN TROLLEY

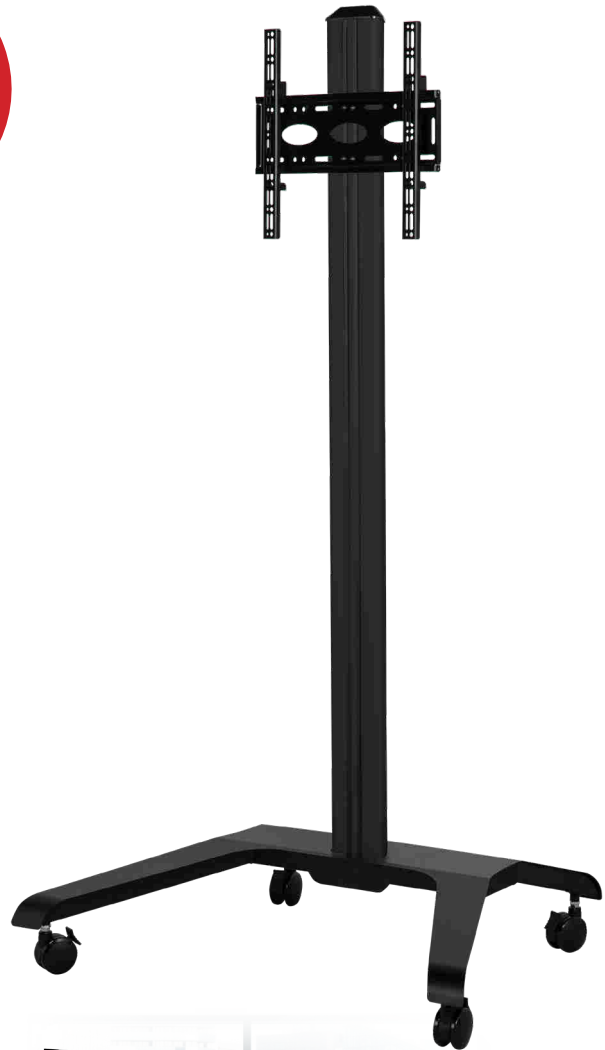
As part of B-Tech's Designer Trolley range, the BT8562 is a high-end mounting solution which adds a touch of aesthetic class to any mobile display requirement. Featuring a triangular shaped column, the BT8562 has a modern, contemporary look and is universally suitable for mounting screens in both landscape and portrait orientations. Levelling screws allow post-installation screen levelling and integrated cable management keeps finished installations looking neat and tidy. Non-marking, braked castors make repositioning quick and easy without marking or scuffing surfaces and AV components such as shelves can be fitted directly to the column to accessorise the install.

SPECIFICATION	
Recommended screen size	up to 75"
Max load	70kg
VESA® & non-VESA fixings	up to 600 x 400mm
Trolley dimensions	H:1885mm * W:1029 D:767mm
Colour options	Black

*\*Measurement from floor to top of vertical column (including end cap)*

### FEATURES

- Universal design suitable for displaying screens in a landscape or portrait orientation
- 3" non-marking locking / braked castors included
- Collar compatible accessories such as shelves (available separately) can be fitted directly to the column
- Interface arms include levelling screws to adjust the height of the screen
- Integrated cable management for a smart installation
- Safety screws help prevent unauthorised removal of screen
- Simple 'hook-on' screen installation with all mounting hardware included



**75"**  
190cm

**VESA**  
600  
x  
400

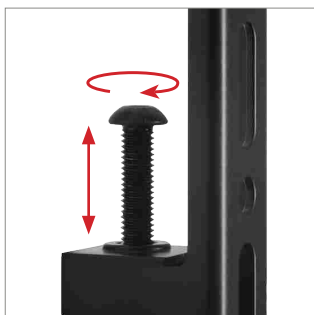
**70KG**



Dual colour options available for a modern contemporary look



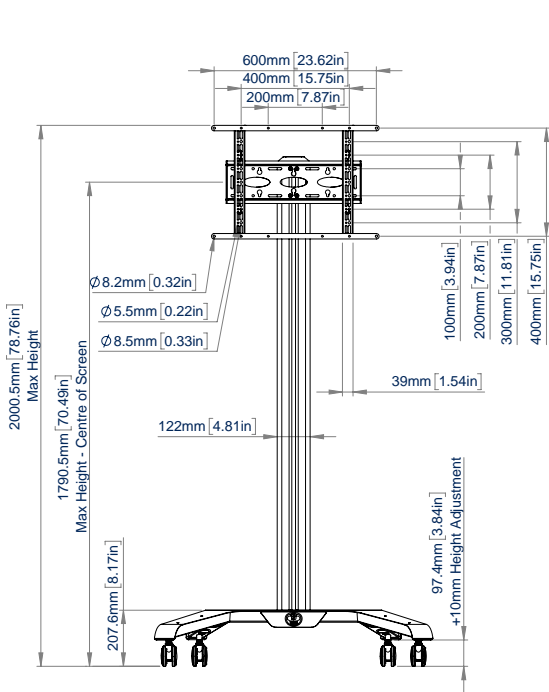
3" non-marking locking / braked castors included



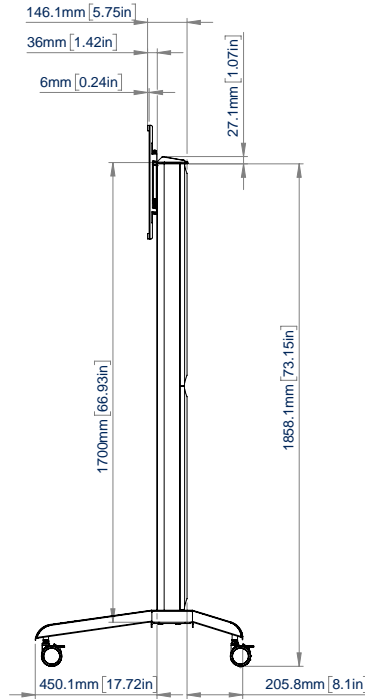
Interface arms include levelling screws to adjust the height of the screen



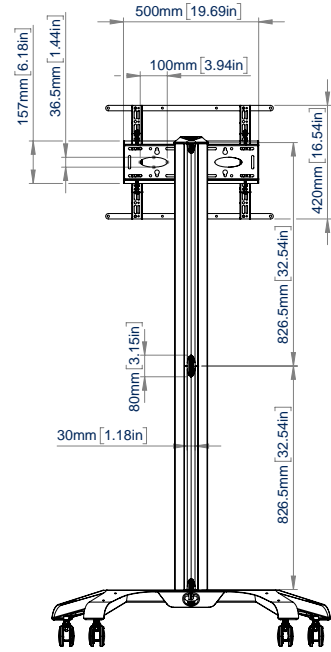
AV accessory shelves can be fitted directly to the columns



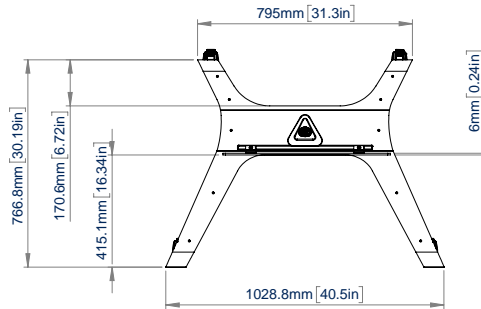
FRONT VIEW



SIDE VIEW



REAR VIEW



TOP VIEW

PACKING INFORMATION

PLEASE NOTE, THIS IS A 2 BOX ITEM

COLOUR:	ORDER REF:	EAN CODE:	MASTER CARTON WEIGHT:	MASTER CARTON CUBE:
Black	BT8562/BB V2	5019318301780	24.5kg / 8.1kg	0.19cbm / 0.07cbm

RELATED PRODUCTS AND ACCESSORIES



AV Accessory Shelves can be fitted directly to the vertical column



Video Conferencing Camera Shelf can be fitted directly to the vertical column



Universal XL Flat Screen Trolley from screens from 65" to 120" and up to 130kg



Flat Screen Trolley with Flip Rotation from screens from 37" to 75" and up to 70kg

© 2022 B-Tech Mounts Professional Design & Manufacturing Ltd. All rights reserved.  
 The information in this specification is subject to change without notice. This is a technical drawing and not a photograph. Dimensions are given in millimeters and inches. The information in this drawing is for informational purposes only. It is not intended to be used as a substitute for a professional engineer or architect. Any reproduction or reuse of any part of this document without the prior written permission of B-Tech Mounts Professional Design & Manufacturing Ltd. is strictly prohibited.