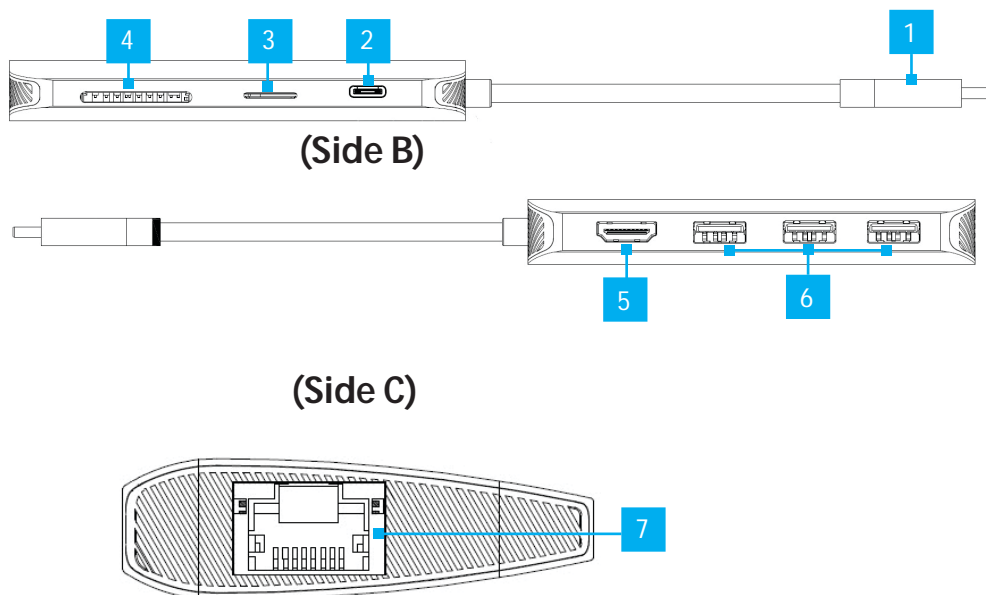


USB-C Multiport Adapter - HDMI 4K 60Hz HDR - 3 x USB-A (5Gbps) - GbE - SD / MicroSD - 100W PD

Product ID

115B-USBC-MULTIPORT

Product Diagram (Side A)



| Component | Function |
|----------------------------------------------------|---------------------------------------------------------------------------------------------------------------------------------------------------------------------------------------------------------------------------------|
| 1 Built-in USB-C Host Cable | <ul style="list-style-type: none"> Connect to a USB-C Port on a Host Computer USB 3.1 Gen 1 (5Gbps) Power Delivery 3.0 Specification (Up to 100W with up to 85W available for laptop charging) |
| 2 USB-C DATA/100W Power Delivery Pass through-Port | <ul style="list-style-type: none"> Connect a USB-C power adapter or a USB-C peripheral USB Power Delivery 3.0 (up to 100W) USB 2.0 (480Mbps) |

Requirements

For the latest requirements, please visit www.StarTech.com/115B-USBC-MULTIPORT

| | | |
|---|---------------------|----------------------------------------------------------------------------------------------------------------------------------------------------------------------------------------------------------------------------------------------------------------------------------------------------------------------------------|
| 3 | MicroSD Card Reader | <ul style="list-style-type: none"> Micro Secure Digital (microSD) 2.0, 1.1, and 1.0 compatibility Push a microSD Card, label side up, into the microSD Card Slot Note: The Host Computer's Operating System (OS) will automatically detect the SD Card and install the required driver software |
| 4 | SD Card Reader | <ul style="list-style-type: none"> Secure Digital (SD) 2.0, 1.1, and 1.0 compatibility Push an SD Card, label side up, into the SD Card Slot Note: The Host Computer's Operating System (OS) will automatically detect the SD Card and install the required driver software |
| 5 | HDMI Output Port | <ul style="list-style-type: none"> Connect an HDMI Display Device HDMI 2.0b HDR10 Up to 4K (4096x2160) 60Hz Via DisplayPort 1.4 DP Alt Mode |
| 6 | USB-A Data Ports | <ul style="list-style-type: none"> Connect USB-A peripherals USB 3.1 Gen 1 (5Gbps) |
| 7 | Gb Ethernet Port | <ul style="list-style-type: none"> Connect a CAT 5e/CAT 6 cable to establish a network connection 10/100/1000Mbps |

Installation

Side A Ports

1. Connect the **Built-in USB-C Host Cable** on the Multiport Adapter to a USB-C port on your host computer. Your computer will automatically detect the device and install all the required drivers.
2. **To connect a USB-C power adapter:** Connect a USB-C power adapter (up to 100W) from an AC outlet to the **USB-C DATA/100W Power Delivery Port** on the Multiport Adapter, to charge the computer that's connected to the **Built-in USB-C Host Cable**.

Note: The Multiport adapter reserves 15W of power, with up to 85W available for charging your computer.

To connect a USB-C peripheral: Connect a USB-C cable from your USB peripheral device to the **USB-C DATA/100W Power Delivery Port** on the Multiport Adapter, to connect the device to your computer.

3. Insert your memory card into the **microSD Card Reader**. Your computer will recognize the card and mount it as a drive. To remove the memory card, pull the memory card out.
4. Insert your memory card into the **SD Card Reader**. Your computer will recognize the card and mount it as a drive. To remove the memory card, push the card in and then pull the memory card out.

Notes:

- To protect your memory card and the data stored on it, it's important to safely unmount (eject) the card within your computer's operating system, before physically removing the card from the Multiport Adapter.
- Only a single card slot can work at a time, the Multiport Adapter will prioritize the SD slot over the MicroSD slot.

Use of Trademarks, Registered Trademarks, and other Protected Names and Symbols

This manual may make reference to trademarks, registered trademarks, and other protected names and/or symbols of third-party companies not related in any way to StarTech.com. Where they occur these references are for illustrative purposes only and do not represent an endorsement of a product or service by StarTech.com, or an endorsement of the product(s) to which this manual applies by the third-party company in question. StarTech.com hereby acknowledges that all trademarks, registered trademarks, service marks, and other protected names and/or symbols contained in this manual and related documents are the property of their respective holders.

PHILLIPS® is a registered trademark of Phillips Screw Company in the United States or other countries.

Warranty Information

This product is backed by a 3-year warranty.

For further information on product warranty terms and conditions, please refer to www.startech.com/warranty.

Limitation of Liability

In no event shall the liability of StarTech.com Ltd. and StarTech.com USA LLP (or their officers, directors, employees or agents) for any damages (whether direct or indirect, special, punitive, incidental, consequential, or otherwise), loss of profits, loss of business, or any pecuniary loss, arising out of or related to the use of the product exceed the actual price paid for the product. Some states do not allow the exclusion or limitation of incidental or consequential damages. If such laws apply, the limitations or exclusions contained in this statement may not apply to you.

| | | | |
|-------------------|--------------------------|----------------------------------|---------------------|
| StarTech.com Ltd. | StarTech.com LLP | StarTech.com Ltd. | FR: startech.com/fr |
| 45 Artisans Cres | 4490 South Hamilton Road | Unit B, Pinnacle 15 Gowerton Rd, | DE: startech.com/de |
| London, Ontario | Groveport, Ohio | Brackmills | ES: startech.com/es |
| N5V 5E9 | 43125 | Northampton | NL: startech.com/nl |
| Canada | U.S.A. | NN4 7BW | IT: startech.com/it |
| | | United Kingdom | JP: startech.com/jp |

Installation Cont'd

Side B Ports

5. Connect an HDMI cable from your HDMI enabled display device, to the **HDMI Output Port** on the Multiport Adapter, to add an HDMI display to your workstation.

Notes:

- Your computer's USB-C port must support DP Alt Mode in order to output video.
- Video performance, such as resolution, refresh rate and support for HDR10, depends upon your host computer's video controller and support for DisplayPort 1.4 (DSC). Please verify the specifications of your computer.

6. Connect a USB-A cable from up to three USB peripheral devices to the **USB-A Data Ports** on the Multiport Adapter, to connect the device to your computer.

Side C Ports

7. Connect a CAT 5e/CAT 6 cable from your local area network (e.g. Router, Switch, Modem, etc.) to the **Gb Ethernet Port** on the Multiport Adapter, to access your network via a wired LAN connection.

Regulatory Compliance

FCC - Part 15

This equipment has been tested and found to comply with the limits for a Class B digital device, pursuant to part 15 of the FCC Rules. These limits are designed to provide reasonable protection against harmful interference in a residential installation. This equipment generates, uses and can radiate radio frequency energy and, if not installed and used in accordance with the instructions, may cause harmful interference to radio communications. However, there is no guarantee that interference will not occur in a particular installation. If this equipment does cause harmful interference to radio or television reception, which can be determined by turning the equipment off and on, the user is encouraged to try to correct the interference by one or more of the following measures:

- Connect the equipment into an outlet on a circuit different from that to which the receiver is connected.
- Consult the dealer or an experienced radio/TV technician for help

This device complies with part 15 of the FCC Rules. Operation is subject to the following two conditions:

(1) This device may not cause harmful interference, and (2) this device must accept any interference received, including interference that may cause undesired operation. Changes or modifications not expressly approved by StarTech.com could void the user's authority to operate the equipment.

Industry Canada Statement

This Class B digital apparatus complies with Canadian ICES-003.

Cet appareil numérique de la classe [B] est conforme à la norme NMB-003 du Canada.

CAN ICES-3 (B)/NMB-3(B)

This device complies with Industry Canada licence-exempt RSS standard(s). Operation is subject to the following two conditions:

(1) This device may not cause interference, and (2) This device must accept any interference, including interference that may cause undesired operation of the device.

Le présent appareil est conforme aux CNR d'Industrie Canada applicables aux appareils radio exempts de licence.

L'exploitation est autorisée aux deux conditions suivantes:

(1) l'appareil ne doit pas produire de brouillage, et (2) l'utilisateur de l'appareil doit accepter tout brouillage radioélectrique subi, même si le brouillage est susceptible d'en compromettre le fonctionnement.