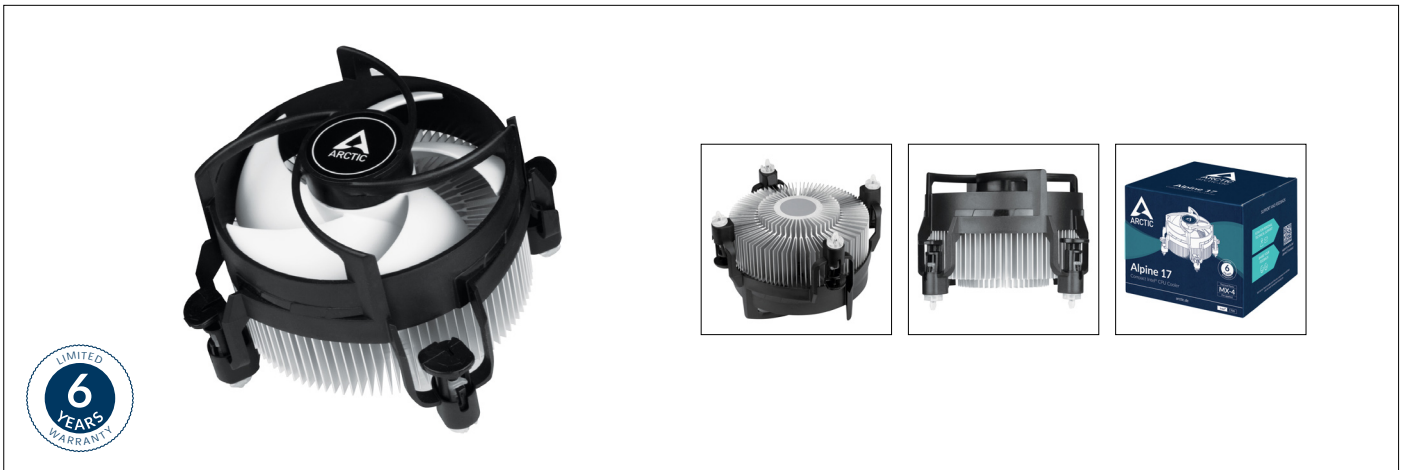


# Alpine 17

Compact Intel CPU Cooler



## General Specifications

Compatibility	Intel® 1700
Heatsink	Radial Heatsink
TIM	MX-4 Pre-applied
Noise Level	0.3 Sone
Warranty	6 years warranty
Dimensions	95 (L) x 95 (W) x 77 (H) mm
Weight	288 g

## Fan Specifications

Speed	100 –2000 rpm
Fan Diameter	92 mm
Speed Control	Pulse Width Modulation – PWM
Connector	4-Pin PWM-Fan-Connector
Bearing	Fluid Dynamic Bearing
Current/Voltage	0.06 A/12 V DC
Cable	200 mm fan cable, black

## Heatsink Specifications

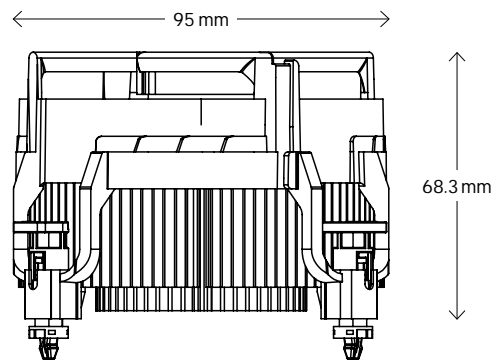
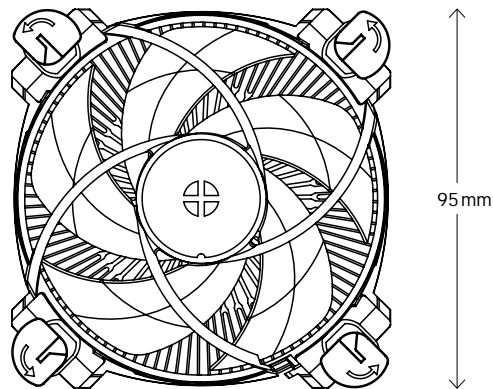
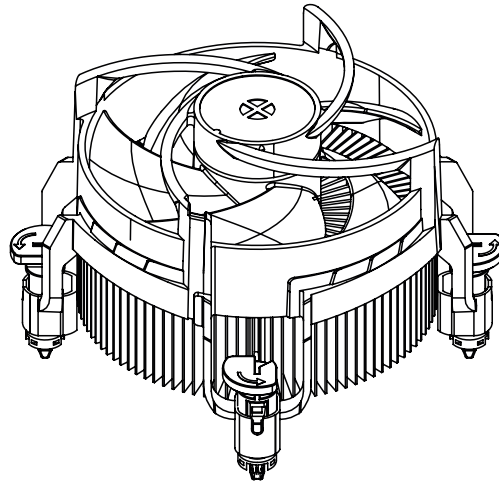
Height	32.75 mm
Diameter	93.6 mm
Material	Aluminum

## Shipping Information

Box Dimensions	99 (L) x 99 (W) x 82 (H) mm
Gross Weight	319 g
SKU	ACALP00040A
EAN	4895213703895
UPC	840033401708

# Alpine 17

Compact Intel CPU Cooler



All materials are compatible with RoHS requirements

MORE INFORMATION



MANUALS

