



Exclusively Available
from
midwich
midwld.com

XRTROLLEY

FLAT SCREEN FLOOR STAND/TROLLEY FOR SCREENS UP TO 55"

Designed for medium and large sized screens, the XRTROLLEY supports weights up to 40kg. 3" braked castors and adjustable height feet are both included for either fixed or mobile solutions. The universal interface accommodates mounting patterns up to 600 x 400mm and comes with adjustment screws which allow the screen to be levelled once mounted.

SPECIFICATION

| | |
|-------------------------|-----------------------------|
| Recommended screen size | 32" up to 55" |
| Max load | 40kg |
| Max. load (shelf) | 5kg |
| Shelf Dimensions: | W: 450 x D: 350mm |
| VESA compatibility | 200 x 100mm up to 600 x 400 |
| Dimensions | H: 1824 x D: 958 x W: 685mm |
| Colours | Black / Silver |

FEATURES

- AV accessory shelf included (an optional smaller shelf XRTROLLEYSH2 is available on request)
- Adjustable levelling feet and 3" braked castors are included
- Levelling screws allow adjustment of screen height
- Padlock tabs on arms for additional security (padlock not included)
- Security locking screws help prevent unauthorised removal of screens
- All components supplied in a single box for easy shipping



AV accessory shelf included (an optional smaller shelf XRTROLLEYSH2 is also available on request)



Levelling feet and 3" braked castors are included



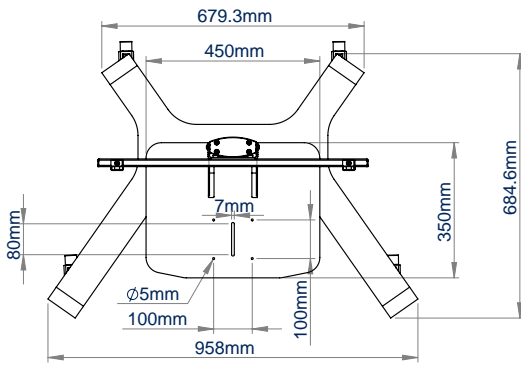
Padlock tabs on arms for additional security (padlock not included)



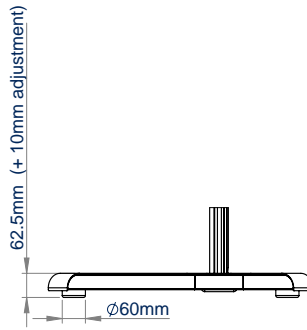
Security locking screws help prevent unauthorised removal of screens

MOBILE OR
FREESTANDING

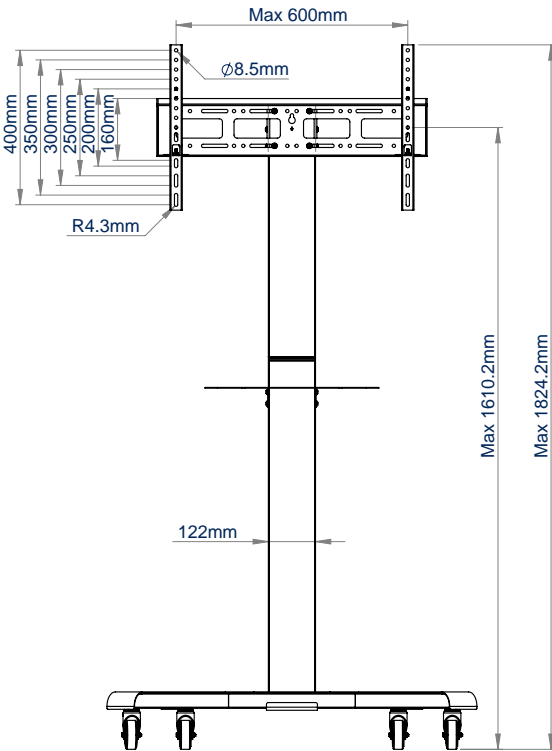




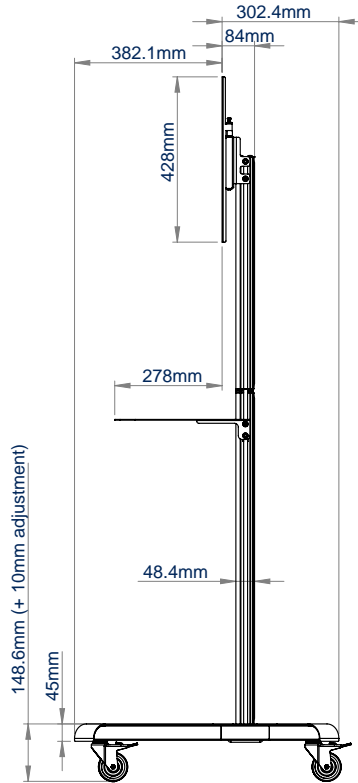
TOP VIEW



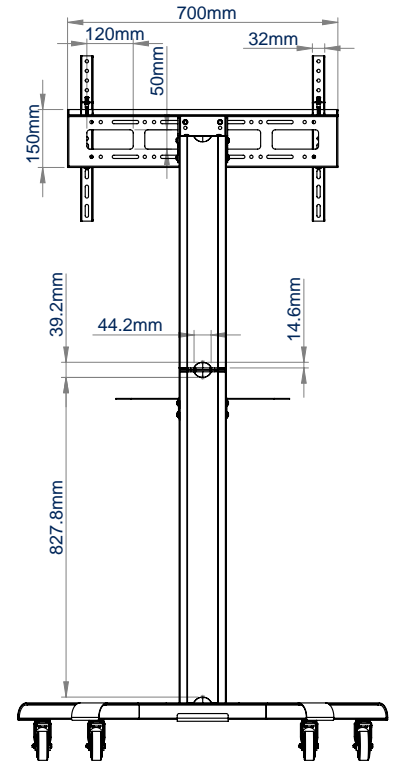
BASE ASSEMBLY WITH FEET



FRONT VIEW



SIDE VIEW



REAR VIEW

PACKING INFORMATION

| COLOUR: | ORDER REF: | EAN CODE: | MASTER CARTON QTY: | MASTER CARTON WEIGHT: | MASTER CARTON CUBE: |
|------------------|--------------|---------------|--------------------|-----------------------|---------------------|
| Black and Silver | XRTROLLEY/BS | 5019318305689 | 1 | 22.4kg | 0.092cbm |

RELATED PRODUCTS



Accessory Shelf
Designed for use with XRTROLLEY cameras with a 1/4" thread and equipment with 100 x 100 mm mounting points



VC Camera Shelf
Designed for use with XRTROLLEY and cameras with a 1/4" thread



Flat Screen Wall Mount
For 32" up to 65" screens from VESA 200 x 100 up to 600 x 400



XL Flat Screen Floor Stand / Trolley
For 43" up to 86" screens from VESA 200 x 100 up to 800 x 600

© 2012 B-Tech Mounts Ltd. All rights reserved. This information is provided for informational purposes only. It is not intended to be used as a substitute for professional advice. B-Tech Mounts Ltd. is not responsible for any damage or loss resulting from the use of this information. B-Tech Mounts Ltd. is not responsible for any damage or loss resulting from the use of this information. B-Tech Mounts Ltd. is not responsible for any damage or loss resulting from the use of this information.