

# UVC86

## Introduction

A 4K dual-eye intelligent camera for medium and large rooms with for display of every person and every detail. With auto-framing, speaker tracking and presenter tracking features, the UVC86 delivers face to face, intelligent and smooth video experience by precisely reproducing every moment and detail, always showing the best picture of your room. The UVC86 camera has a built-in PTZ camera with 90° and panoramic lens with 120°. It allows you to tilt up and down easily via remote control or Yealink camera control plug-in software to collaborate more efficiently.



## Key features and benefits

- Dual-eye 4K camera
- 4K video at 30 frames out per second
- Auto Framing, Speaker Tracking and Presenter Tracking
- 12x optical zoom, presenting crystal-clear video image
- Mechanical Pan, Tilt and Zoom
- Smooth PTZ control by remote control or Yealink camera control plug-in
- Audio integration, perfect work with Yealink audio device
- Support USB, HDMI, and VCH transmission

### Dual-eye 4K Camera Clearly Showing Every Participant

UVC86 is a built-in dual-eye 4K camera with a panoramic camera to detect participants in real-time and a PTZ camera to capture the best picture of participants, supporting a 4K video stream and capturing every detail of the meeting.

### Precise and Smooth Tracking Experience

UVC86 camera supports both Auto Framing, Speaker Tracking and Presenter Tracking features. The dual-eye design solution greatly ensures the stability and smoothness of the tracking effect.

### 12x Optical Zoom, 90° Wide FoV

With 12X optical zoom and 90° field of view, UVC86 can easily cover a medium or large meeting space. Everyone sitting in the meeting room can be clearly seen by the remote party.

### Integrated with Audio

UVC86 camera integrates the audio feature in it as well. Perfectly working with the UVC86 camera, VCM34 array microphone or VCM38 ceiling microphone combined with MSpeaker II soundbar is capable of providing a wonderful audio experience.

### Multiple Installation Options

The complete mounting kits allow you to either put UVC86 on the conference table, or mount it on the top of TV, on the wall, on the ceiling, onto a TV stand or a tripod with great flexibility according to your needs.

### Secure Conference with Electric Lens Cap and Automatically Flip

When you start a video conference, the panoramic camera electric lens cap of the UVC86 automatically opens, and the PTZ camera awakes up. At this time, the UVC86 is aiming at the participants.

If you are not in a video conference, the panoramic camera electric lens cap of the UVC86 remains closed, and the PTZ camera automatically flips down to secure your conference privacy.

## Specifications

Specifications	Description
Package includes	<ul style="list-style-type: none"> <li>· UVC86 Camera</li> <li>· VCR20 Remote Control</li> <li>· Power Adapter</li> <li>· Wall Bracket and Accessories</li> <li>· 7m USB Cable (2.5m for MVC bundle)</li> </ul>
PTZ Camera	<ul style="list-style-type: none"> <li>· 8MP, Sony Sensor</li> <li>· 90° DFOV, 81° HFOV, 50° VFOV</li> <li>· 20.4 x HD zoom (12x optical, 1.7x digital)</li> <li>· Pan: ±100°, Tilt: +40°, -90°</li> <li>· 9 Camera Presets</li> </ul>
Panoramic Camera	<ul style="list-style-type: none"> <li>· 8MP, Sony Sensor</li> <li>· 120° DFOV, 110° HFOV, 78° VFOV</li> <li>· Manual Tilt: ± 9°</li> </ul>
AI Feature	<ul style="list-style-type: none"> <li>· Auto Framing</li> <li>· Speaker Tracking</li> <li>· Presenter Tracking</li> </ul>
UVC86 Connections	<ul style="list-style-type: none"> <li>· 1 x USB3.0 Type-B Port</li> <li>· 1 x USB2.0 Type-A Port</li> <li>· 1 x Yealink VCH Port (RJ45) for Audio devices, BYOD Extender or Yealink Codec</li> <li>· 1 x 3.5mm Line in Port</li> <li>· 1 x Power Port</li> <li>· 1 x Security Lock Slot</li> <li>· 1 x Reset Slot</li> <li>· 1 x HDMI Out Port</li> </ul>

Product Specifications	<ul style="list-style-type: none"> <li>· UVC86 Camera:</li> <li>- Sleeping Dimensions (W.D.H): 210mm x 156mm x 183mm</li> <li>- Working Dimensions (W.D.H): 210mm x 156mm x 156mm</li> <li>- Working Height: 156 mm~192 mm</li> <li>· N.W: 3.27 kg</li> </ul>
Other Physical Features	<ul style="list-style-type: none"> <li>· External Yealink Power Adapter: AC 100~240V input and DC 48V/0.7A Output</li> <li>· Operating Humidity: 10~95%</li> <li>· Operating Temperature: 0~40°C</li> </ul>

## Device Compatibility

The maximum number of UVC86 supported by the conferencing room endpoint is as follows:

Device Name	Max. number of UVC86 supported
MeetingBar A10, MeetingBar A20, MeetingBar A30	×
MVC960, MVC940, MVC900	9
MVC860-BASE KIT, MVC860, MVC660, ZVC860	1
MVC840-BASE KIT, MVC840, MVC640-AI, MVC640-Wireless, ZVC840	×
MVC400, ZVC400	×
MVC320	×
MeetingBoard 65, MeetingBoard 86	×
DeskVision A24	×
MeetingEye 500	1

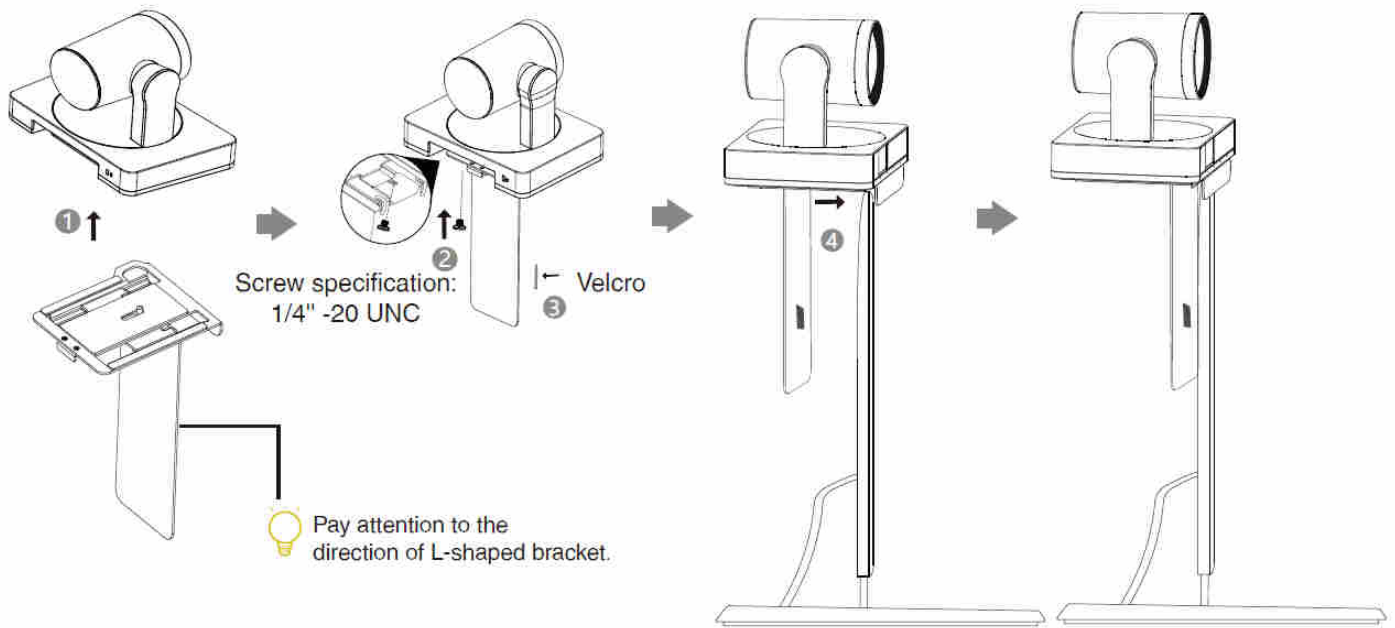
## Installation

### Put on a Flat Surface

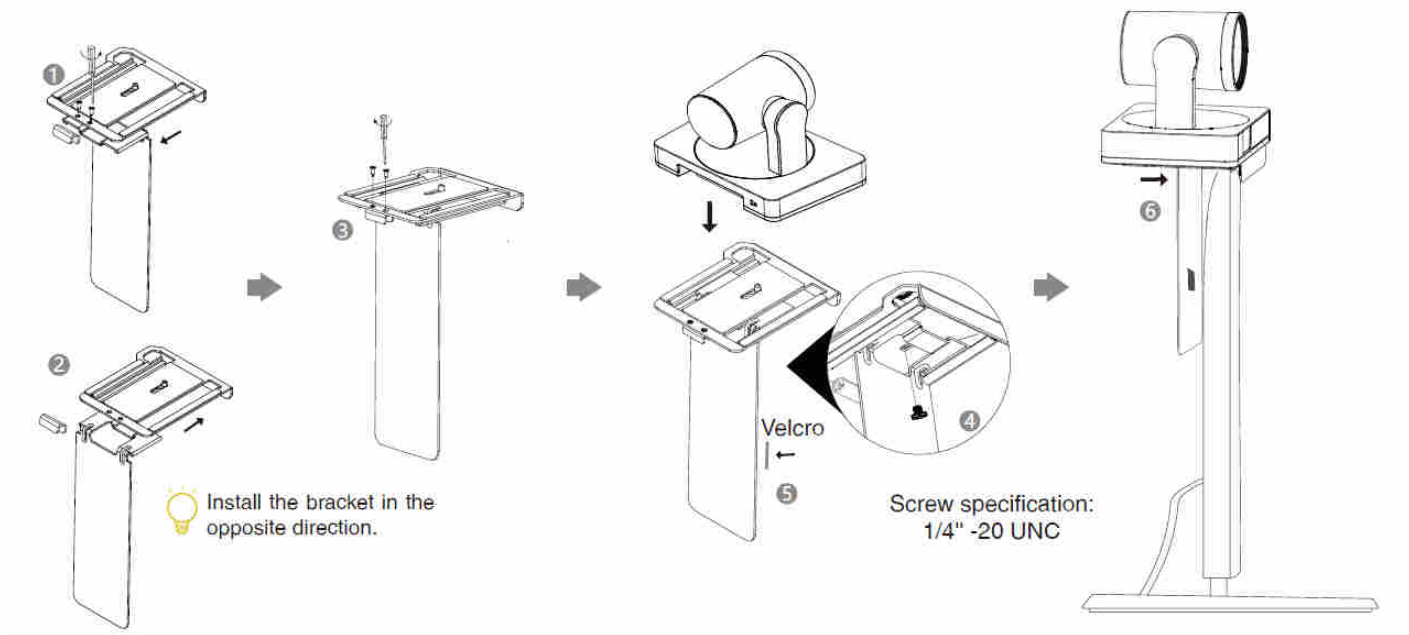
You can put the UVC86 on the conference table, and make sure that the angle of inclination of the UVC86 is not more than 5 degrees to ensure proper operation.

### Mount on top of a display

Choose the following installation method when the thickness of the TV is between 0 mm and 70 mm.

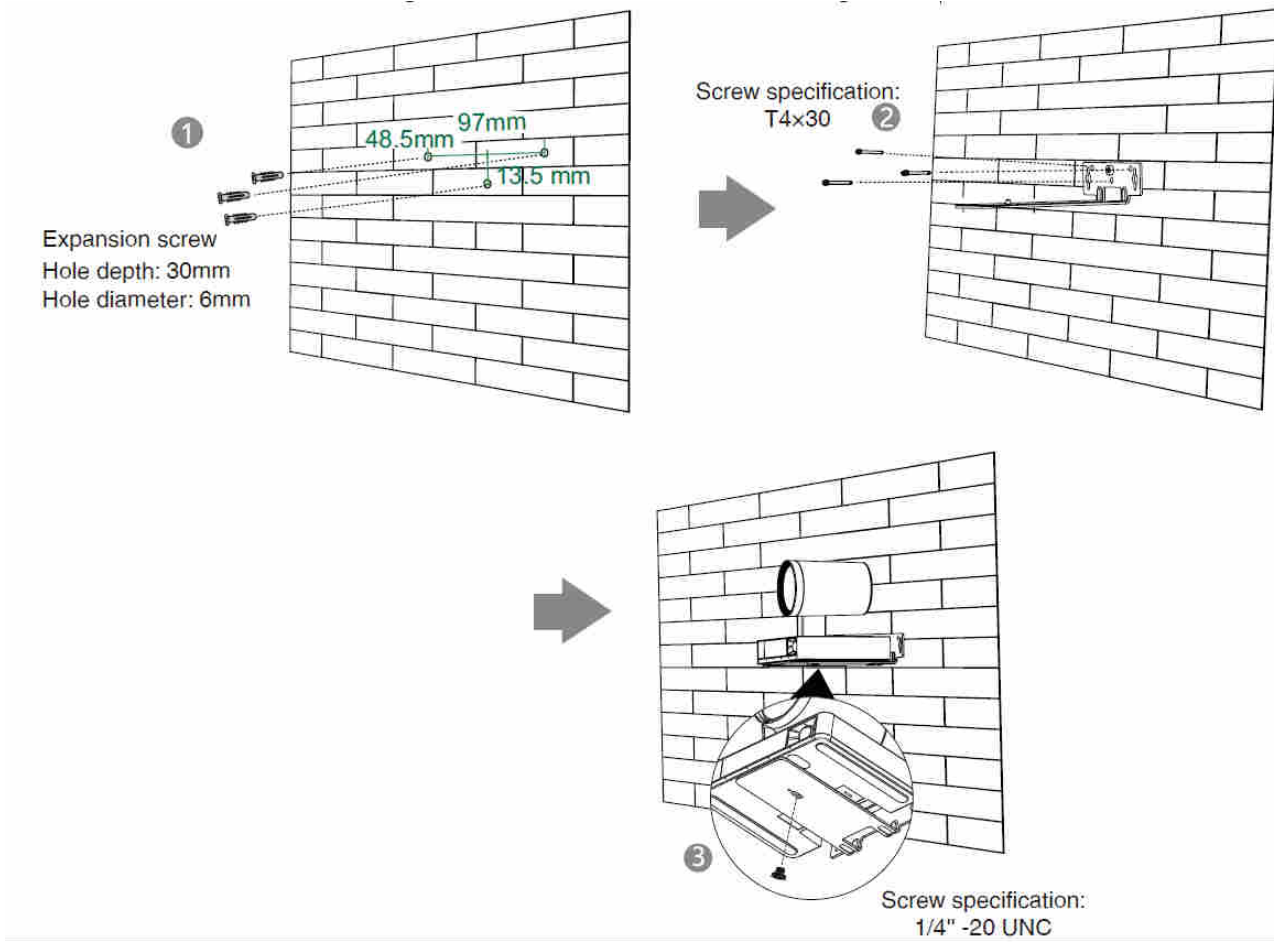


Choose the following installation method when the thickness of the TV is between 46 mm and 146 mm.

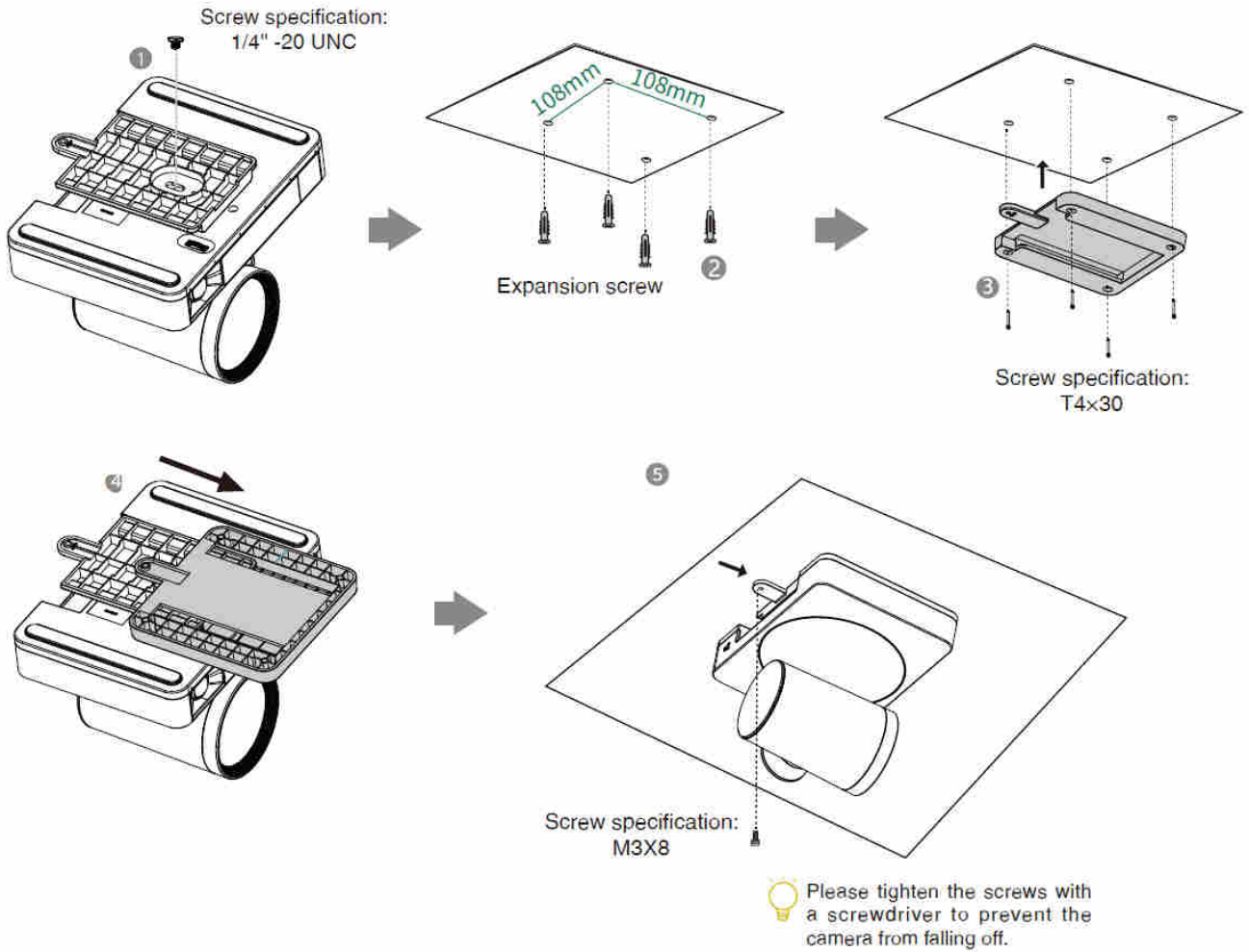


**Mount on the Wall**

The recommended height is 1.55 m-1.85 m above the ground.

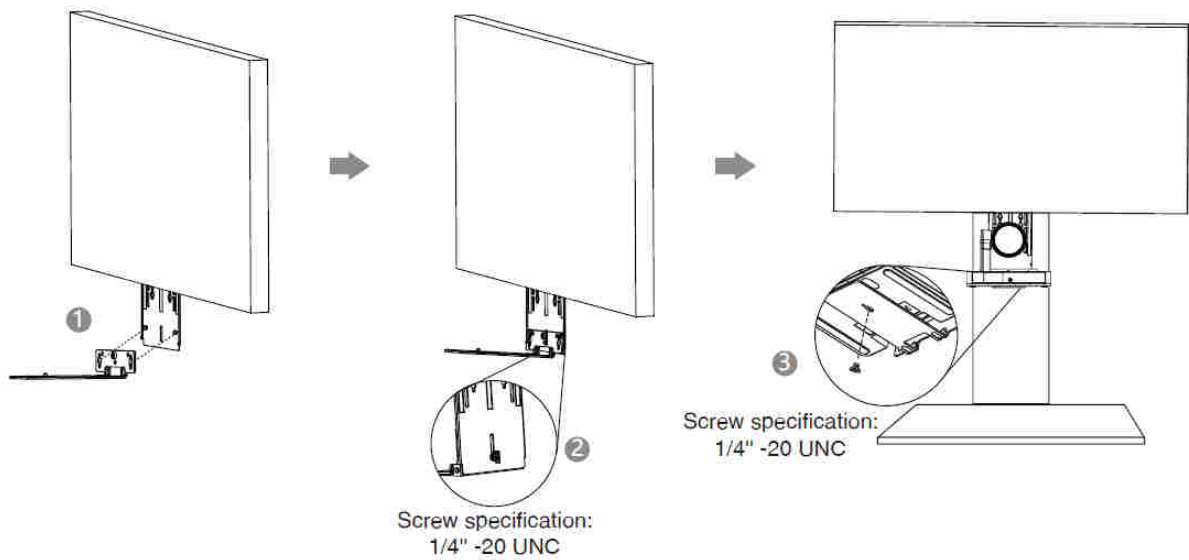


**Mount on the Ceiling**



**Mount onto a TV Mount**

You need to purchase a TV Mount separately.



**How to Use**

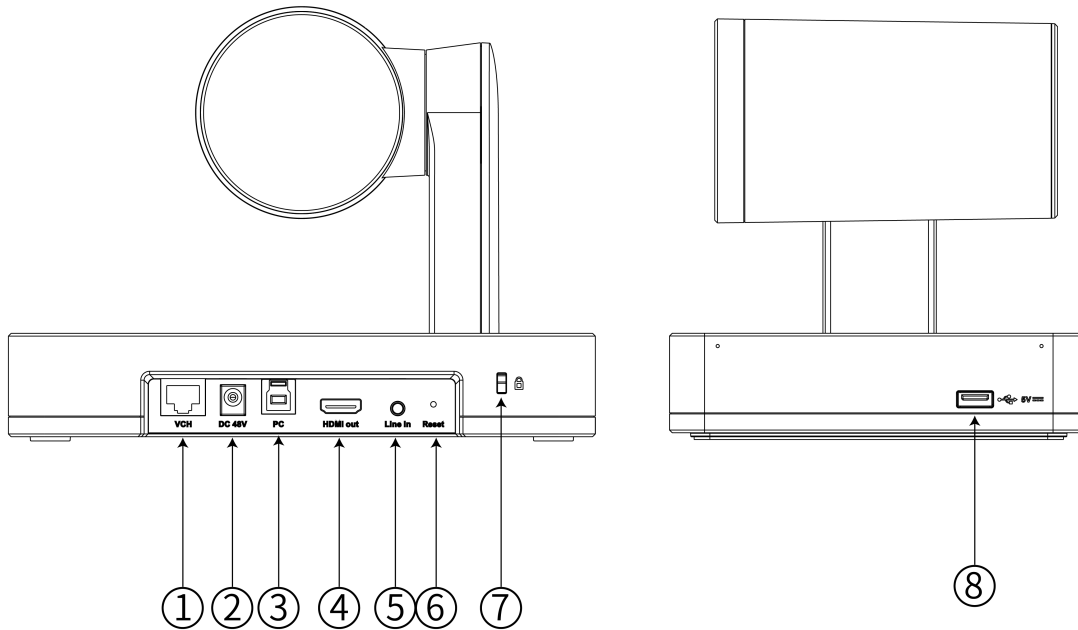
The usage of UVC86 with different conferencing endpoints is different. Please refer to the corresponding document

to know more about the connection, pairing and update of UVC86 with the different conferencing endpoints.

**Zoom Version:**

- Connect the UVC86 to MeetingEye 500: [MeetingEye 500](#)

**Hardware Instructions**



No.	Item	Description
1	VCH Port	In the MVC system, connect to audio device (for example: VCM34). In video conference system, connect to the endpoint (for example: MeetingEye 800).
2	DC48V	Connect to the power adapter.
3	PC Port	Connect to a PC as video output.
4	HDMI out	In the VCS system, used for sharing content or camera image (it does not apply to the MVC system).
5	Line in	The UVC86 can be connected to a third-party audio playback device via a 3.5mm audio cable, and the audio output from third-party audio device is used as an audio reference signal for the UVC86 voice tracking.
6	Reset	Reset the UVC86 to factory defaults.
7	Security slot	Connect a universal security cable to the UVC86 so that you can lock the UVC86 down.
8	USB-A Port	Connect to DD10 or USB disk.

## LED Indicator

LED Status	Description
Off	The UVC86 is powered off.
Solid green	The UVC86 is active.
Solid yellow	The UVC86 is in a state of being awakened but not transmitting images, or it's powered on but not connected to a host or computer.
Solid red	The UVC86 is in sleep mode.
Flashing orange	The UVC86 is upgrading firmware.
Flashing red	The UVC86 is in recovery mode.

**NOTE**

Please go [here](#) to download the datasheet.