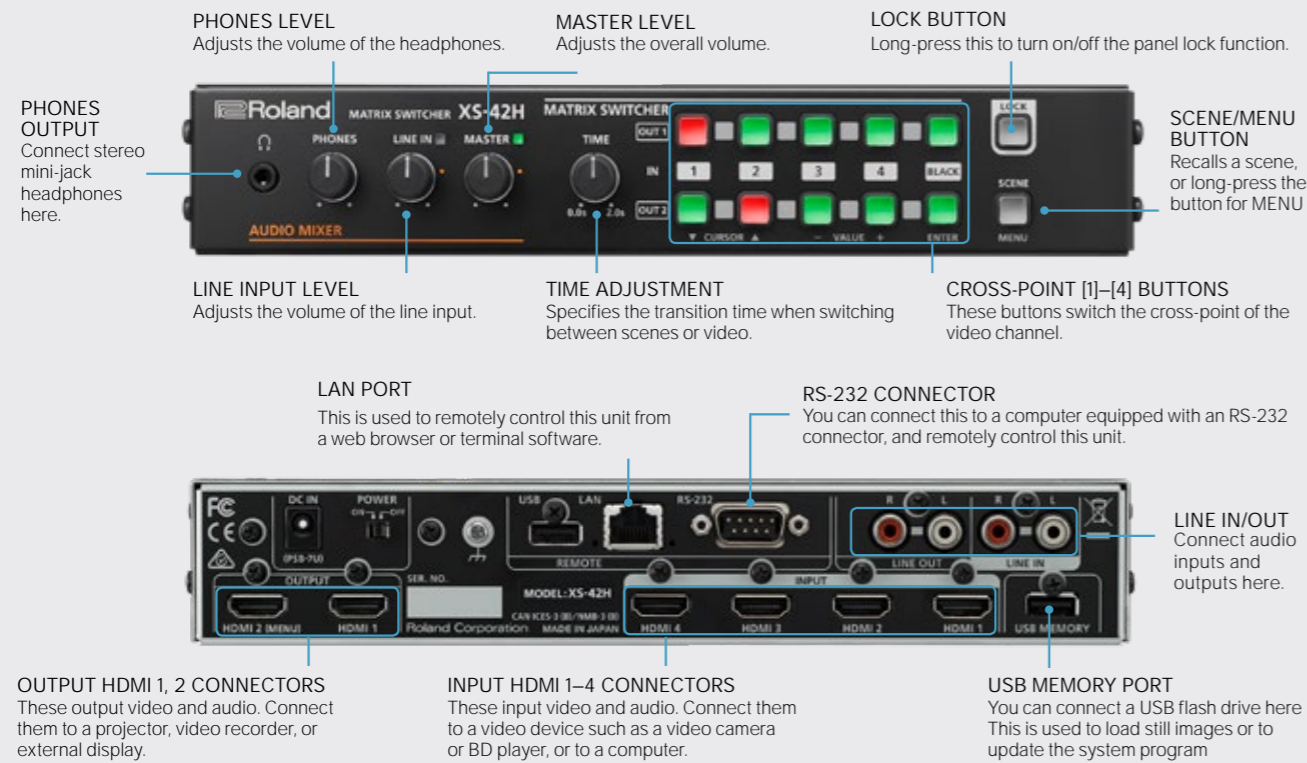


# XS-42H | MATRIX SWITCHER



Meet. Share. Repeat.

Switch up to 4 HDMI inputs to 1 or 2 displays  
Content displays automatically with Auto Input Detection  
Run and switch the meeting from a web browser on a tablet, phone or PC (connected to same network)

Automatic switching of audio along with video  
Arrange meeting presets for recalling common meeting set-ups with the push of a button



## No more 'guess the input'

Even when successfully connected to a display, you may not see 'your' screen because the correct input isn't selected. This triggers a cycle of chaos as you scramble for the right input settings, while everyone starts checking their smartphones. The XS-42H's auto input detection solves this problem by automatically switching to a newly connected device, making the transition to a new presenter incredibly smooth while keeping everyone focused on the meeting.



## DIY — Huddle without the hassle

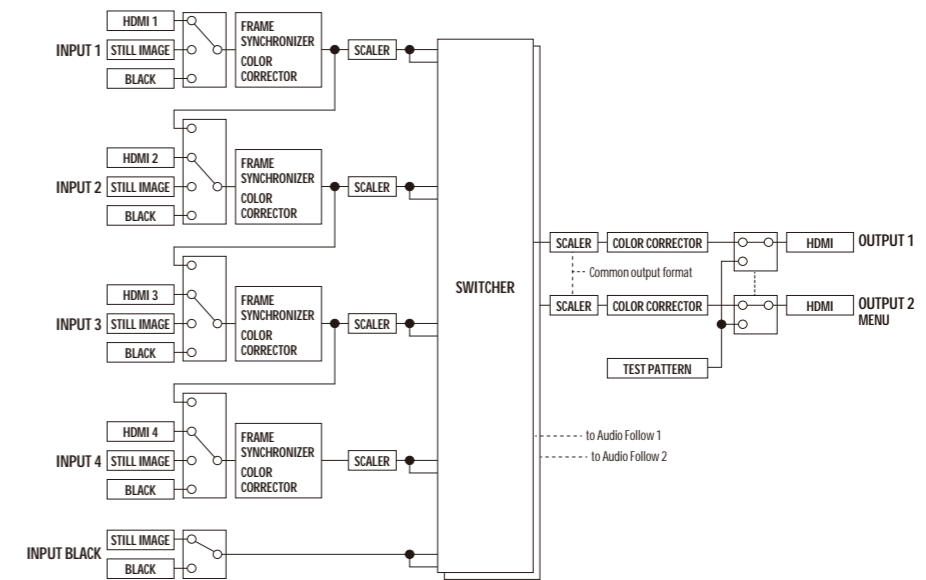
Professionally installed huddle space AV systems aren't cheap — and for smaller companies the cost is often prohibitive. But if you can mount a TV on a wall, then you can install and set up the Roland XS-42H, giving you a huddle space that'll make everyone's lives easier. The XS-42H is small, light and easy to position, and the supplied mounting bracket means it can be located out of sight, but ready for action. You don't even need to physically press the button to change input sources, as the XS-42H can be controlled from a web browser on your computer, tablet or smartphone.

## Connect with confidence

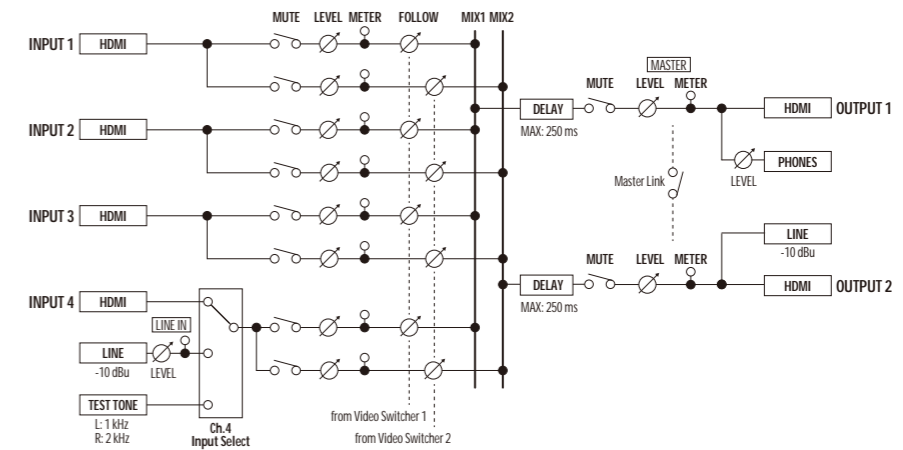
The XS-42H can connect and display a reassuring variety of sources. It achieves this in two ways; EDID and scaling. EDID (or Extended Display Identification Data) tells your PC or tablet the correct resolution to output, so you don't ever need to get involved. Scaling lets you connect, switch and display between a variety of different sources and resolutions — so no matter what's going in, it'll come out fine.

## BLOCK DIAGRAM

### VIDEO



### AUDIO



## SPECIFICATIONS XS-42H

VIDEO	
Processing	4:4:4 (Y/Pb/Pr, RGB)/10 bits, 4:2:2 (Y/Pb/Pr)/10 bits
Input Connectors	HDMI: HDMI type A x 4 (HDMI INPUT 1-4), * HDCP Supported
Output Connectors	HDMI: HDMI type A x 2 (HDMI OUTPUT 1-2), * HDCP Supported
Formats	480/59.94i (*1), 576/50i (*1), 480/59.94p (*1), 576/50p (*1), 720/59.94p, 720/50p, 1080/59.94i, 1080/50i, 1080/59.94p, 1080/50p, 800 x 600/60 (*1), 1024 x 768/60 (*2), 1280 x 720/60 (*2), 1280 x 800/60 (*2), 1366 x 768/60 (*2), 1280 x 1024/60 (*2), 1400 x 1050/60 (*2), 1600 x 1200/60, 1920 x 1080/60, 1920 x 1200/60 RB *Conforms to CEA-861-E/VESA DMT Version 1.0 Revision 11 *Frame rate is 59.94 Hz (NTSC) or 50 Hz (PAL). (*1) Input only. (*2) Output refresh rate is 75 Hz when frame rate is set to 50 Hz.
Composition	Layer: 1
Transition	Black-insert, Mix, Cut
Still Image	Internal Memory: 1 Maximum Size: 1920 x 1200 pixels Format: Windows Bitmap File (.bmp) 24 bit per pixel, uncompressed

AUDIO	
Sample Rate	48 kHz, 24 bits
Input Connectors	HDMI: HDMI type A x 4, AUDIO INPUT: RCA pin type
Output Connectors	HDMI: HDMI type A x 2, AUDIO OUTPUT: RCA pin type PHONES: Stereo mini type
Input Level	AUDIO INPUT: -10 dBu (Maximum: +8 dBu)
Input Impedance	AUDIO INPUT: 15 k ohms
Output Level	AUDIO OUTPUT: -10 dBu (Maximum: +8 dBu) PHONES: 72 mW + 72 mW (32 ohms)
Output Impedance	AUDIO OUTPUT: 1 k ohm PHONES: 10 ohms
Formats	HDMI: Linear PCM, 24 bits, 48 kHz, 2 ch
Processing	Mixer: 4 ch x 2 (Delay: Maximum 250 ms, Audio Follow)

OTHERS	
External Connectors	REMOTE RS-232: DB-9 type (Male) x 1 LAN: RJ45 x 1 USB: USB A type x 1 (Use for future expansion) USB MEMORY: USB A type x 1 (Use for USB Memory)
Functions	Scene Memory: 10 Test Pattern Generator Test Tone Generator EDID Emulator
Power Supply	AC Adaptor
Current Draw	2.1 A
Power Consumption	25 W
Operation Temperature	+0 to +40 degrees Celsius, +32 to +104 degrees Fahrenheit
Dimensions	242 (W) x 125 (D) x 44 (H) mm 9-9/16 (W) x 4-15/16 (D) x 1-3/4 (H) inches
Weight	1.2 kg, 2 lbs 11 oz
Accessories	Owner's Manual, Leaflet "USING THE UNIT SAFELY", AC adaptor, Power cord, Rubber feet (4 pcs.), Rack mount angle set

\* 0 dBu=0.775 Vrms