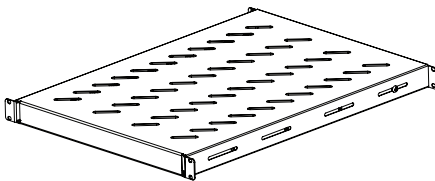

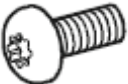

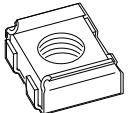


# Easy Rack 50 Kg Shelf Kit ER7SHELF

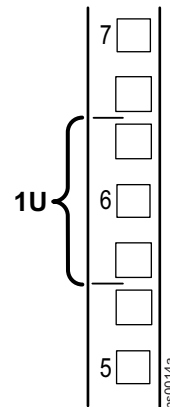
## Kit Instructions

The 1U, 50 kg Accessory Shelf can be installed to the vertical mounting flanges in an empty space in the Easy Rack to support your equipment.

ER7SHELF Inventory	Tools Required (not provided)
 <p>50 Kg Shelf (1)</p>	 <p>Torx® wrench</p>
 <p>M6 x 12 Pan Head T30 Screw (8)</p>	 <p>Cage nut tool</p>
 <p>Caged Nut M6 14/16 SWG (8)</p>	

**Proper location in the rack for the cage nuts:**

1. Locate the top and bottom U space on the vertical mounting rails. Every third hole on the mounting rails is numbered to indicate the middle of a U space.
2. Install the cage nuts on the interior of the vertical mounting rail; then install the shelf.



### ⚠ CAUTION

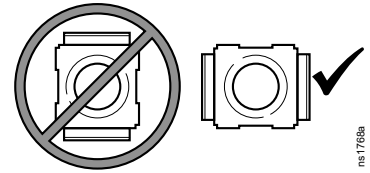
**FALLING EQUIPMENT HAZARD**

Do NOT install cage nuts vertically with the tabs engaging the top and bottom of the square hole.

**Failure to follow these instructions can result in injury or equipment damage.**

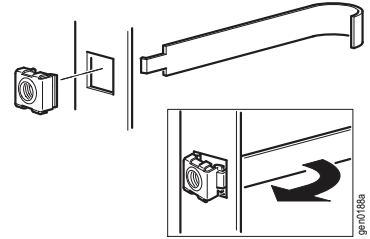
**Proper installation position for the cage nuts:**

- Install cage nuts horizontally, with the tabs engaging the sides of the square hole.
- Install the cage nuts on the interior of the vertical mounting rail.



**Install the cage nut:**

1. From the inside of the rack, insert the cage nut into the square hole.
2. Hook one tab of the cage nut assembly through the far side of the hole.
3. Place the cage nut tool on the other side of the cage nut and pull to snap into position.



**Remove the cage nut:**

1. Remove any attached screw.
2. Grasp the cage nut, squeeze the tabs on the sides, and push to release it from the square hole.

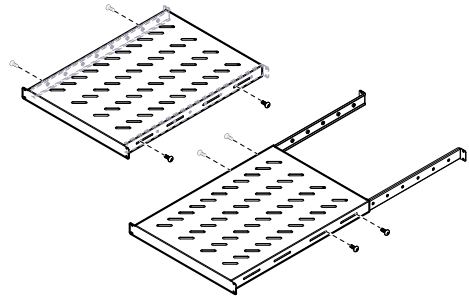
**50 kg Accessory Shelf Dimensions:**

The adjustable sliding rails on the 50 kg Accessory Shelf allow you to customize the depth from the minimum of 635mm (25.0 in) when retracted to a maximum of 1045mm (41.14 in) when fully extended.

**Adjust the rails:**

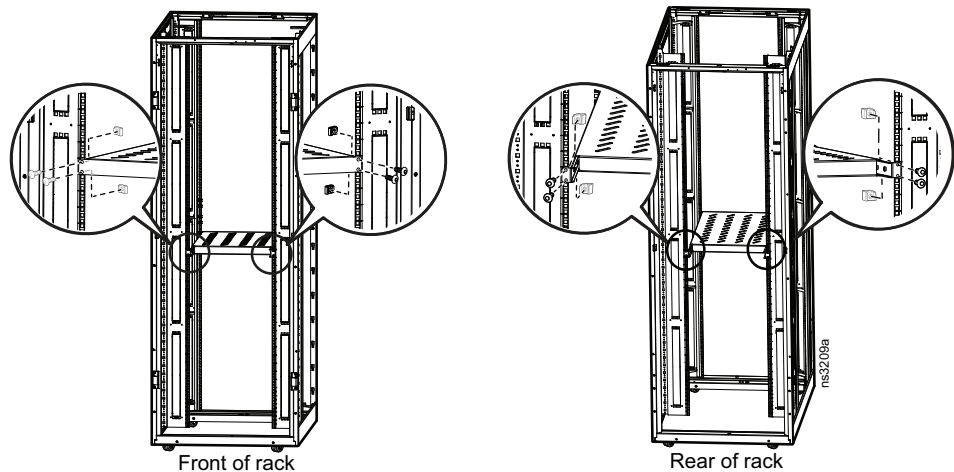
To extend the adjustable rails of the shelf:

1. Remove the four (4) M6 x 12 pan head T30 screws from the adjustable rails..
2. Pull the adjustable rails out to the required depth.
3. Install the four (4) M6 x 12 pan head T30 screws to secure the adjustable rails in their new location.



**Install the 50 kg Accessory Shelf:**

Install four (4) cage nuts (provided) to the two front vertical mounting rails as described above. Install four (4) cage nuts (provided) to the inside of the two rear vertical mounting rails as described above. At the front of the rack, attach four (4) M6 x 12 pan head T30 screws (provided) to the front of the shelf and into the four (4) cage nuts you installed in the vertical mounting rails. At the rear of the rack, install four (4) M6 x 12 pan head T30 screws (provided) to the adjustable rails on the rear of the shelf and through the four (4) cage nuts installed in the vertical mounting rails. The illustration below shows this installation process.



The Easy Racks in the illustration above are shown without doors or side panels for clarity.