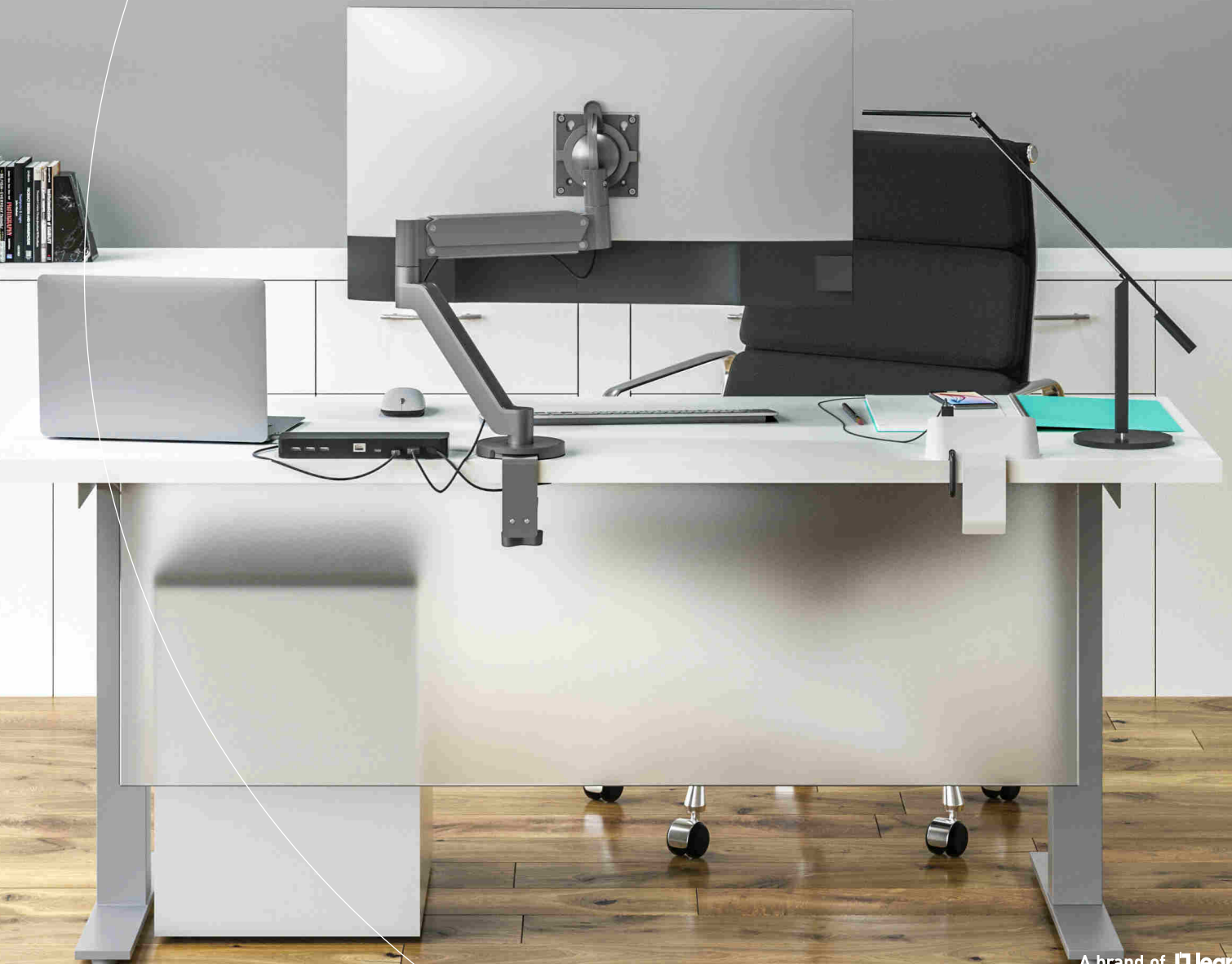


# koncīs™

Dynamic Monitor Arms





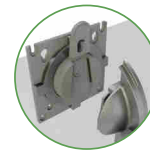
## Ergonomic Workspace Solutions

### Konics Dynamic Monitor Arm

Chief is proud to provide flexible workspace solutions designed to meet the needs of home and office. Konics Dynamic Monitor Arms feature an elegant design with enhanced ergonomics to ensure optimal productivity no matter where you are working. Our feature-rich design offers premium quality at a budget-friendly price.

#### Features

- **12" dynamic height adjustment** with smooth-motion gas spring technology
- **2 to 15 lbs weight capacity range** provides compatibility with most monitors up to 32"
- **Patented Centris™ Extreme Tilt** provides +65° to -10° of effortless fingertip tilt adjustment
- **Quick Release Monitor Interface** for ease of install and service, with 100x100 and 75x75 mm VESA compatibility
- **Pre-installed 180° Rotation Stop** protects walls and furniture panels (removable)
- **Integrated Cable Management & Tool Storage**
- Easily clamps to edge of desk or through 2 + grommet holes with included **2-piece desk clamp**
- Tested to meet or exceed **ANSI/BIFMA X5.5 Desk & Table Products** standard



Quick-Release Monitor Interface



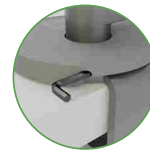
Centris™ Extreme Tilt



Integrated Cable Management



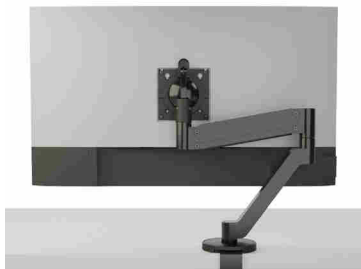
Weight Capacity Adjustment



Integrated Tool Storage



2-Piece Desk Clamp with Hand Knob



DMA1B

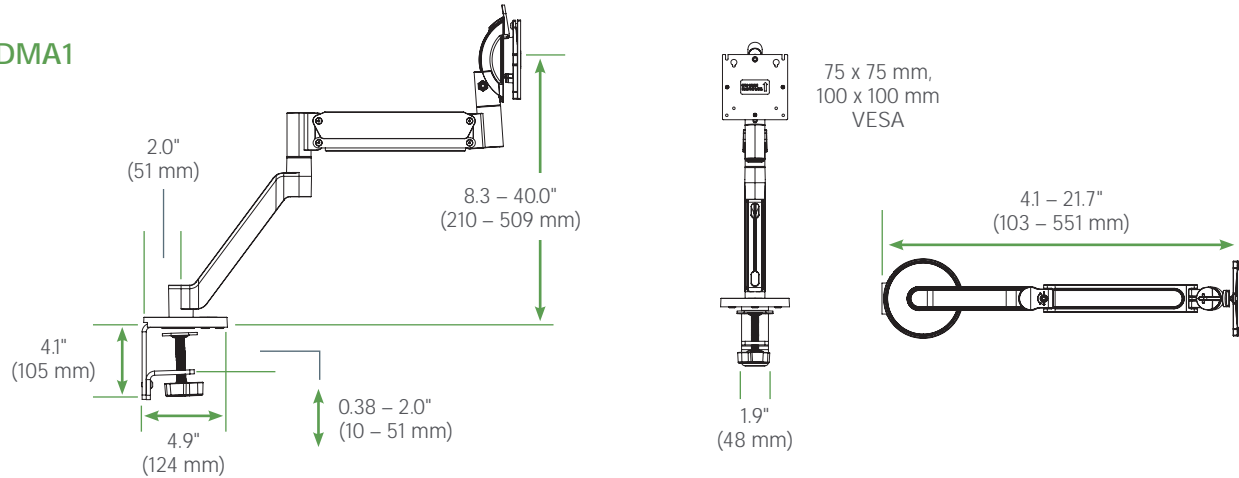


DMA2S

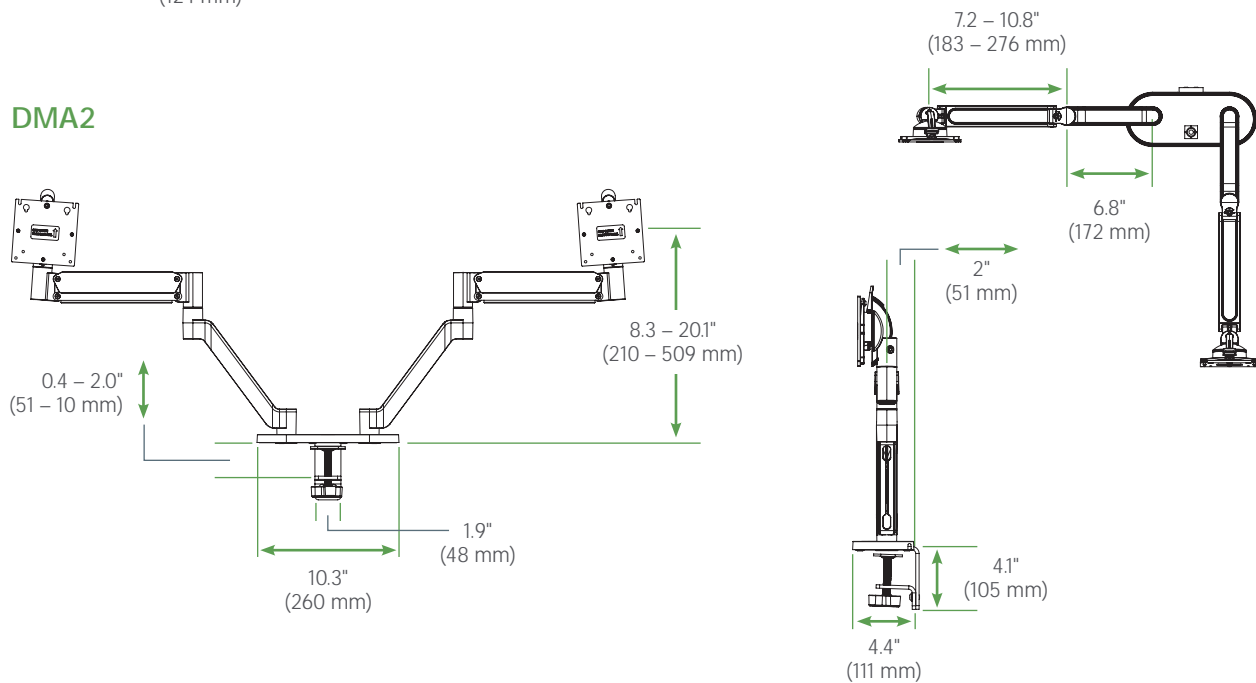
# Specifications

Model	Colors	Monitor Configuration	Weight Capacity (per monitor)	Typical Monitor Sizes	Dynamic Height Adjust	Minimum Depth	Maximum Extension	Tilt Adjustment Range	VESA Mounting Patterns
DMA1	S B	Single / Dual	2 – 15 lbs. (0.9 – 6.8 kg)	Up to 32"	12" (300 mm)	4" (103 mm)	21.7" (551 mm)	-10° to +65°	75 x 75 mm, 100 x 100 mm
DMA2									

## DMA1



## DMA2



# Compatible Accessories



### KRA300

Laptop and Tablet Tray



### WSPC220BK

Desktop Power Center, USB-A



### WSPC320CWH

Desktop Power Center, USB-A + USB-C



### Quick Ship Solutions

Konc s Series Monitor Arms are stocked globally, and typically ship in 48 hours or less!

### LEED the Way

Konc s Series Monitor Arms qualify for LEED® Materials & Resources credits 4.1 and 4.2 for recycled content, and may qualify for Innovation in Design credit by contributing to ergonomic workspaces.

### Quality You Can Rely On

In conjunction with our company-wide sustainability initiatives, Konc s Series Monitor Arms are designed to be RoHS compliant. We stand behind our products and warrant that they be free of defects in material and workmanship for 10 years. Visit [legrandav.com/warranty](http://legrandav.com/warranty) for details.

### Available Resources

2020 CAP & GIZA, Configura CET Designer, KITS Collaborator, Mortarr, My Resource Library, and ProjectMatrix



INSTALLER INSPIRED | [legrandav.com](http://legrandav.com)

USA	866.977.3901	<a href="mailto:av.chief.support@legrand.com">av.chief.support@legrand.com</a>
CANADA	877.345.4329	<a href="mailto:av.chief.canada@legrand.com">av.chief.canada@legrand.com</a>
EMEA	+31 495 580 840	<a href="mailto:av.emea.sales@legrand.com">av.emea.sales@legrand.com</a>
APAC	+852 2145 4099	<a href="mailto:av.asia.sales@legrand.com">av.asia.sales@legrand.com</a>

©2020 Legrand AV Inc. 200658 11/20 Chief is a registered trademark of Legrand AV Inc. All other brand names or marks are used for identification purposes and are trademarks of their respective owners. All patents are protected under existing designations. Other patents pending.

A brand of **legrand**

COMMERCIAL AV BRANDS

C2G | Chief | Da-Lite | Luxul | Middle Atlantic | Vaddio | Wiremold