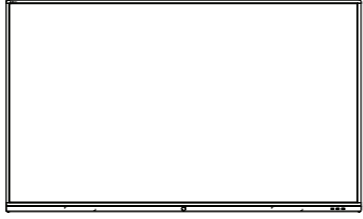
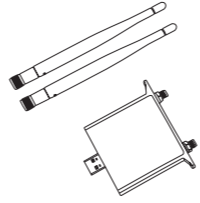
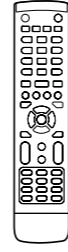

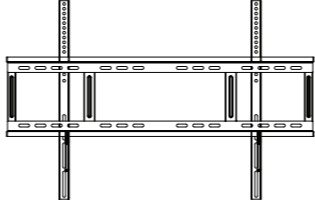
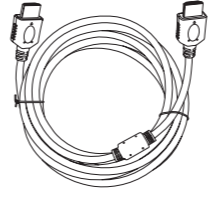


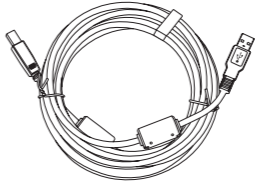

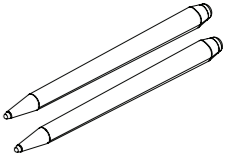
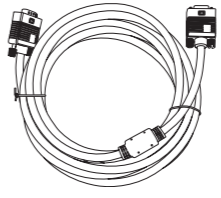
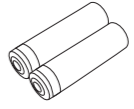
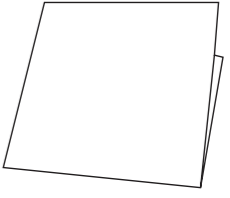
NovoTouch

Quick Start Guide

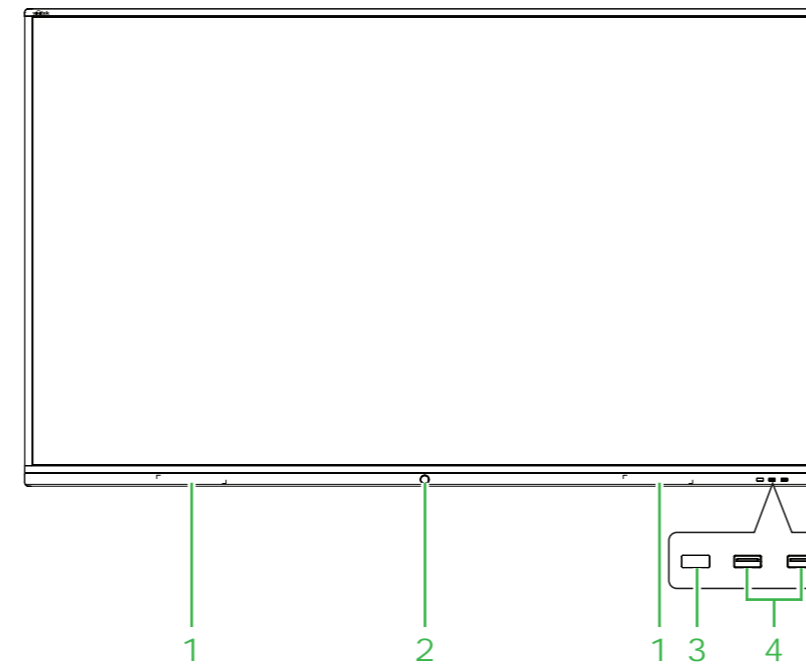
(For EK653i / EK753i / EK863i)

Package Contents

		
Display	Wi-Fi USB Module (with Antennas)	Remote Control
		
Power Cable	Wall Mount	HDMI Cable

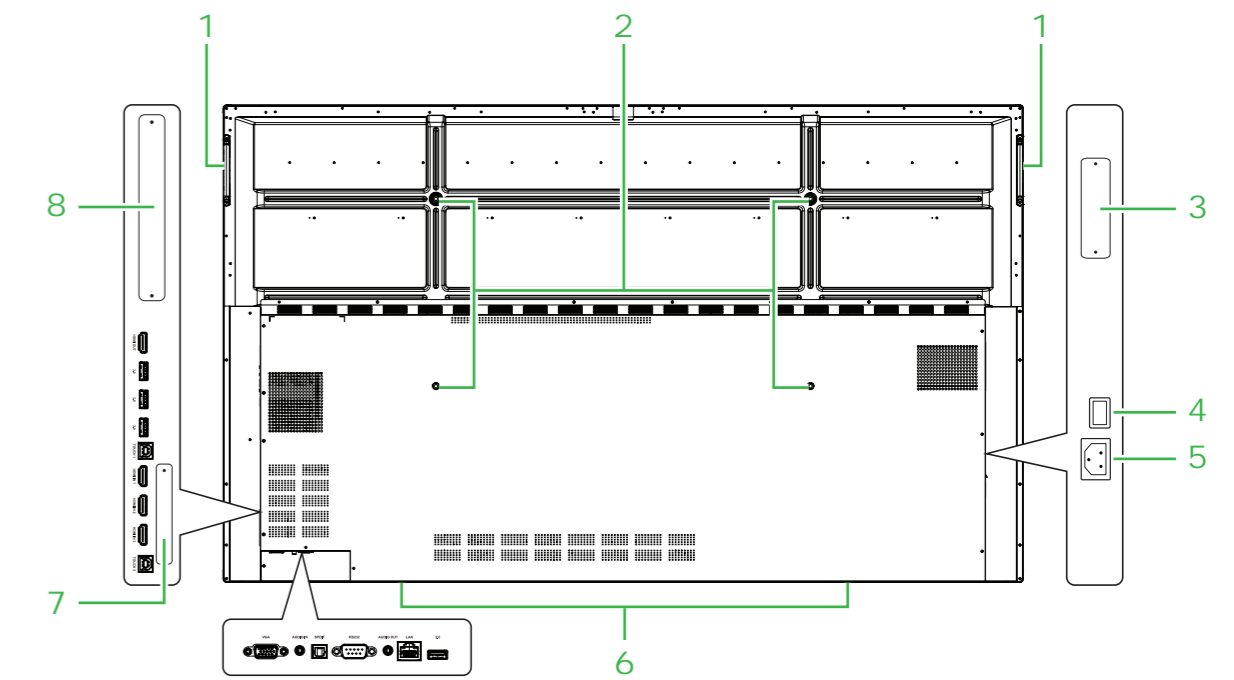
		
USB Cable	Audio Cable	Stylus x 2
		
VGA Cable	Batteries	Quick Start Guide

Display Overview (Front)



- 1 Magnetic Stylus Holders
- 2 Power Button and Status Indicator LED
- 3 IR Sensor (for Remote Control)
- 4 USB 2.0 Port x 2

Display Overview (Rear)



- 1 Handles
- 2 Wall Mount Screw Holes
- 3 120-Pin OPS Slot (NovoConnect Module)
- 4 Power Switch
- 5 Power Socket
- 6 Speakers
- 7 Wi-Fi Module Slot
- 8 80-Pin Standard Intel OPS Slot



Vivitek America

46101 Fremont Blvd, Fremont, CA 94538
U.S.A.
T: +1-510-668-5100
F: +1-510-668-0680

Vivitek Asia

7F, No. 186, Ruey Kuang Road, Neihu, Taipei 11491,
Taiwan R.O.C.
T: +886-2-8797-2088
F: +886-2-6600-2358

Vivitek Europe

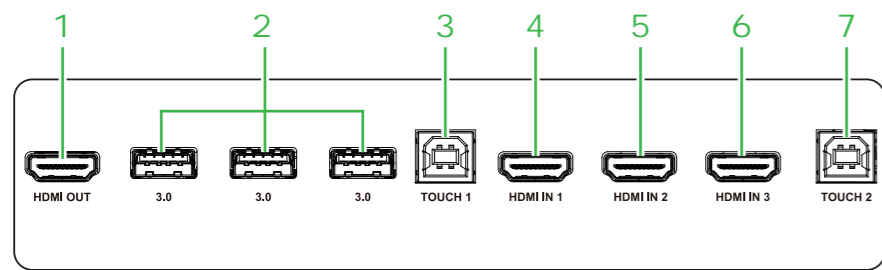
Zandsteen 15, 2132 MZ Hoofddorp
The Netherlands
T: +31-20-800-3960
F: +31-20-655-0999

www.vivitekcorp.com

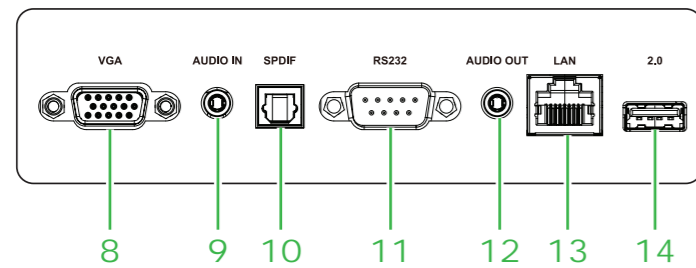
A brand of  DELTA

Ports and Connectors

Right

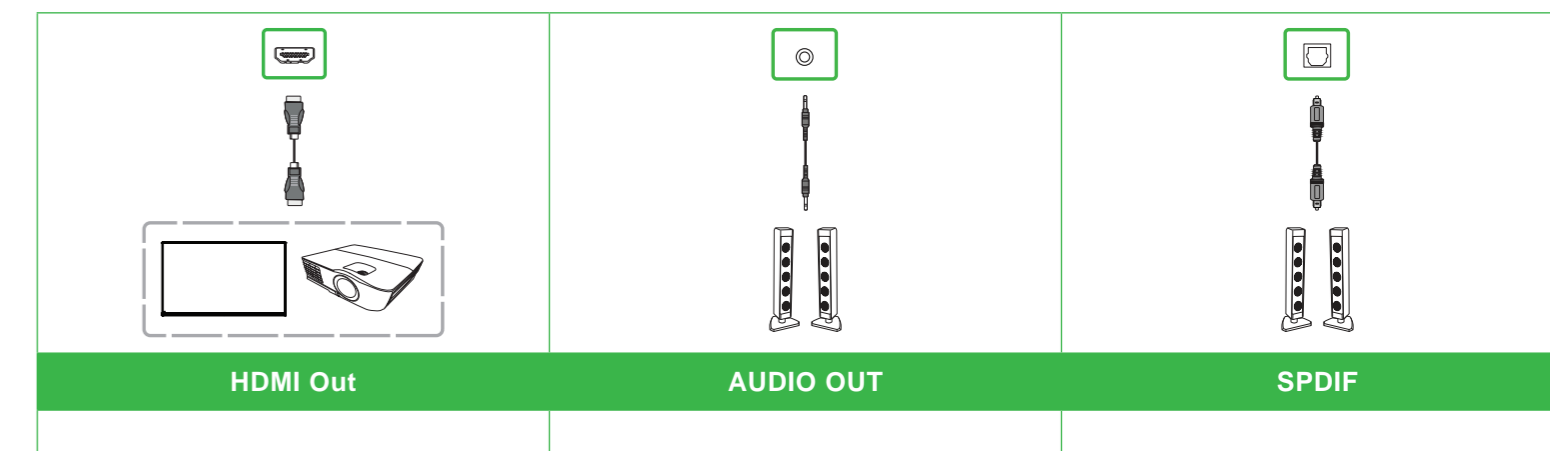
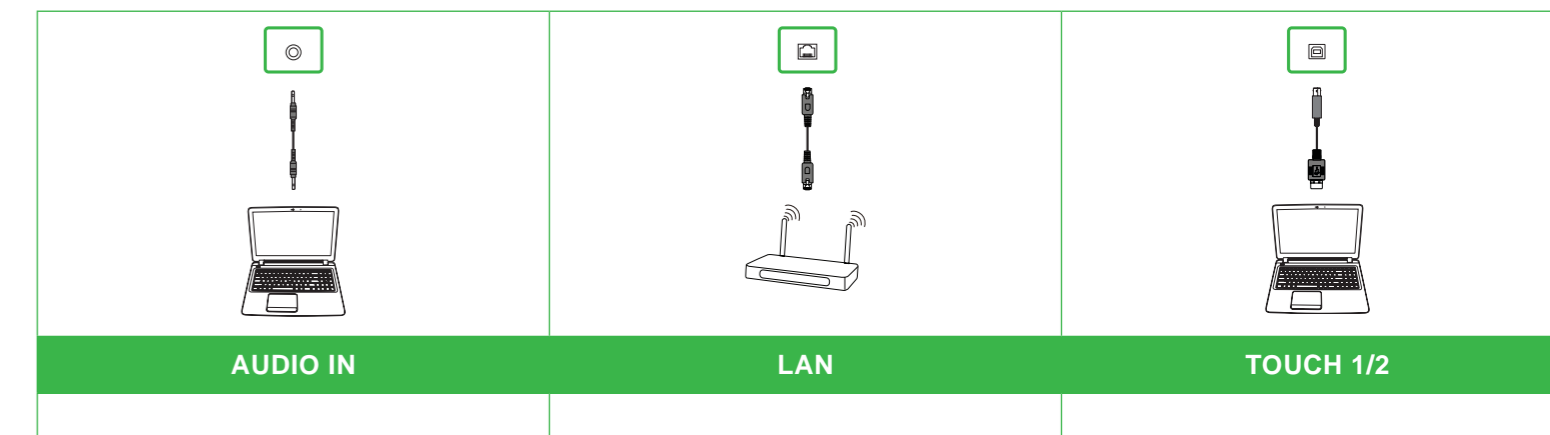
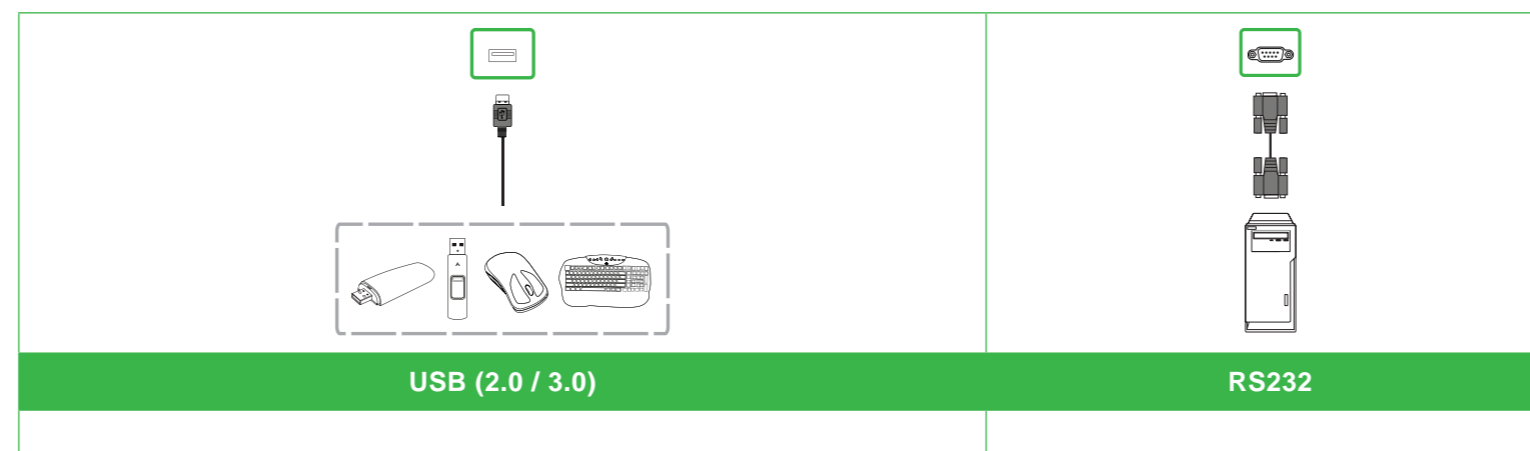
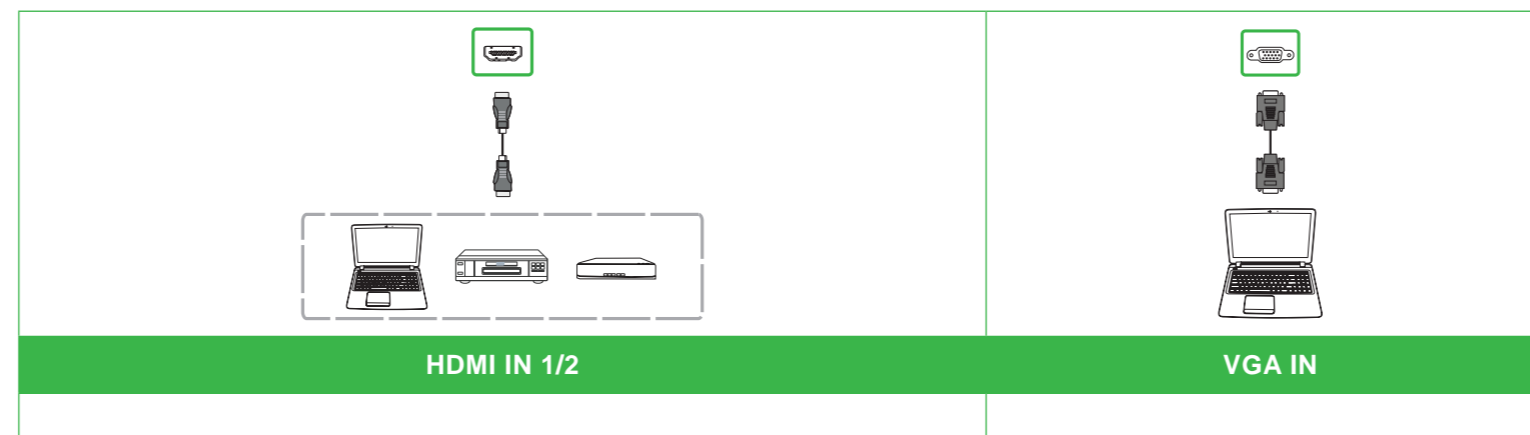


Bottom

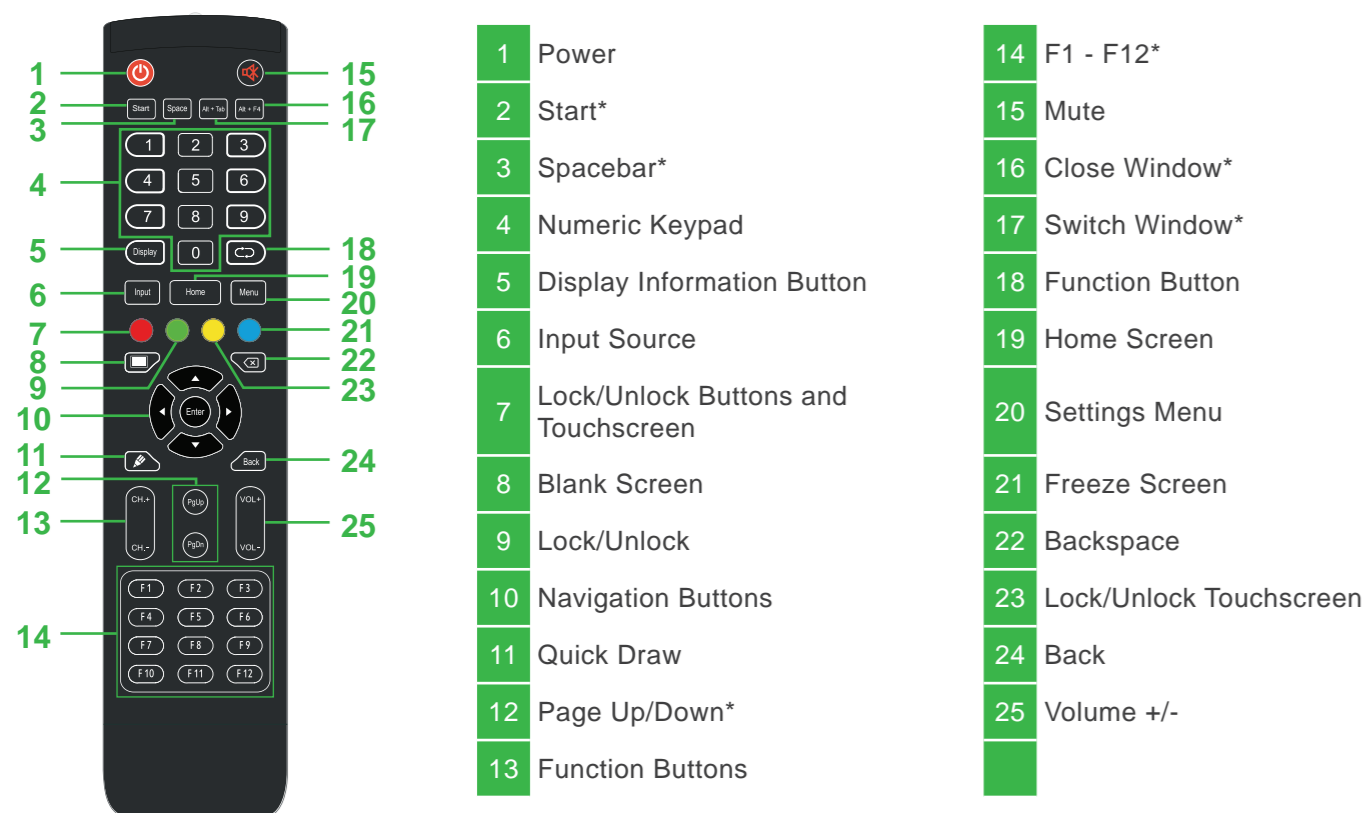


- | | | |
|---|---|-------------------|
| 1 HDMI Out Port | 6 HDMI In Port 3 | 11 RS-232 In Port |
| 2 USB 3.0 Ports x 3 | 7 Touch (USB-B) Port 2 (for use with HDMI 2 Only) | 12 Audio Out Jack |
| 3 Touch (USB-B) Port 1 (for use with HDMI 1 Only) | 8 VGA In Port | 13 LAN Port |
| 4 HDMI In Port 1 | 9 Audio In Jack | 14 USB 2.0 Port |
| 5 HDMI In Port 2 | 10 SPDIF Port | |

Connections



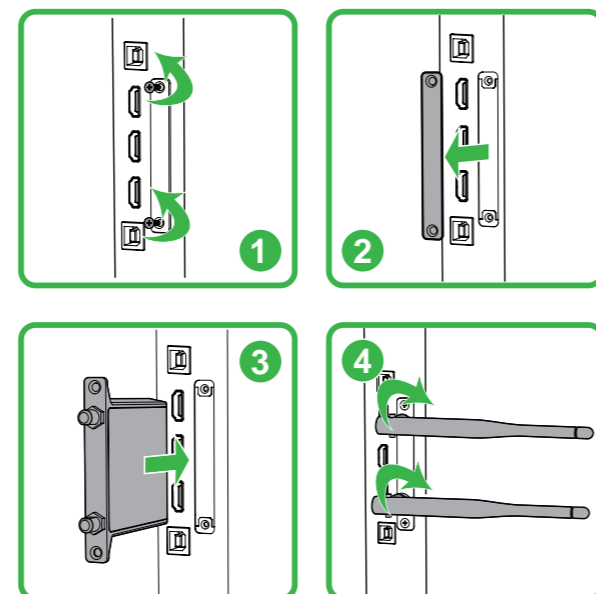
Remote Control



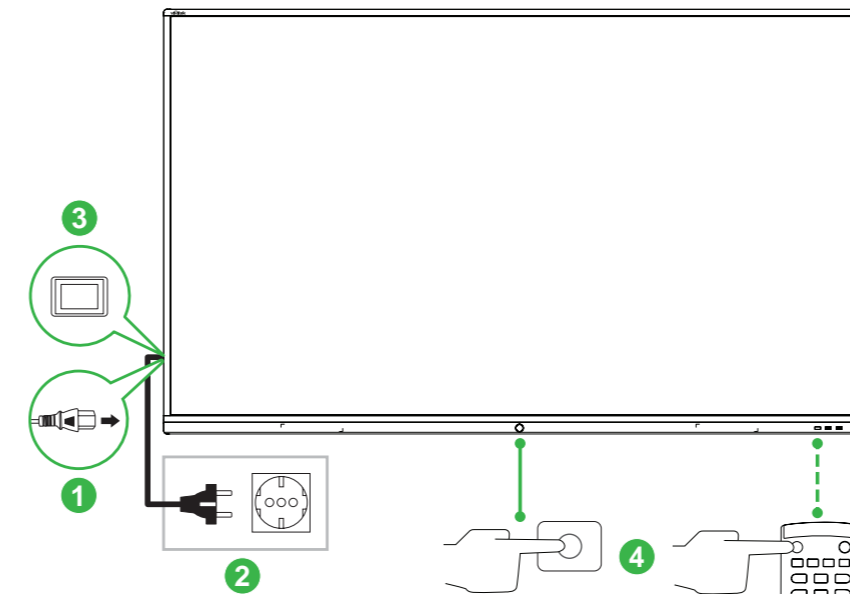
*Only functional when the optional Windows OPS unit is installed into the display.

Getting Started

Remove the Wi-Fi module cover, install the Wi-Fi module, and then install the antennas onto the module.



Plug the power cable into the display and a power source, turn the power switch on, and then press the power button.



Home Screen

