

GERMANY'S NO. 1*
PSU MANUFACTURER

be quiet!®



SYSTEM POWER 9

PROVEN RELIABILITY AND GOOD EFFICIENCY

700W CM · 600W CM · 500W CM · 400W CM

IDEAL APPLICATIONS

Office applications
Entry-level gaming systems
Multi-GPU workstations
Multimedia and home theater systems

HIGHLIGHTS

80 PLUS® Bronze efficiency
DC-to-DC technology
Multi-GPU support
Quiet operation

Proven Reliability and Good Efficiency

The be quiet! System Power 9 series offers renowned be quiet! reliability and quietness for price-conscious PC builders.

Highlights »

- Rock-solid stability with two strong 12V-rails
- DC-to-DC technology for tight voltage regulation
- Multi-GPU support with up to four PCIe connectors
- Temperature-controlled 120mm fan reduces system noise
- Stand-by drain of less than 0.15 watts
- 80 PLUS Bronze efficiency (up to 89%)
- Semi-modular, high-quality sleeved and flat cables
- All-in-one cable with S-ATA, HDD and FDD connectors
- Complete suite of top safety features
- Meets latest Intel® C6/C7, ErP and Energy Star 6.1 guidelines
- 3-year manufacturer's warranty
- Product conception, design and quality control in Germany

System Power 9 CM »

Simply the best price-conscious choice for stability, performance and quietness.

+ CABLE MANAGEMENT



SYSTEM POWER 9

PROVEN RELIABILITY AND GOOD EFFICIENCY

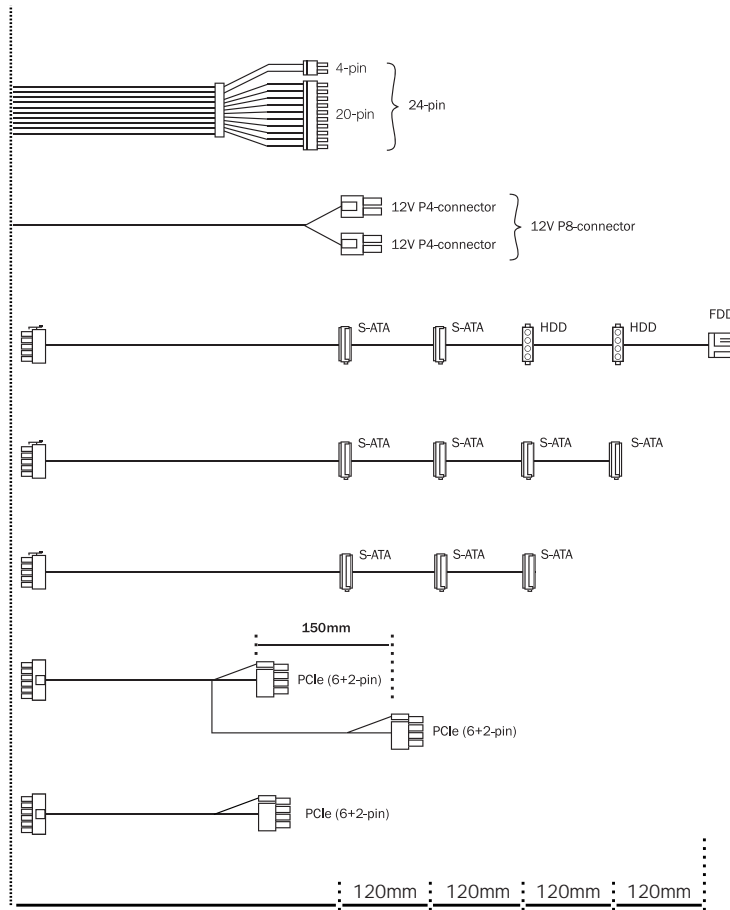
Technical Data »					
IN GENERAL	Model	700W CM	600W CM	500W CM	400W CM
	Voltage (Vac) / Frequency (Hz)	200-240 / 50	200-240 / 50	200-240 / 50	200-240 / 50
	Dimensions (L x W x H)	140 x 150 x 86	140 x 150 x 86	140 x 150 x 86	140 x 150 x 86
	ATX 12V 2.51 / EPS 12V 2.92	✓ / ✓	✓ / ✓	✓ / -	✓ / -
	High-quality fan (mm)	120	120	120	120
	Noise level (dB(A)) at 20 / 50 / 100% load	9.7 / 14.1 / 31.7	9.7 / 11.5 / 28.1	9.7 / 11.5 / 24.4	9.3 / 9.7 / 15
	12V-rails	2	2	2	2
	Power Good signal	100-150ms	100-150ms	100-150ms	100-150ms
	PFC	active	active	active	active
	Efficiency (%) at 230V	80 PLUS Bronze 230V EU internal / up to 89%	80 PLUS Bronze 230V EU internal / up to 89%	80 PLUS Bronze 230V EU internal / up to 89%	80 PLUS Bronze 230V EU internal / up to 89%
	Energy Star 6.1 compatible	✓	✓	✓	✓
	ErP ready / Power in stand-by (W)	✓ / 0.15	✓ / 0.15	✓ / 0.15	✓ / 0.15
	OCP, OVP, UVP, SCP, OPP, OTP	✓	✓	✓	✓
	Lifetime of PSU at 25°C (h)	100,000	100,000	100,000	100,000
CABLES	No. of cables	7	7	6	5
	Maximum cable length (cm)	103	103	103	103
	Length of ATX-connection cable (cm)	55	55	55	45
	Sleeved cables	✓	✓	✓	✓
CONNECTORS	ATX motherboard (20+4-pin)	✓	✓	✓	✓
	PCI express (6+2-pin)	4	4	2	2
	P8-/P4-connector	1x P4+4	1x P4+4	1x P4+4	1x P4+4
	S-ATA (5-pin)	10	10	6	5
	P-ATA (4-pin)	2	2	2	2

Output Data »											
SYSTEM POWER 9 700W CM	AC Input	200-240Vac 50Hz 6A									
	DC Output	3.3V	5V	12V1	12V2	-12V	5VSB				
	Max. Current	24A	15A	33A	25A	0.3A	3A				
	Max. Combined Power	130W		672W		3.6W	15W	700W			
SYSTEM POWER 9 500W CM	AC Input	200-240Vac 50Hz 4A									
	DC Output	3.3V	5V	12V1	12V2	-12V	5VSB				
	Max. Current	24A	15A	24A	20A	0.3A	3A				
	Max. Combined Power	110W		456W		3.6W	15W	500W			
SYSTEM POWER 9 600W CM	AC Input	200-240Vac 50Hz 6A									
	DC Output	3.3V	5V	12V1	12V2	-12V	5VSB				
	Max. Current	24A	15A	28A	22A	0.3A	3A				
	Max. Combined Power	120W		576W		3.6W	15W	600W			
SYSTEM POWER 9 400W CM	AC Input	200-240Vac 50Hz 4A									
	DC Output	3.3V	5V	12V1	12V2	-12V	5VSB				
	Max. Current	24A	15A	22A	18A	0.3A	3A				
	Max. Combined Power	103W		384W		3.6W	15W	400W			

SYSTEM POWER 9

PROVEN RELIABILITY AND GOOD EFFICIENCY

Cables »



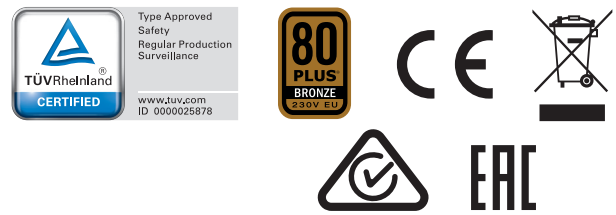
Cable length to first connector

	700W CM	600W CM	500W CM	400W CM
24-pin	550mm	550mm	550mm	450mm
12V P8	600mm	600mm	600mm	600mm
S-ATA	550mm	550mm	550mm	550mm
HDD	550mm	550mm	550mm	550mm
FDD	550mm	550mm	550mm	550mm
S-ATA (2x)	550mm 2x	550mm 2x	550mm	-
S-ATA (3x)	-	-	-	550mm
PCIe (6+2-pin) (2x)	500mm 2x	500mm 2x	-	500mm
PCIe (6+2-pin) (2x)	-	-	500mm 2x	-

Logistics data »

Region	Model	Article no	EAN code
EU	System Power 9 400W CM	BN300	4260052187210
EU	System Power 9 500W CM	BN301	4260052187227
EU	System Power 9 600W CM	BN302	4260052187234
EU	System Power 9 700W CM	BN303	4260052187241
AU	System Power 9 400W CM	BN918	4260052187449
AU	System Power 9 500W CM	BN919	4260052187456
AU	System Power 9 600W CM	BN920	4260052187463
AU	System Power 9 700W CM	BN921	4260052187470

Certifications »



Contact »

be quiet! Headquarters
 Listan GmbH
 Biedenkamp 3A
 21509 Glindede
 Germany

Service hotline: +49 40 7367 686 44
 (mon. - fri., 9am to 5.30pm CET)

e-mail: service@bequiet.com
 Visit the contact section on bequiet.com
 for the right regional service information.