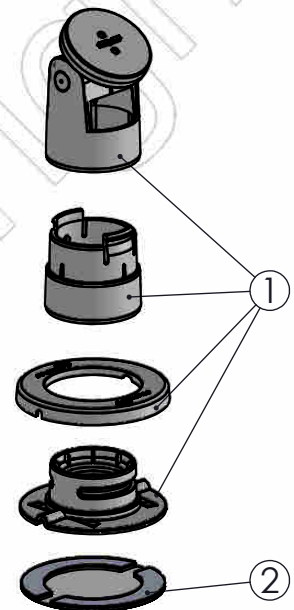
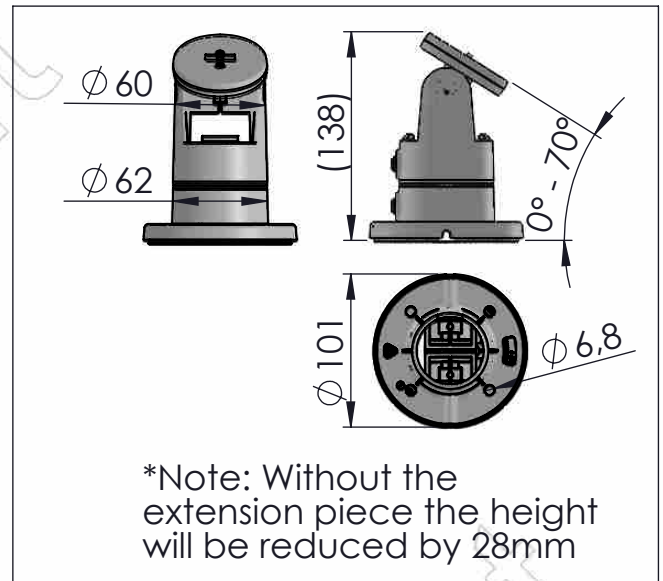
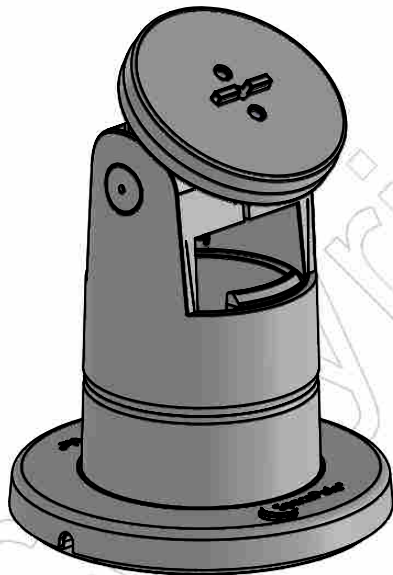


Version: 1.1



POS	PARTS LIST	QTY.	DESCRIPTION	BOX
1	P44-00017-nn	1	SpacePole Stack, with SpacePole logo	
2	P22-00095	1	Double-sided split adhesive tape Ø95 x Ø65mm	
	M9988-0417-02	4	Flange head chipboard screw Ø4x17mm	
	M9992-0004	1	4mm Allen key	
	MK15-0227	1	SpacePole Stack Installation Guide	
	B036	1	Box L244.5xW176xH63mm / L9.6xW6.9xH2.5in	
	B036A	1	Insert for box B036	

ADDITIONAL INFO: Use guide: P44-00017-packaging-guide

QTY. of configs in master box: 1

Item Weight: 0.18 kg | 0.40 lbs

Pallet Capacity: 368 items (B036)

Colour: nn

02 = Black

62 = IGP White