

# PM43 | PM43c

## Wi-Fi + Bluetooth Module Installation Instructions

Wi-Fi + Bluetooth 模块安装说明

Wi-Fi + Bluetooth 模組安裝說明

Instructions d'installation du module Wi-Fi + Bluetooth

Installationsanleitung für Wi-Fi + Bluetooth-Modul

Istruzioni per l'installazione del modulo Wi-Fi + Bluetooth

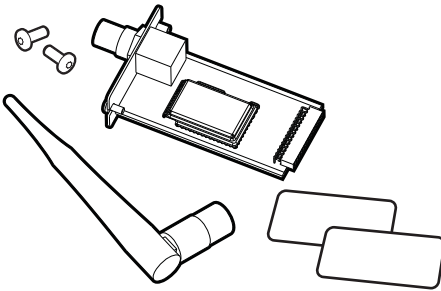
Wi-Fi + Bluetooth 모듈 설치 안내

Instruções de Instalação do Módulo Wi-Fi + Bluetooth

Инструкции по установке модуля Wi-Fi + Bluetooth

Instrucciones para instalar el módulo de Wi-Fi + Bluetooth

Wi-Fi + Bluetooth Modülü Kurulum Talimatları



**Caution:** Turn the printer off and disconnect it from power before you begin.

注意：开始前，请先关闭打印机并断开电源连接。

注意：開始前，先關閉印表機並中斷電源。

**Attention:** Éteignez l'imprimante et débranchez-la de l'alimentation avant de commencer.

**Vorsicht:** Den Drucker ausschalten und vor dem Beginnen das Netzkabel abziehen.

**Attenzione:** Prima di iniziare, spegnere la stampante e scollegare il cavo di alimentazione.

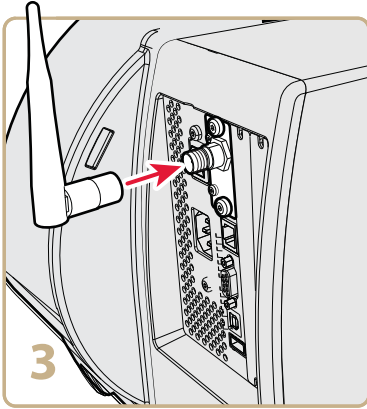
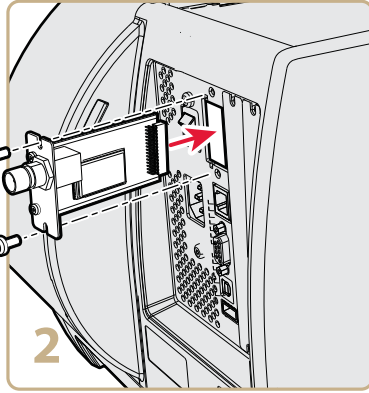
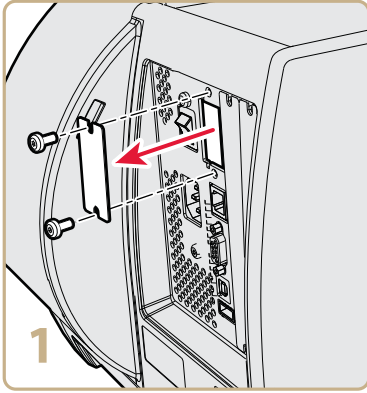
주의: 시작하기 전에 프린터를 끄고 전원 연결을 해제합니다.

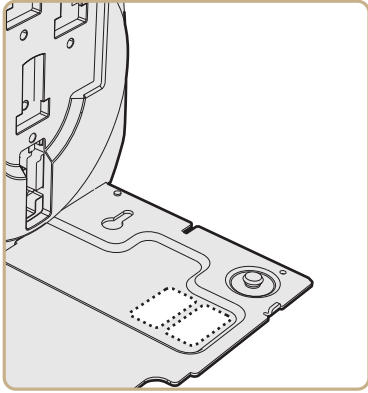
**Cuidado:** Antes de começar, desligue a impressora e desconecte-a da eletricidade.

**Осторожно:** Прежде чем начать, выключите принтер и отсоедините его от источника питания.

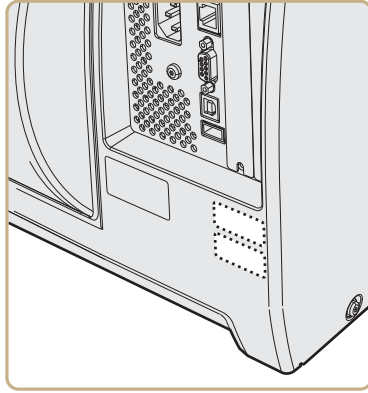
**Precaución:** Apague la impresora y desconéctela del suministro eléctrico antes de comenzar.

**Dikkat:** Başlamadan önce yazıcıyı kapatın ve güç bağlantısını kesin.





**PM43c**



**PM43**



Worldwide Headquarters  
6001 36th Avenue West  
Everett, Washington 98203  
U.S.A.

tel 425.348.2600

fax 425.355.9551

[www.intermec.com](http://www.intermec.com)

© 2012 Intermec Technologies  
Corporation. All rights reserved.



PM43 and PM43c Wi-Fi + Bluetooth Module Installation Instructions

\* 931 - 096 - 001 \*

P/N 931-096-001