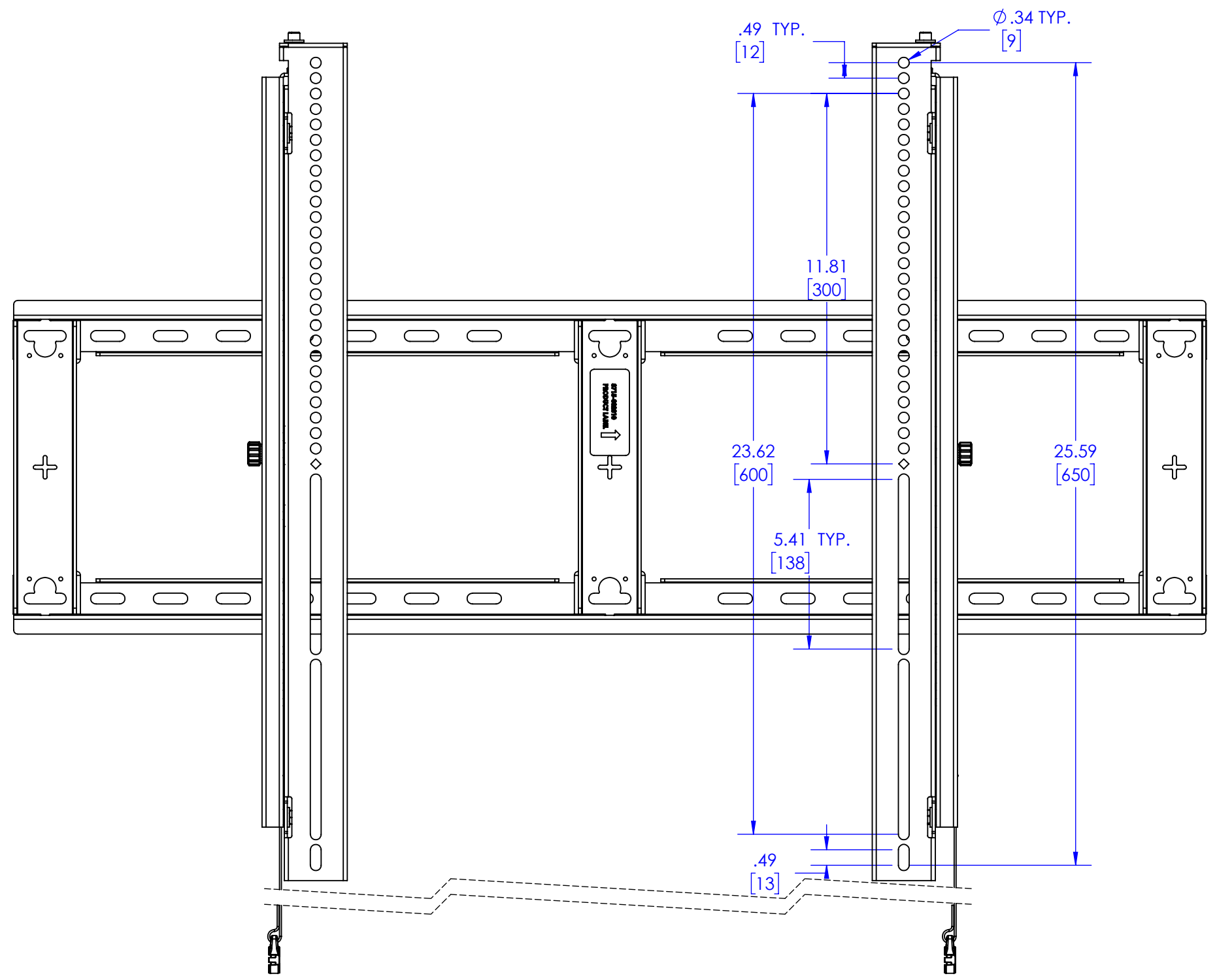


KICKSTAND IN FLAT LOCKOUT

THE INFORMATION AND DESIGNS CONTAINED IN THIS DRAWING ARE CONFIDENTIAL AND THE PROPRIETARY PROPERTY OF LEGRAND | AV. NEITHER THIS DESIGN NOR ANY INFORMATION CONTAINED IN THIS DRAWING MAY BE REPRODUCED OR DISCLOSED TO OTHERS WITHOUT THE EXPRESS WRITTEN CONSENT OF LEGRAND | AV.

CAD GENERATED DRAWING, DO NOT MANUALLY UPDATE.				6436 CITY WEST PKWY EDEN PRAIRIE MN, 55344 PHONE: 866-977-3901 FAX: 877-894-6918	
DRAWN BY	JF	6/30/2021	DESCRIPTION		
ENG APPROVAL			EXTRA-LARGE UNIVERSAL TILT MOUNT		
MFG APPROVAL			MODEL NO.		
QA APPROVAL			RXT3		
SHEET 2 OF 3		SCALE	SIZE	DWG. NO.	REV.
		1:4	B	TECH-001145	00



THE INFORMATION AND DESIGNS CONTAINED IN THIS DRAWING ARE CONFIDENTIAL AND THE PROPRIETARY PROPERTY OF LEGRAND | AV. NEITHER THIS DESIGN NOR ANY INFORMATION CONTAINED IN THIS DRAWING MAY BE REPRODUCED OR DISCLOSED TO OTHERS WITHOUT THE EXPRESS WRITTEN CONSENT OF LEGRAND | AV.

CAD GENERATED DRAWING, DO NOT MANUALLY UPDATE.		<p>6436 CITY WEST PKWY EDEN PRAIRIE MN, 55344 PHONE: 866-977-3901 FAX: 877-894-6918</p>
DRAWN BY	JF 6/30/2021	
ENG APPROVAL		DESCRIPTION
MFG APPROVAL		EXTRA-LARGE UNIVERSAL TILT MOUNT
QA APPROVAL		MODEL NO.
		RXT3
SHEET 3 OF 3	SCALE 1:4	SIZE DWG. NO. B TECH-001145
		REV. 00