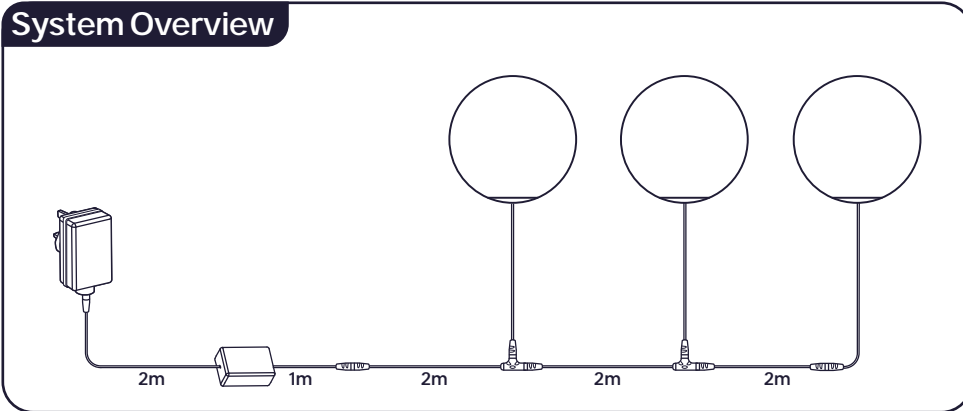


innr

smart lighting

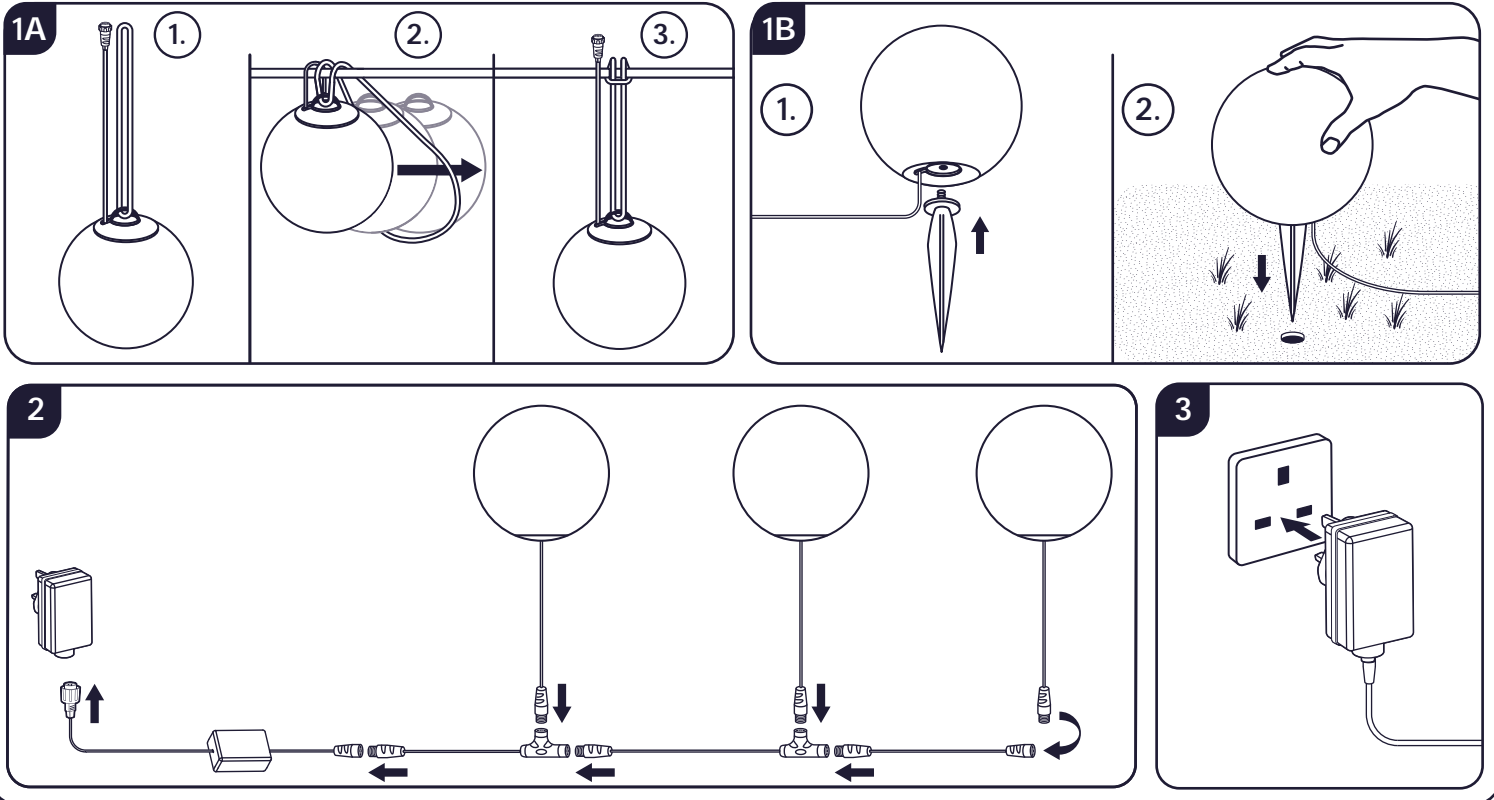
System Overview



Attention

Expandable to a maximum of 5 globes.

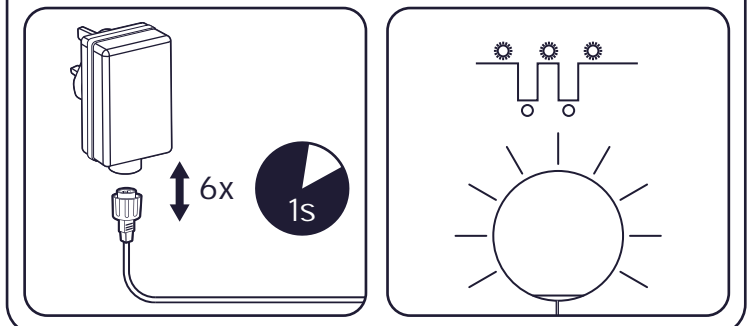
Installation



Connection

To connect the lamp to the bridge, follow the instructions in the mobile app.

Factory reset



Important safety instructions

- Suitable for outdoor use
- Do not disassemble the product; if any part is damaged, the product should not be used.
- Do not immerse in water.
- For cleaning, use a damp cloth, never a strong cleaning agent.
- Keep these instructions for future use.

Declaration of Conformity for Great Britain

Hereby, Innr Lighting BV declares that the radio equipment types OGL 13x C /05,OGL 23x C /05 are in compliance with relevant statutory requirements.

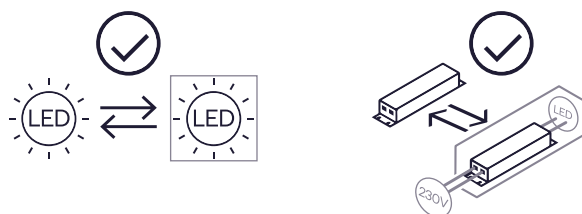
The full text of the declaration of conformity is available at the following internet address:
www.innrlighting.com/en/downloads

Frequency: 2.4 GHz (2400 ~ 2483.5MHz) - RF power: max. 10 dBm

This product contains light sources of energy efficiency class G.



Replaceable by consumer



© Innr Lighting B.V. 2021

www.innr.com