

## Neomounts tv wall mount

**Brand :** Neomounts

**Product code:** WL35S-850BL14

**Product name :** Neomounts tv wall mount

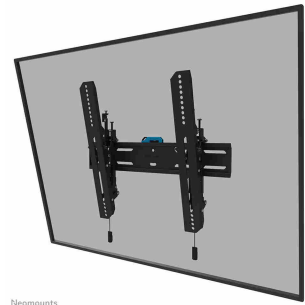
Neomounts WL35S-850BL14 tiltable wall mount for 32-75" screens - Black

[Neomounts tv wall mount:](#)

The Neomounts WL35S-850BL14 LEVEL is a tiltable wall mount for flat screens up to 75" with a maximum weight capacity of 50 kg. Height and level adjustment is available for the perfect installation.

The LEVEL-850 wall mount has a depth of 3,3 cm and is suitable for screens that meet VESA hole pattern 100x100 to 400x400mm. It is possible to lock the wall mount using the included anti-theft screw or a padlock (not included).

The WL35S-850BL14 features a nifty magnetic pull & release system, that allows you to attach the TV in a wink of an eye and secure the TV in safe and solid manner. Afterwards, the pull & release straps can be easily hidden behind the screen by clicking the magnet to the mount. A separate spirit level tool is included with the wall mount, as well as a fixing template, to ensure easy installation of the mount.



Neomounts



Neomounts

Mounting		Technical details	
Minimum screen size	81.3 cm (32")	Lockable	Security screw included
Maximum weight capacity *	50 kg	<b>Weight &amp; dimensions</b>	
Maximum screen size *	190.5 cm (75")	Width	484 mm
Minimum VESA mount *	100 x 100 mm	Depth	35 mm
Maximum VESA mount *	400 x 400 mm	Height	425 mm
Panel mounting interface	100 x 100, 100 x 150, 100 x 200, 120 x 120, 200 x 100, 200 x 200 x 300, 200 x 400, 300 x 100, 300 x 200, 300 x 300, 350 x 350, 400 x 200, 400 x 300, 400 x 400	<b>Packaging data</b>	
Number of displays supported	1	Package width	704 mm
Mounting type *	Wall	Package depth	158 mm
<b>Ergonomics</b>		Package height	74 mm
Height adjustment	✓	<b>Logistics data</b>	
Height adjustment range	0 - 20 mm	Master (outer) case width	724 mm
Tilt adjustment	✓	Master (outer) case length	240 mm
Tilt angle range	0 - 12°	Master (outer) case height	343 mm
Distance to the wall (max)	3.5 cm	Master (outer) case gross weight	22.9 kg
<b>Design</b>		Master (outer) case net weight	18.5 kg
Product colour *	Black	Products per master (outer) case	6 pc(s)
Housing material	Steel	Harmonized System (HS) code	7326909890
<b>Technical details</b>		Products per pallet (EU)	120 pc(s)
Country of origin	China		
Package net weight	3.7 kg		
Quantity per pack	1 pc(s)		



8717371448820

Disclaimer. The information published here (the "Information") is based on sources that can be considered reliable, typically the manufacturer, but this Information is provided "AS IS" and without guarantee of correctness or completeness. The Information is only indicative and can be changed at any time without notification. No rights can be based on the Information. Suppliers or aggregators of this Information do not accept any liability with regard to the content of (web)pages and other documents, including its Information. The publisher of the Information can not be held liable for the content of 3rd party websites that are linking this Information or are linked to from this Information. You as the User of the Information are solely responsible for the choice and usage of this Information. You are not entitled to transfer, copy or otherwise multiply or distribute the Information. You are obliged to follow the directions of the copyright owner(s) with regard to the use of the Information. Exclusively Dutch law is applicable. With regard to price and stock data on the site, the publisher followed a number of starting points, which are not necessarily relevant for your private or business circumstances. Therefore, the price and stock data are only indicative and are subject to changes. You are personally responsible for the way you use and apply this information. As a user of the Information or sites or documents in which this Information is included, you will adhere to standard fair use including avoidance of spamming, ripping, intellectual-property violations, privacy violations, and any other illegal activity.

Publication date: 04-NOV-2024. Prints or copies of Information are only valid on the printed Publication date