



## DX3301-T0/DX3300-T0/ EX3301-T0/EX3300-T0 Series

Dual-Band Wireless AX1800 VDSL2/Ethernet Gateway

The Zyxel DX3301-T0/DX3300-T0/EX3301-T0/EX3300-T0 Series provides high-speed internet access with QoS support to meet the worldwide market demand for triple-play services. With the built-in 2x2 802.11ax WLAN function and Zyxel MPro Mesh™ Solutions, the Series provides seamless WiFi experience and superior, feature-rich WiFi connectivity for service providers to deliver high-performance internet access services.

### Benefits

#### WiFi 6 technology for superior lag-free performance

Supporting the latest WiFi 6 (11ax) standard, the Series offers speeds of up to 1200 Mbps\* with 2x2 802.11ax and 574 Mbps\* with 2x2 802.11n. The uplink MU-MIMO, Orthogonal Frequency Division Multiple Access (OFDMA) and beamforming technologies empower the Series to deliver high speed internet for multi-streaming data access and optimal WiFi experience without dead zones.

\* The maximum wireless data transfer rate is derived from IEEE standard 802.11 specifications. Actual data transfer rate will vary from network environment including: distance, network traffic, building site materials/construction, interference from other wireless devices, and other adverse conditions.

#### Zyxel OPAL firmware achieves superior flexibility and faster time-to-market

Compliant with the same OPAL firmware trunk applied in all Zyxel CPEs, the Series inherits a rich, field-proven feature set for guaranteed unchanged user experience even after migrating to the new devices.

Datasheet [DX3301-T0/DX3300-T0/  
EX3301-T0/EX3300-T0 Series](#)



WiFi 6 (11ax) for superior performance and coverage



Zyxel MPro Mesh™ Solutions (compliant with EasyMesh standards)



Remote management via TR-069 and TR-181 I2



NAT, firewall with SPI and DoS for better security



VoIP SIP protocol with 3-way conference calls



Multiple SSIDs for various service deployment scenarios



Zyxel-developed OPAL for superior flexibility and faster time-to-market



Ecofriendly compact design



## Premium MPro Mesh™ for whole-home coverage\*\*

Featuring EasyMesh fully compliant Zyxel MPro Mesh™ Solutions, the Series enhances your subscribers' experience by providing self-adapting, easy-to-manage whole-home WiFi coverage, while reducing your service OPEX.

\*\* Combining DX3301-T0, DX3300-T0, EX3301-T0 and EX3300-T0 with the WX3100 Wireless Extender is advised for the ideal mesh network performance.

## Quality of Service (QoS) support

With QoS features, service providers can freely design their QoS policies and prioritize mission-critical services such as IPTV and VoIP based on their service plan offerings. This improves network efficiency and productivity that enable service providers to offer a real multi-play solution to meet the residential user needs.

## TR-069/TR-181 issue-2 remote management for lower OPEX

Compliant with TR-069, the Series significantly simplifies deployment complexity and lowers operating and maintenance costs. The additional support to the latest TR-181 issue-2 data model also enhances service providers' visibility on subscriber LAN networks to offer improved customer assistance.

## Ecofriendly compact design

Zyxel commits to a sustainable future and to improving the environmental well-being of the community. The Zyxel DX3301-T0/DX3300-T0/EX3301-T0/EX3300-T0 Series adopts foldable stands with an ultra-thin exterior case to shrink each package volume, which improves pallet utilization by approximately 46% for lower carbon emissions.

## DX3301-T0/DX3300-T0/EX3301-T0/EX3300-T0

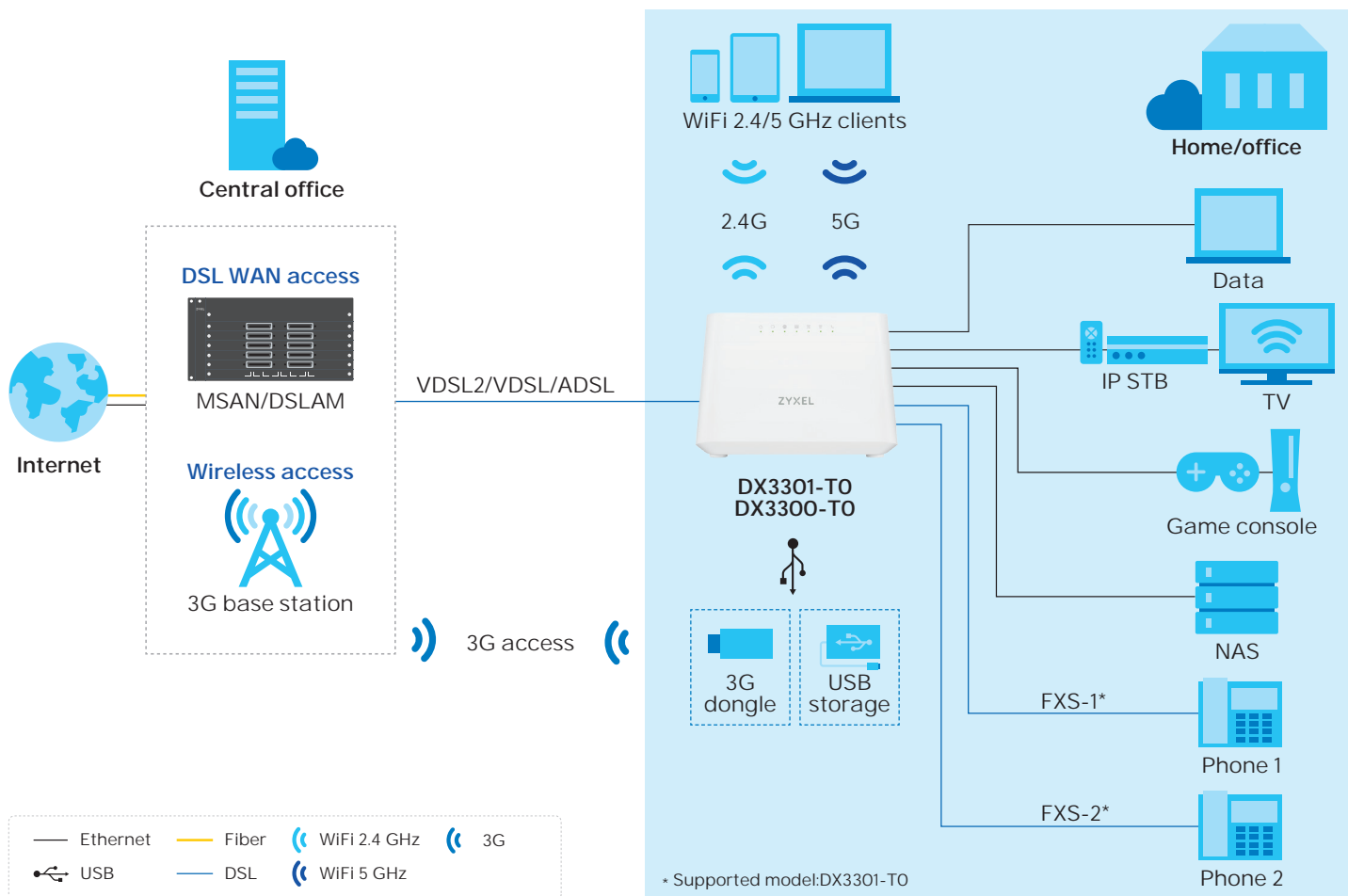
Model	DX3301-T0	DX3300-T0	EX3301-T0	EX3300-T0
<b>Product name</b>	Dual-Band Wireless AX1800 VDSL2 Gigabit IAD	Dual-Band Wireless AX1800 VDSL2 Gigabit Gateway	Dual-Band Wireless AX1800 Gigabit Ethernet IAD	Dual-Band Wireless AX1800 Gigabit Ethernet Gateway
<b>Hardware</b>				
<b>WAN interface</b>	DSL RJ-11/RJ45/GbE	DSL RJ-11/RJ-45/GbE	RJ45/GbE	RJ45/GbE
<b>Ethernet port (10/100/1000)</b>	5 (1 for Ethernet WAN)	5 (1 for Ethernet WAN)	5 (1 for Ethernet WAN)	5 (1 for Ethernet WAN)
<b>POTS FXS port</b>	2	-	2	-
<b>USB port</b>	1 (USB 2.0)	1 (USB 2.0)	1 (USB 2.0)	1 (USB 2.0)
<b>VDSL</b>	<ul style="list-style-type: none"><li>• G.993.1 VDSL</li><li>• G.993.2 VDSL2, Band 997, 998, Over POTS</li><li>• VDSL profiles: 8a/b/c/d, 12a/b, 17a, and 35b</li><li>• G.vector</li></ul>		-	-
<b>ADSL</b>	<ul style="list-style-type: none"><li>• G.992.1 (G.dmt)</li><li>• G.992.2 (G.lite)</li><li>• ANSI T1.413 compliant</li><li>• G.992.3 (ADSL2)</li><li>• G.992.5 (ADSL2+)</li><li>• Supports G.INP</li></ul>		-	-
<b>Router features</b>	<ul style="list-style-type: none"><li>• IPv4/IPv6</li><li>• NAT</li><li>• Port forwarding</li><li>• WAN connection types: DHCP, PPPoE</li><li>• DHCP option 60/121/125</li><li>• DHCP server on LAN</li><li>• IGMP v1/v2</li><li>• IGMP proxy</li><li>• Dynamic DNS</li></ul>			

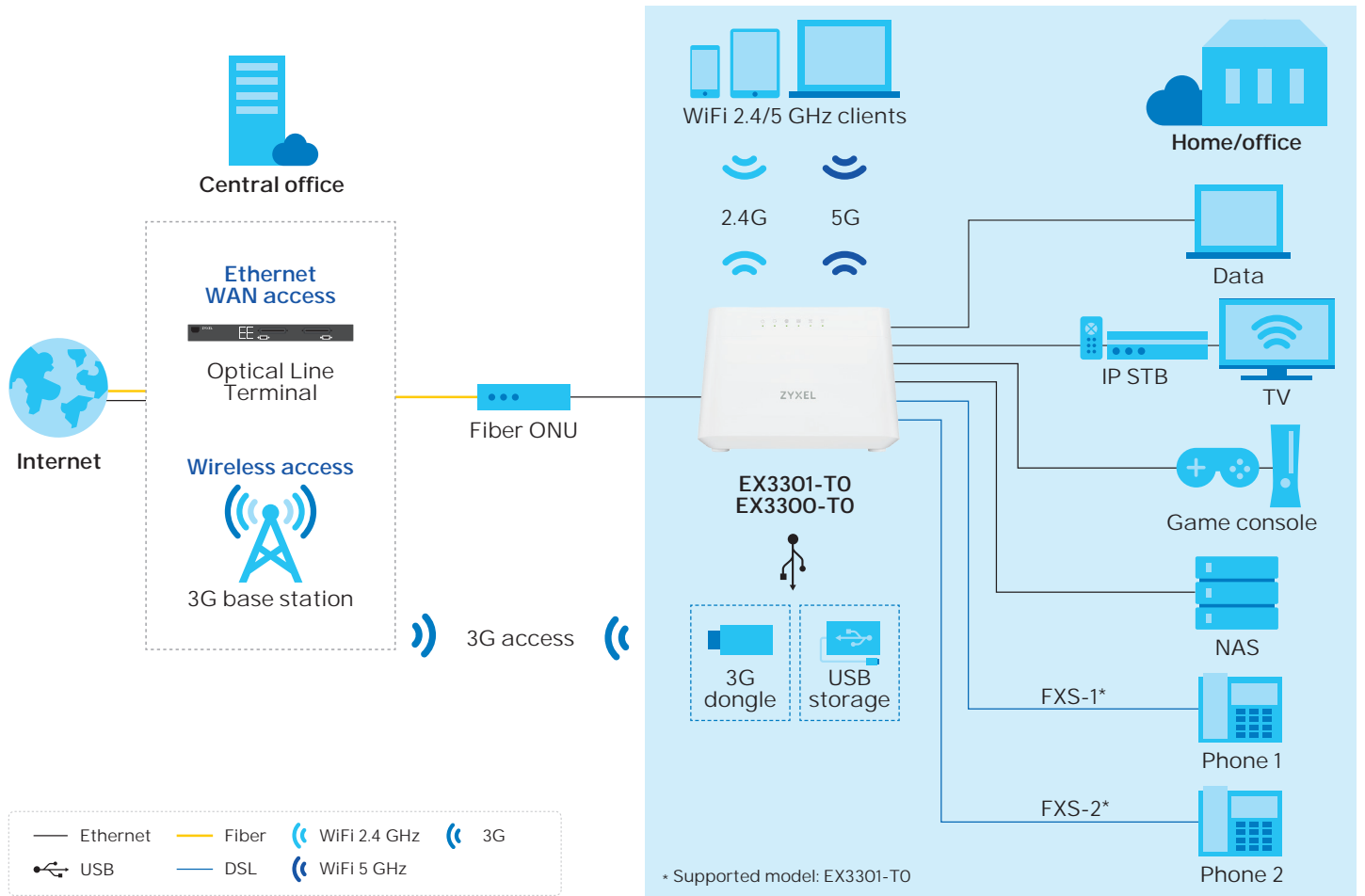
<b>Wireless</b>	<ul style="list-style-type: none"> <li>• Auto channel selection</li> <li>• Wi-Fi Multimedia (WMM)</li> <li>• Wireless scheduling</li> <li>• Wireless output power management</li> <li>• Multiple SSID up to 4</li> <li>• Wi-Fi Protected Setup (WPS)</li> <li>• Intra-BSS traffic block</li> <li>• MAC address filtering</li> </ul>			
<b>VLAN</b>	<ul style="list-style-type: none"> <li>• 802.1q tag/tag based VLAN</li> <li>• VLAN to ETH port mapping</li> <li>• Bridged/routed VLAN</li> </ul>			
<b>Voice</b>				
<b>SIP v2 (RFC 3261)</b>	Yes	-	Yes	-
<b>SIP account (URL type included)</b>	Yes	-	Yes	-
<b>SDP (RFC 2327)</b>	Yes	-	Yes	-
<b>RTP (RFC 1889)</b>	Yes	-	Yes	-
<b>RTCP (RFC 1890)</b>	Yes	-	Yes	-
<b>G.168 echo cancellation</b>	Yes	-	Yes	-
<b>VAD/CNG</b>	Yes	-	Yes	-
<b>CODEC</b>	G.711 a/u law /G.726/ G.722/G.729	-	G.711 a/u law /G.726/ G.722/G.729	-
<b>DTMF detection</b>	Yes	-	Yes	-
<b>DTMF: In-band and out-of-band</b>	Yes	-	Yes	-
<b>QoS (IP bandwidth management)</b>	Yes	-	Yes	-
<b>ToS</b>	Yes	-	Yes	-
<b>Phonebook</b>	Yes	-	Yes	-
<b>FAX, modem detection and pass-through</b>	Yes	-	Yes	-
<b>T.38 FAX</b>	Yes	-	Yes	-
<b>IVR</b>	Yes	-	Yes	-
<b>Call waiting</b>	Yes	-	Yes	-
<b>Call hold/call retrieve</b>	Yes	-	Yes	-
<b>Call transferring</b>	Yes	-	Yes	-
<b>Call forwarding</b>	Yes	-	Yes	-
<b>Caller ID</b>	Yes	-	Yes	-
<b>Do not disturb</b>	Yes	-	Yes	-
<b>Three way conference</b>	Yes	-	Yes	-
<b>Flexible dial plan</b>	Yes	-	Yes	-
<b>Dynamic jitter buffer</b>	Yes	-	Yes	-
<b>On hook, off hook and flash detection</b>	Yes	-	Yes	-
<b>DSL compliance</b>				
<b>Standards/profile</b>	VDSL2 Vectoring (up to 35b)/ADSL2+	VDSL2 Vectoring (up to 35b)/ADSL2+	-	-
<b>Wireless</b>				
<b>WLAN</b>	2.4 GHz 2x2 ax + 5 GHz 2x2 ax	2.4 GHz 2x2 ax + 5 GHz 2x2 ax	2.4 GHz 2x2 ax + 5 GHz 2x2 ax	2.4 GHz 2x2 ax + 5 GHz 2x2 ax
<b>MPro Mesh™</b>				
<b>Compatibility</b>	WX3100	WX3100	WX3100	WX3100

Firewall				
Stateful packet inspection	Yes	Yes	Yes	Yes
Denial of service	Yes	Yes	Yes	Yes
ICMP blocking	Yes	Yes	Yes	Yes
VPN				
IPSec (Pass thru)	Yes	Yes	Yes	Yes
Network				
TCP/IP	Yes	Yes	Yes	Yes
PPPoE	Yes	Yes	Yes	Yes
DHCP client/server/relay	Yes	Yes	Yes	Yes
PPPoA	Yes	Yes	Yes	Yes
DHCP server	Yes	Yes	Yes	Yes
UPnP	Yes	Yes	Yes	Yes
IP policy routing	Yes	Yes	Yes	Yes
Multi-to-multi NAT	Yes	Yes	Yes	Yes
Dynamic DNS (DDNS)	Yes	Yes	Yes	Yes
IGMP	Yes	Yes	Yes	Yes
Management				
Web configurator	Yes	Yes	Yes	Yes
TR-069/TR-181 i2	Yes	Yes	Yes	Yes
Remote firmware upgrade	Yes	Yes	Yes	Yes
SNMP	Yes	Yes	Yes	Yes
Button	<ul style="list-style-type: none"> <li>• Power on/off</li> <li>• Wireless on/off</li> <li>• WPS</li> <li>• Reset</li> </ul>			
Status LEDs indicators	<ul style="list-style-type: none"> <li>• Power</li> <li>• WAN</li> <li>• Internet</li> <li>• LAN</li> <li>• 2.4 GHz</li> <li>• 5 GHz</li> <li>• WPS</li> <li>• Phone (DX3301-T0 and EX3301-T0)</li> </ul>			
Power consumption	12V DC, 2A			
Package contents	<ul style="list-style-type: none"> <li>• Wireless gateway/IAD</li> <li>• Power adapter</li> <li>• Ethernet cable</li> <li>• Phone cable</li> <li>• Quick Start Guide</li> </ul>			
Physical specifications				
Dimension (WxDxH)(mm/in.)	220 x 35 x 153/8.66 x 1.38 x 6.02			
Weight (g/lb.)	387/0.85	383/0.84	377/0.83	373/0.82
Environment specifications				
Operating environment	<ul style="list-style-type: none"> <li>• Temperature: 0°C to 40°C (32°F to 104°F)</li> <li>• Humidity: 10% to 90% (Non-condensing)</li> </ul>			
Storage environment	<ul style="list-style-type: none"> <li>• Temperature: -30°C to 70°C (-22°F to 158°F)</li> <li>• Humidity: 10% to 95% (Non-condensing)</li> </ul>			

# Applications diagram

## DX3301-T0/DX3300-T0





# Hardware interface

## Front panel

DX3301-T0/DX3300-T0

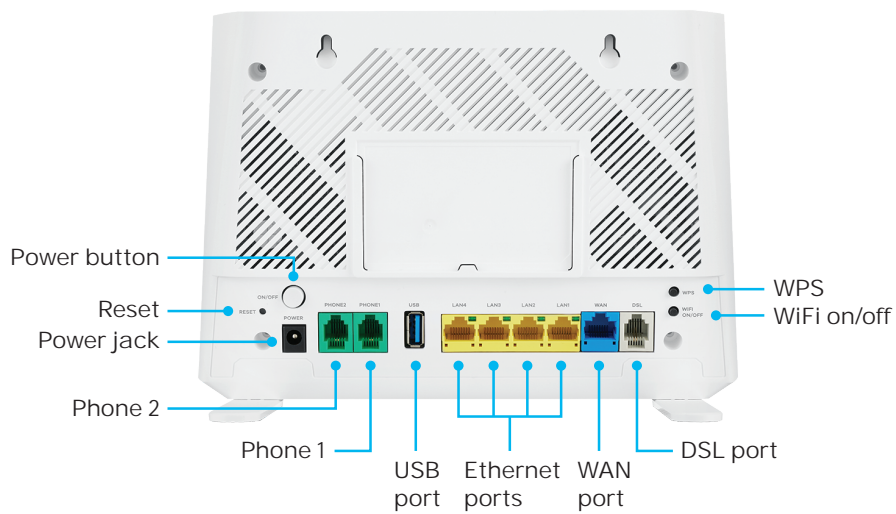


EX3301-T0/EX3300-T0

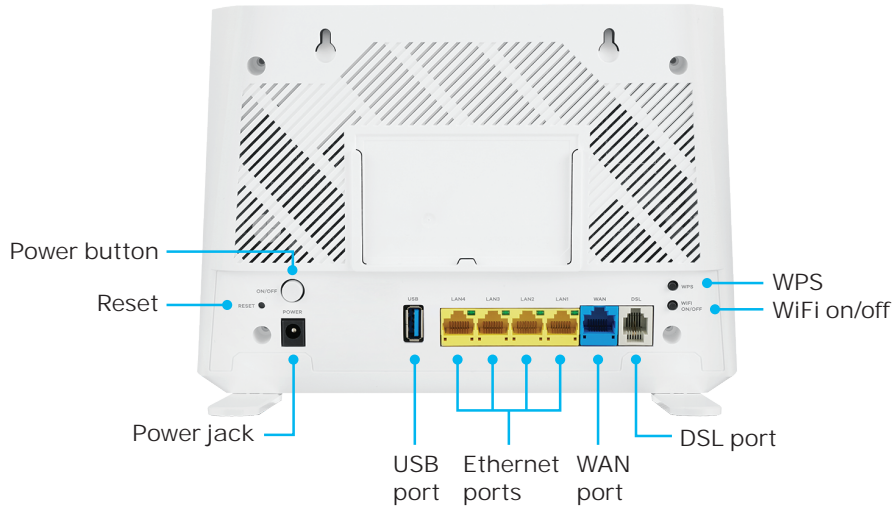


## Rear panel

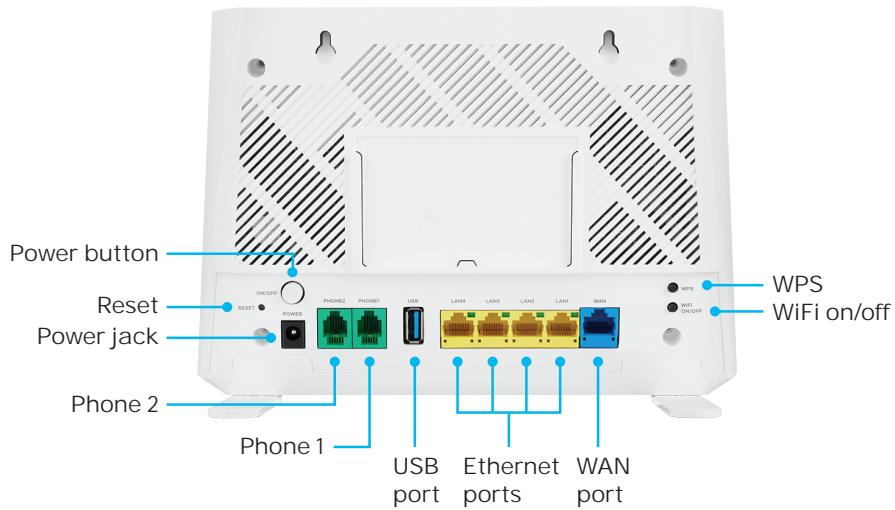
DX3301-T0



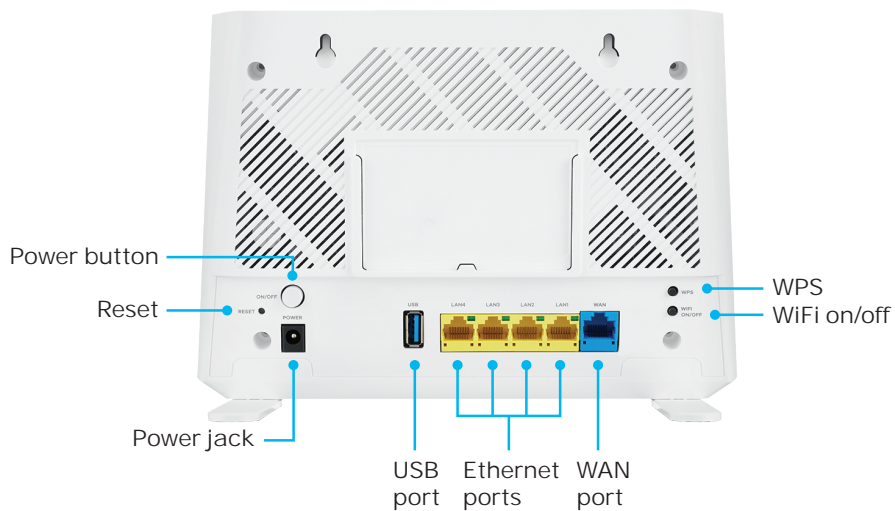
Rear panel  
DX3300-T0



EX3301-T0



EX3300-T0



For more product information, visit us on the web at [www.zyxel.com](http://www.zyxel.com)

Copyright © 2021 Zyxel and/or its affiliates. All rights reserved. All specifications are subject to change without notice.



22/01/21