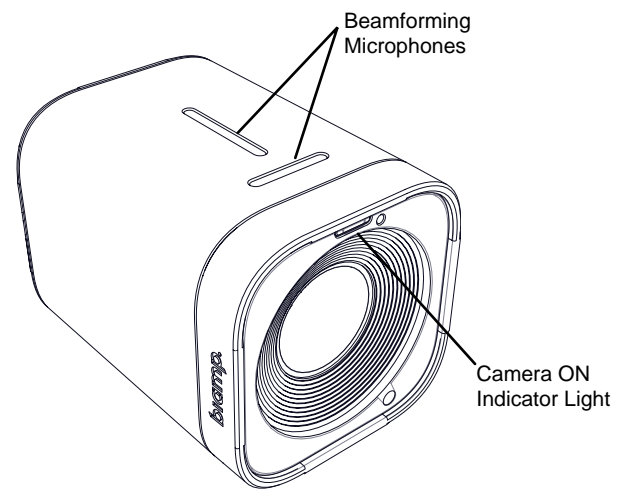
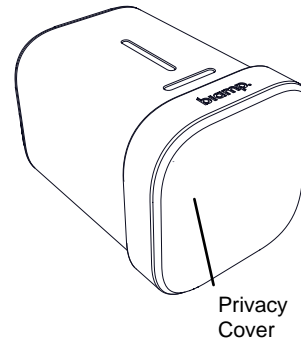


Vidi 250

Installation & Operation Guide



PRODUCT DETAILS

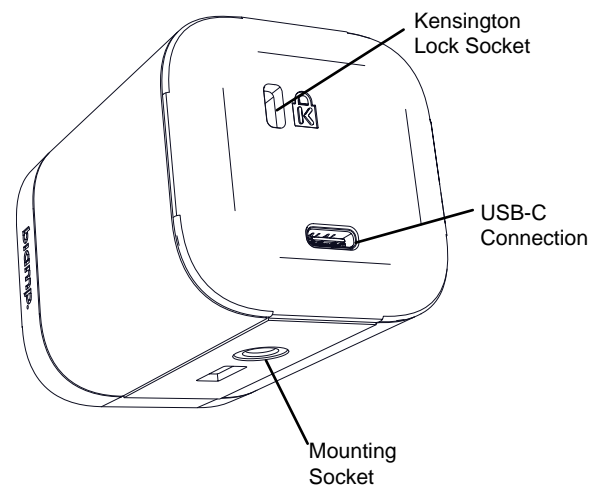


PRODUCT DESCRIPTION

The Vidi 250 is a wide angle 4K camera designed for use with video conferencing systems. Intended for use in Huddle, small or medium conferencing rooms, the Vidi 250 has a 120° field of view, allowing everyone in the room to be seen. The Vidi 250 uses auto framing technology to adjust the focus and zoom to keep participants in view. The Vidi 250 can be either display mounted or wall mounted.

FEATURES

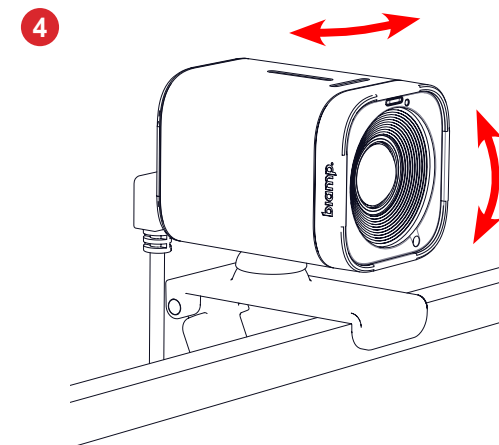
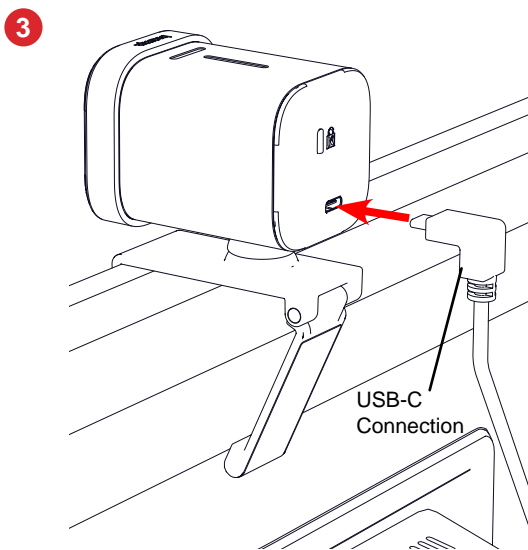
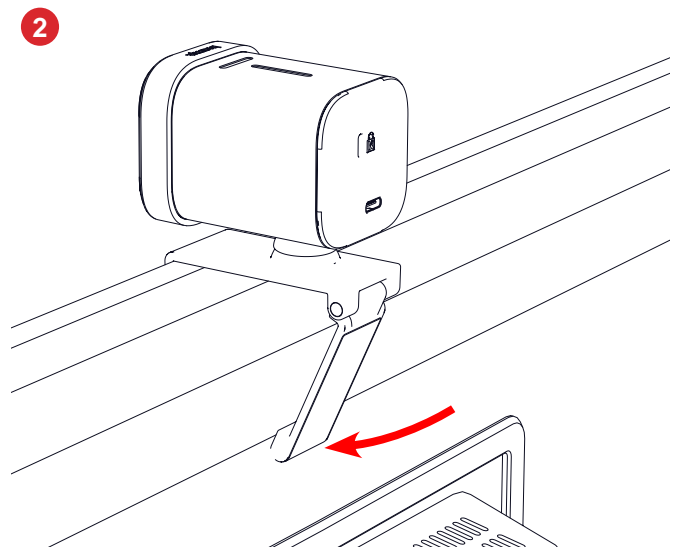
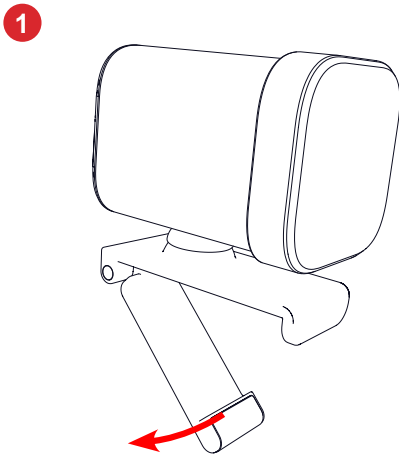
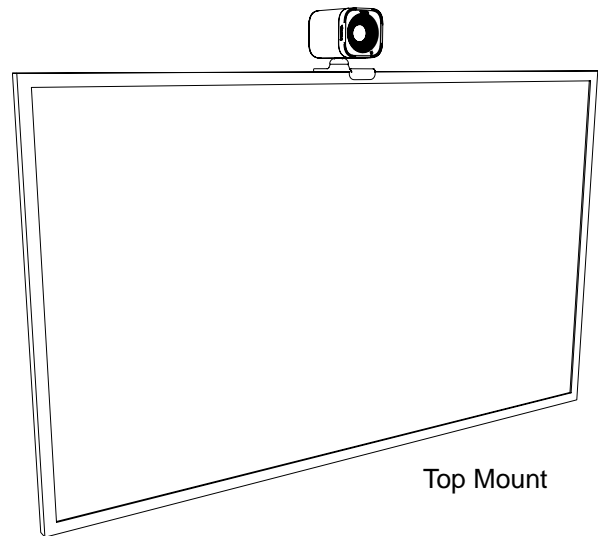
- LED indications for camera activity
- 4K, wide angle 120° field of view
- Pan/Tilt/Zoom with 5x digital zoom
- Auto framing technology keeps participants in frame
- Multi-microphone array
- Privacy cover
- Above and below display mounts included
- Display side and wall mount options
- Optional camera control software for manual control



CAMERA INSTALLATION

Top Mount: *(attached to the camera)*

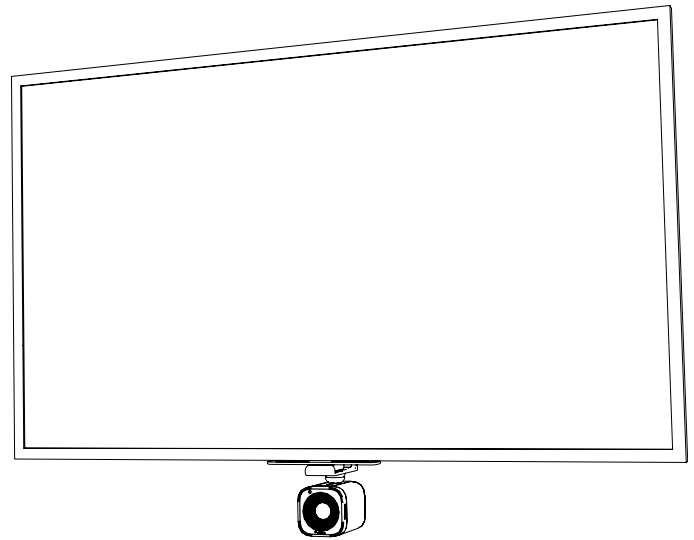
1. Pull the lower arm of the mount down.
2. Position the mount onto the top of the display and push the lower arm against the back of the device to secure.
3. Plug the USB cord into the back of the camera.
4. Remove the privacy cover and aim the camera.
5. Optional - Install Biamp Cameral Control App for manual control.



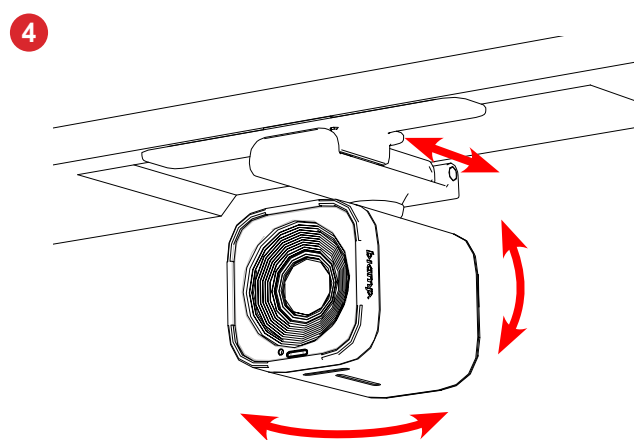
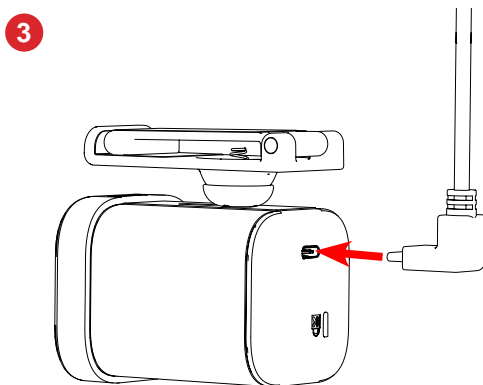
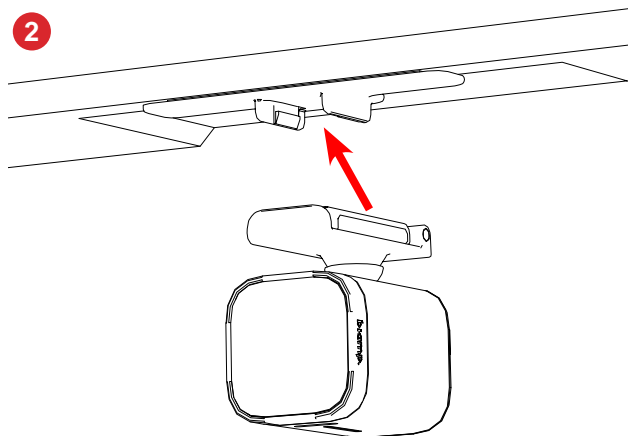
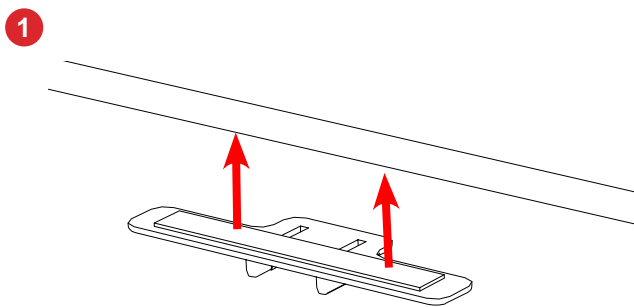
Under-Display Plate: (included)

You must download the Biamp Cameral Control App to control the image orientation when mounting the camera under the display.

1. Adhere the adhesive plate to the underside of the TV or monitor. To ensure proper adhesion, properly clean the mounting surface and apply pressure to the mount for 30 seconds. If possible, wait 24 hours before mounting the camera to ensure maximum bond.
2. Turn the camera and mount upside down and push the top mount into the under-display plate clips as shown. The camera/mount will be able to move forward and backward slightly.
3. Plug the USB cord into the back of the camera.
4. Remove the privacy cover and aim the camera.
5. In the Biamp Cameral Control App you must choose the "Flip" option to change the view orientation during setup.

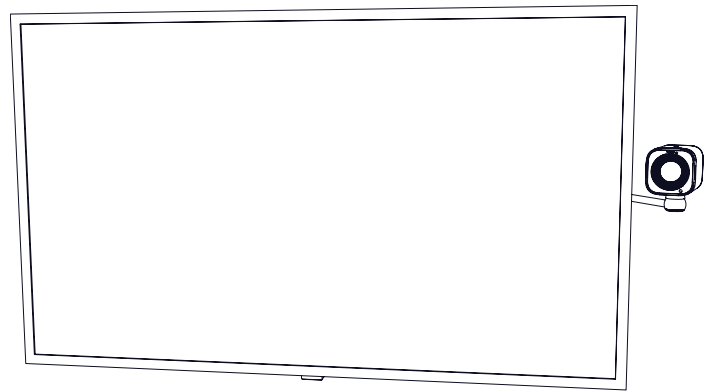


Under-Display Mount

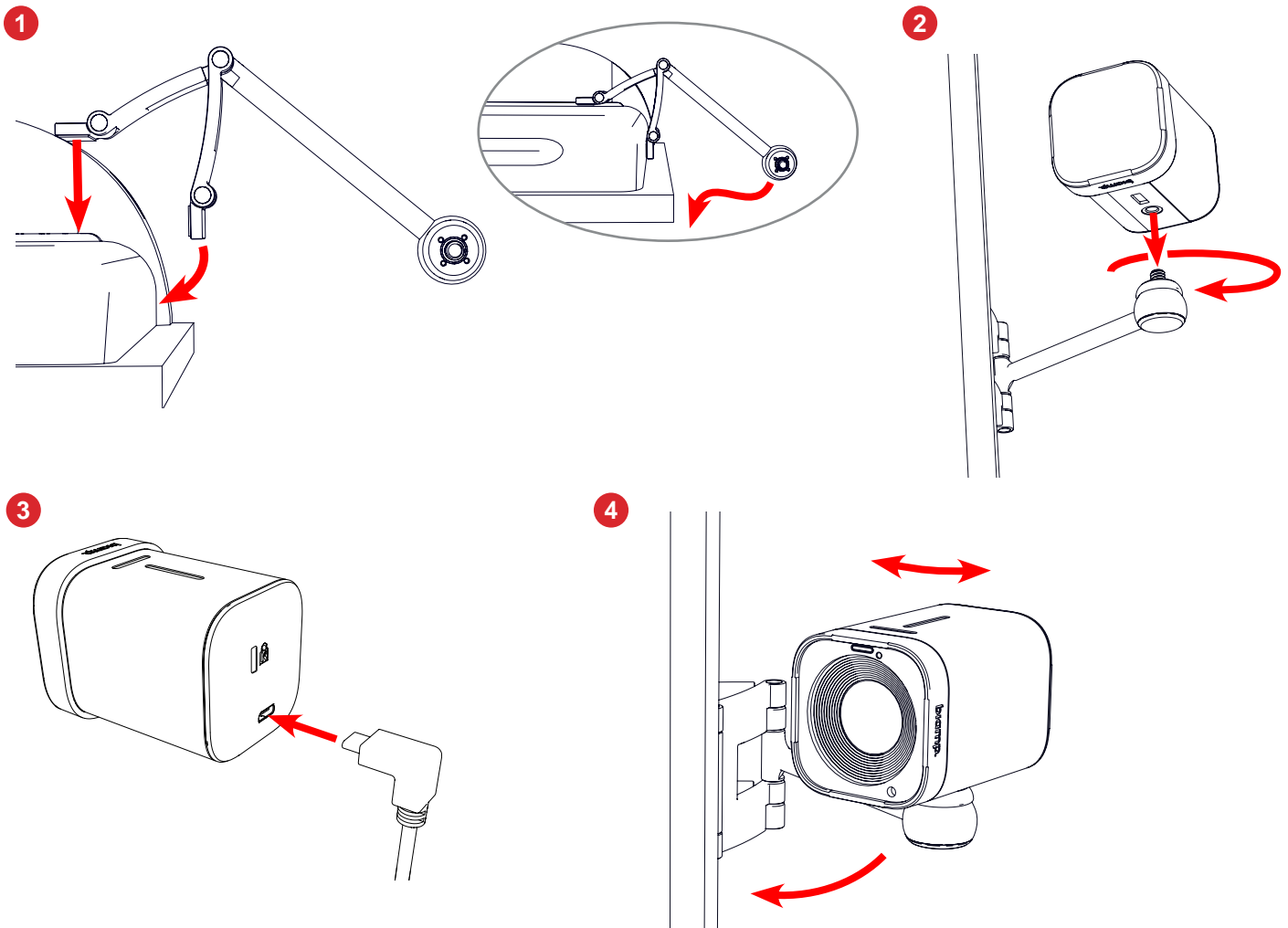


Side Mount Accessory (VMA 200-DM) typical installation:

1. Open the side clamps and position on the back or side of a TV or monitor, so the arm can position the camera beside the display. To ensure proper adhesion, properly clean and dry the mounting surface. Uncover the adhesive strips and attach mount to the display. Apply pressure to the mounts for 30 seconds. If possible, wait 24 hours before attaching the camera to ensure maximum bond.
2. Remove the camera from the top mount and screw it onto the side mount until tight. Keep the privacy cover on. Do not push down on the arm while screwing the camera on the mount.
3. Plug the USB cord into the back of the camera.
4. Remove the privacy cover and carefully move/rotate the arm and camera to point to the desired location.
5. Optional - Install Biamp Cameral Control App for manual control.



Side Mount

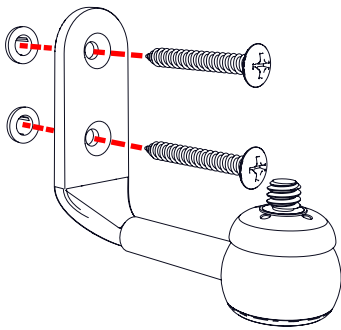


Wall Mount Accessory (VMA 200-WM) installation:

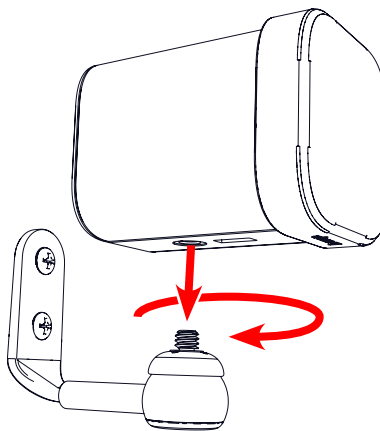
Position the wall mount on a vertical surface (wall or furniture) close to the TV or monitor and mark the hole locations. Prepare the surface or pre-drill the holes as necessary.

1. Attach the mount to the surface (*shown with screw / anchors*).
2. Remove the camera from the top mount and screw the camera onto the wall mount until tight.
3. Plug the USB cord into the back of the camera.
4. Remove the privacy cover and carefully move the camera to point to the desired location.

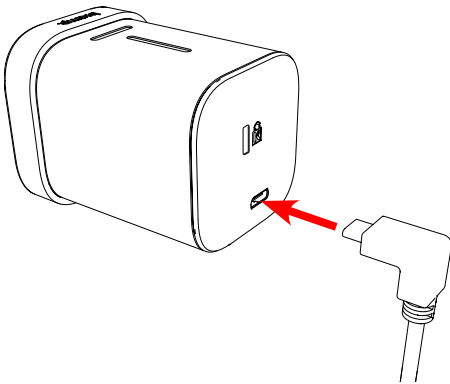
1



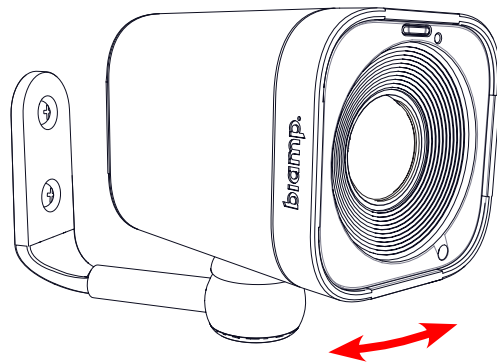
2



3



4

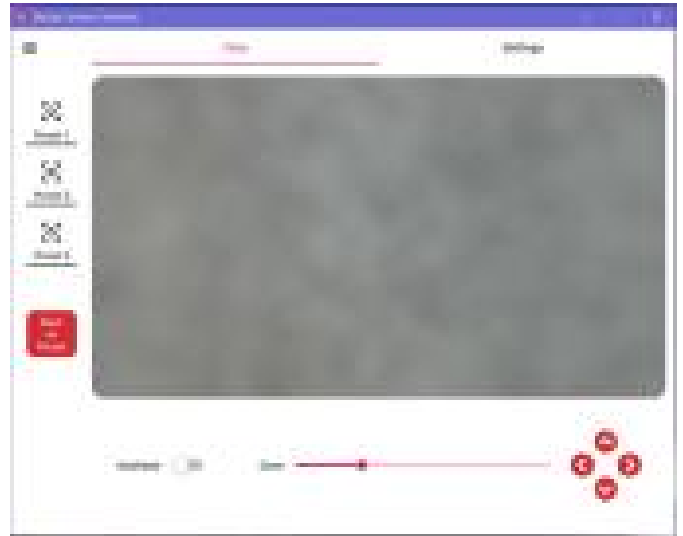


Biamp Camera Controller software (App)

The Biamp Camera Controller provides manual control of Biamp conferencing cameras. This software, available on both PC and Mac, is available [here](#). This software will detect a connected camera and provide a preview window with additional controls on two tabs. Information about the software and settings is available in the help file: cameracontroller-help.biamp.com.

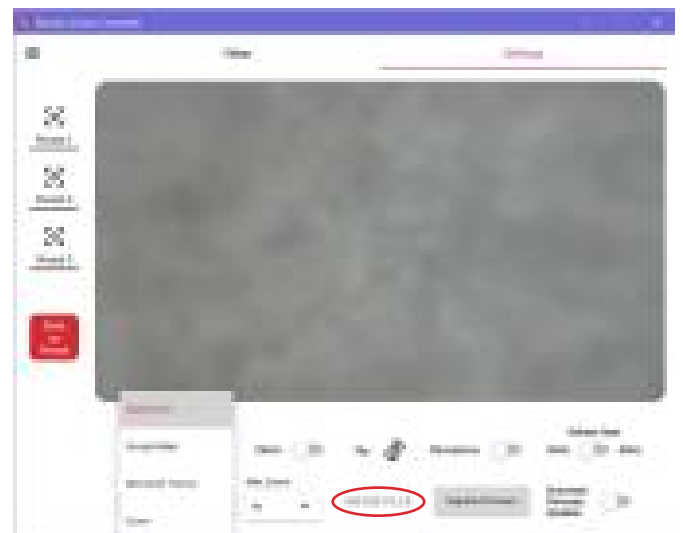
Video

- Preset saving and recall (x3)
- Manual zoom and panning (ePTZ)
- Enable autoframing



Settings

- Backlight compensation
- Image mirroring
- Image flip for under-display mounting
- Enable the microphone
- Set refresh rate (50 or 60 Hz)
- Profile (options shown below)
- Maximum zoom
- Upgrade the firmware. Firmware is available [here](#). You must download the firmware file from the biamp website before installing the new version. The current firmware version is shown (circled) for reference.
Note: Upgrades aren't necessary if the camera is performing well, but are necessary to take advantage of all the setting options (profiles, auto update, etc.)
- Enable automatic updates (via Microsoft® Windows® - Windows PCs only). It is on by default when using the Microsoft Teams® profile, but can be chosen when using the other profiles.

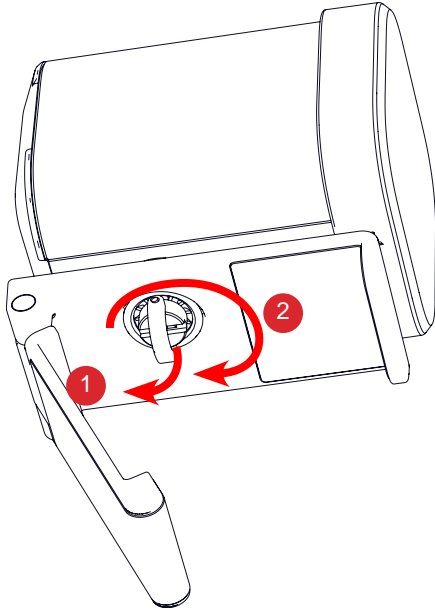


IMPORTANT: Do not unplug the camera during a firmware update!

Maintenance

- Clean the camera lens with a soft non-abrasive cloth
- The mounting ball can be tightened if necessary (top mount only)

Top mount



1. Remove mount from video display, and pull ring down.
2. Rotate to tighten the ball and place camera back on the display.



CONTACT US

Email: support@biamp.com

Web: support.biamp.com

Warranty: biamp.com/legal/warranty-information

Safety & Compliance: biamp.com/compliance

Microsoft, Microsoft Teams, and Windows are trademarks of the Microsoft group of companies.

Zoom is a trademark of Zoom Video Communications, Inc., registered in the U.S. and other countries.

Google Meet™ and Hangouts are trademarks of Google LLC.



A: 9300 S.W. Gemini Drive Beaverton, OR 97008 USA

W: www.biamp.com

12SEP2023