



Exclusively Available
 from
midwich
 midwldc.com

XRTROLLEYXL

FLAT SCREEN FLOOR STAND/TROLLEY FOR SCREENS UP TO 86"

MOBILE OR
 FREESTANDING



Designed large and extra large screens, the XRTROLLEYXL supports weights up to 100kg. 3" braked castors and adjustable height feet are both included for either fixed or mobile solutions. The universal interface accommodates mounting patterns up to 800 x 600mm and comes with adjustment screws which allow the screen to be levelled once mounted.

SPECIFICATION

Recommended screen size	50" up to 86"
Max load	100kg
VESA compatibility	200 x 100mm up to 800 x 600
Dimensions	H: 2172 x W: 1160 x D: 792mm
Colour	Black / Silver

FEATURES

- Adjustable height feet and 3" braked castors are included
- Levelling screws allow adjustment of screen height
- Padlock tabs on arms for additional security (padlock not included)
- Integrated cable management
- Security locking screws help prevent unauthorised removal of screens
- AV accessory shelf XRTROLLEYSH1 available separately for items up to 475 x 427mm.



Levelling feet and 3" braked castors are included



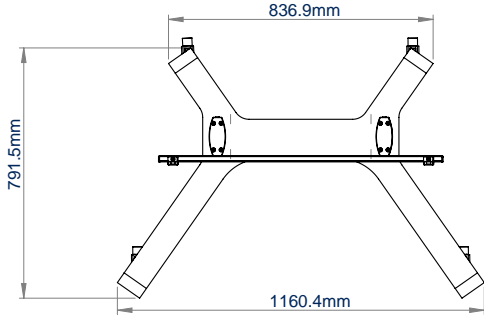
Security locking screws help prevent unauthorised removal of screens



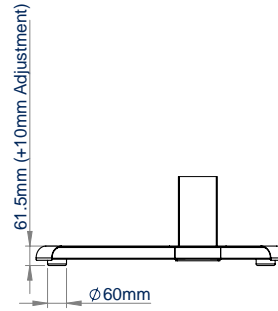
Padlock tabs on arms for additional security (padlock not included)



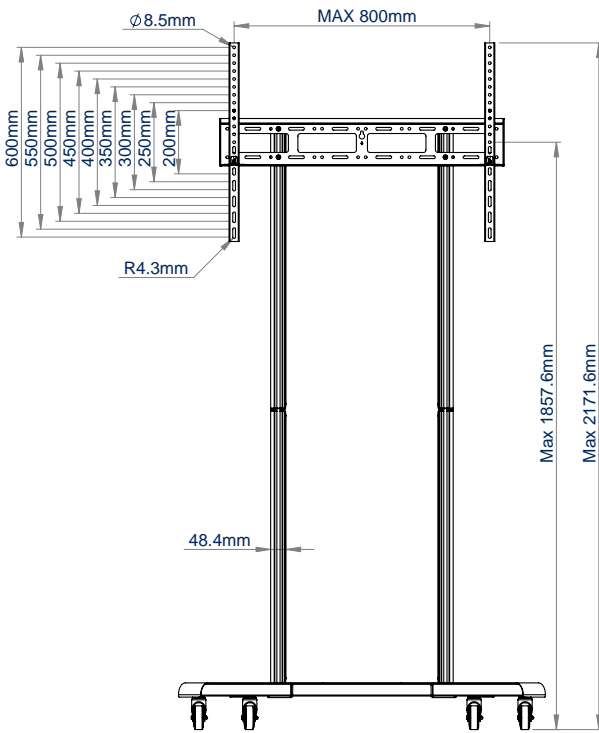
AV accessory shelf XRTROLLEYSH1 available separately for items up to 475 x 427mm.



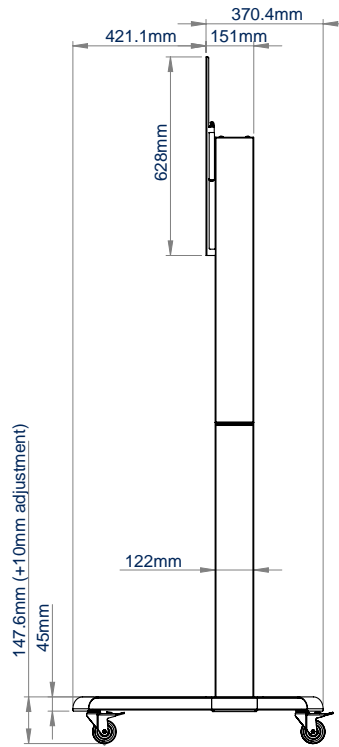
TOP VIEW



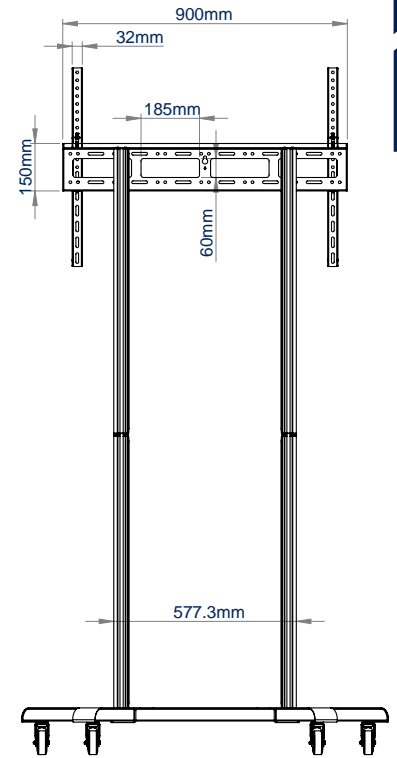
BASE ASSEMBLY WITH FEET



FRONT VIEW



SIDE VIEW



REAR VIEW

PACKING INFORMATION

COLOUR:	ORDER REF:	EAN CODE:	MASTER CARTON QTY:	MASTER CARTON WEIGHT:	MASTER CARTON CUBE:
Black	XRTROLLEYXL/BS	5019318305696	1	29.5kg	0.115cbm

RELATED PRODUCTS



XRTROLLEYXLSH1
Accessory Shelf
 Designed for use with XRTROLLEYXL and suitable for camera with a 1/4" thread and 100 x 100 xing points



XRWALLFXL
Extra Large Fixed Wall Mount
 For 43" up to 86" screens from VESA 200 x 100 up to 800 x 600



XRTROLLEY
Flat Screen Floor Stand / Trolley
 For 32" up to 55" screens with VESA up to 600 x 400



XRTROLLEYSH2
VC Camera Shelf
 Designed for use with XRTROLLEY and suitable for accessories up to 250 x 238mm and up to 5kg

© 2015 B-Tech Mounts. All rights reserved. B-Tech Mounts is a registered trademark of B-Tech Mounts. All other trademarks are the property of their respective owners. B-Tech Mounts is not responsible for any damage caused by misuse or modification of any part of the product. B-Tech Mounts is not responsible for any damage caused by misuse or modification of any part of the product. B-Tech Mounts is not responsible for any damage caused by misuse or modification of any part of the product. B-Tech Mounts is not responsible for any damage caused by misuse or modification of any part of the product.