

XPG GAMMIX S70 BLADE
PCIe Gen4x4 M.2 2280 Solid State Drive

SHARP AS A BLADE

XPG GAMMIX S70 BLADE PCIe Gen4x4 M.2 2280 Solid State Drive

Enjoy next-gen performance with the XPG GAMMIX S70 BLADE PCIe Gen4x4 M.2 2280 solid state drive (SSD). Sporting the latest PCIe Gen4x4 interface and a host of other capabilities, this SSD is capable of reaching blazing-fast read/write speeds of up to 7,400/6,800MB per second.

Features

- R/W speed up to 7,400/6,800MB/s for PC/laptop
- Ultra-fast PCIe Gen4x4 interface
- Compliant with NVMe 1.4
- Work with PS5
- Read speed up to 6,100MB/s for PS5
- High-temperature resistant aluminum heat sink which is able to reduce temperatures by up to 20%
- Capacity up to 2TB
- SLC Caching and DRAM cache buffer
- Advanced LDPC ECC Technology
- E2E Data Protection and RAID Engine
- AES 256-bit encryption support
- Compact M.2 2280 form factor – ideal for gaming and high-end desktops

Ordering Information

Capacity	Model Number	EAC Code
512GB	AGAMMIXS70B-512G-CS	4711085936219
1TB	AGAMMIXS70B-1T-CS	4711085933065
2TB	AGAMMIXS70B-2T-CS	4711085933072





Specifications

- Capacities: 512GB / 1TB / 2TB
- NAND Flash: 3D NAND
- Interface: PCIe Gen4x4
- Form Factor: M.2 2280
- Controller: IG5236A1
- Sequential read/write (Max.):
Up to 7,400/6,800MB/s (PC/laptop)
Read speed up to 6,100MB/s (PS5)
- 4K random read/write IOPS (Max.): 750K/750K
- Operating Temperature: 0°C~70°C
- Storage Temperature: -40°C~85°C
- Shock Resistance: 1500G/0.5ms
- Weight:
10g / 0.35oz (with heat sink)
7g / 0.24oz (without heat sink)
- Dimensions (L x W x T):
80 x 22 x 4.3mm (with heatsink)
80 x 22 x 3.3mm (without heatsink)
- Terabytes Written (TBW)(Max. capacity): 1480TB
- MTBF: 2,000,000 hours
- Warranty: 5-year limited
- Certifications: CE, FCC, BSMI, KC, Morocco, EAC, RCM, UKCA, RoHS

Performance

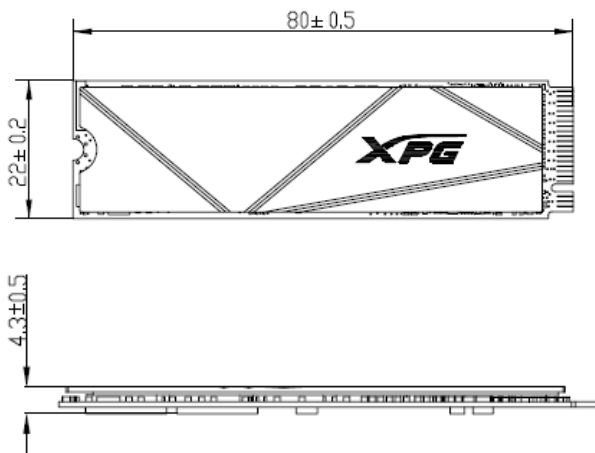
Capacity	ATTO	ATTO	CDM	CDM	AS SSD	AS SSD	4K	4K	PS5	TBW
	Seq. Read (MB/sec)	Seq. Write (MB/sec)	(QD32-T1) Seq. Read (MB/sec)	(QD32-T1) Seq. Write (MB/sec)	Seq. Read (MB/sec)	Seq. Write (MB/sec)	Random Read IOPS	Random Write IOPS	Seq. Read (MB/sec)	
512GB	7400	2600	7200	2600	5700	2400	425K	510K	6100	370TB
1TB	7400	5500	7400	5500	5600	5000	740K	740K	6100	740TB
2TB	7400	6700	7400	6800	5700	5500	750K	750K	6100	1480TB

*M/B: MSI X570 GAMING PLUS, CPU: AMD Ryzen 7 3700X 8-Core Processor @ 3.60GHZ

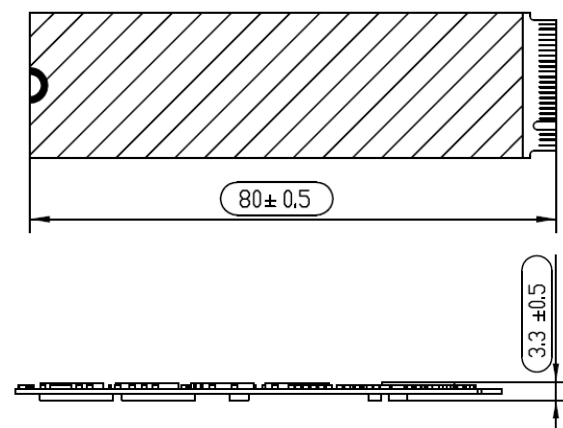
*Performance may vary based on SSD capacity, hardware test platform, test software, operating system and other system variables

Schematics

<With heatsink>



<Without heatsink>



ADATA Technology Co., Ltd
2F, No.258 Liancheng Rd.,
Zhonghe Dist., New Taipei City 235, Taiwan
T :+886-2-8228-0886
F :+886-2-8228-0887
E :adata@adata.com

