

PROXIMITY

COMPONENT STORAGE SLIDE-LOCK PANEL



CSSLP15X10

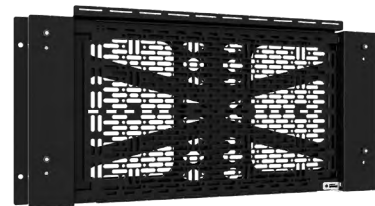
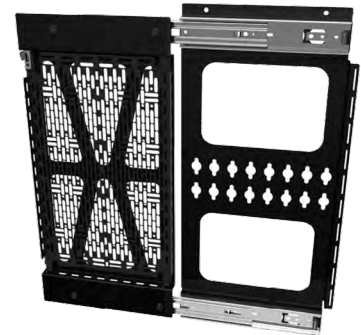
The Proximity[®] Component Storage Slide-Lock Panel facilitates easy, concealed mounting of AV equipment behind displays. To simplify service and accessibility to the equipment simply slide the storage panel out. Install on wall or attach to Fusion[®] mounts* left, right, or below the display. The built-in and tool-free 15" x 10" Lever Lock[™] plate is easily removed and replaced from the slide-lock panel to service the equipment post installation without touching the display. With 15 lbs. (6.8 kg) weight capacity, this storage panel will hold most popular small devices for AV installations.

The innovative slides on the CSSLP15X10 secure the storage panel and stop it from falling out or down with a push-to-open and push-to-close mechanism. This gives designers, consultants, and installers the flexibility to decide where to best position the storage panel behind the display.

The patented universal small device mounting pattern of the Lever Lock plate offers the versatility to mount devices with cable ties, hook and loop fasteners or nuts and bolts. Use **Forward accessories** to speed up cable management and small device mounting.

FEATURES

- CSSLP15X10 supports a range of small devices and components on a 9.85" x 15.86" (250mm x 403 mm) mounting plate footprint.
- Facilitate on site integration and service with a removable Lever Lock[™] plate
 - Compatible with Middle Atlantic Forward[®] small device mounting clips and cable management
 - Plastic removable rivet included to secure the Lever Lock[™] plate to the Slide-Lock Panel
- Simple push-to-open operation to extend and retract Slide-Lock Panel behind displays
- Ultimate storage flexibility!
 - Mounting options in portrait or landscape
 - Install left, right or below display
 - Attach to wall or Fusion mounts*



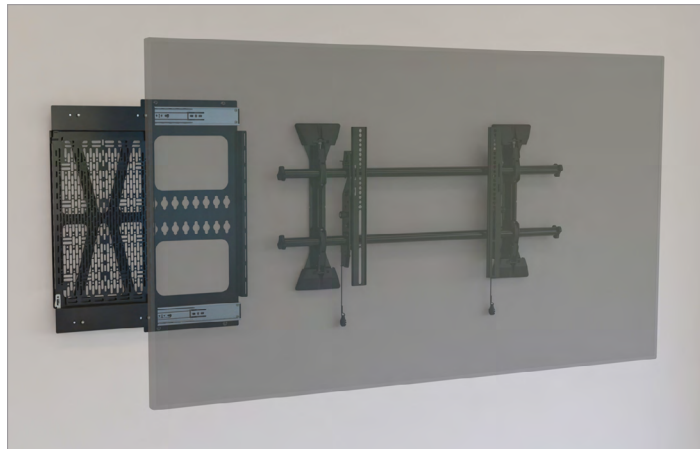
*The CSSLP15X10 can attach to Fusion ceiling mounts (including LCM & LWM menu boards) or carts and stands.

PROXIMITY

COMPONENT STORAGE SLIDE-LOCK PANEL

CSSLP15X10

CSSLP15X10 on-wall installation with LTM1U (sold separately)



Dual-display installation of CSSLP15X10 with LTM1U (sold separately) and FCA810HS (sold separately)



SPECIFICATIONS

COLOR	Black
EXTENSION	10" (254 mm)
MOUNTING METHOD	On-wall or Fusion mount extrusion
SMALL DEVICE MOUNTING AREA	9.85" x 15.86" (250mm x 403 mm); Min. small device depth is 0.74" (19 mm)
OVERALL DIMENSIONS (H X W X D)	22.71" x 10.69" x 1.39" (577 mm x 272 mm x 35 mm)
SHIPPING DIMENSIONS	26.25" x 15" x 2" (667 mm x 381 mm x 51 mm)
SHIPPING WEIGHT	10 lbs (4.54 kg)
TYPICAL SCREEN SIZES	50" and up
WEIGHT CAPACITY	15 lbs (6.8 kg)
ORIENTATION	Landscape and Portrait

LEGRAND | AV COMMERCIAL BRANDS

C2G | Chief | Da-Lite | Luxul | Middle Atlantic | Vaddio | Wiremold

PROXIMITY

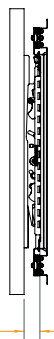
COMPONENT STORAGE SLIDE-LOCK PANEL

CSSLP15X10

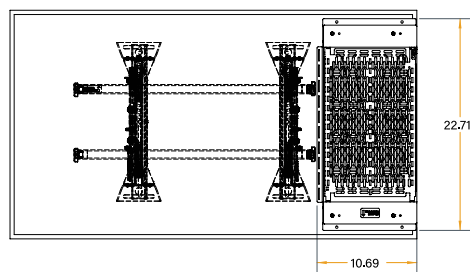
Fits behind 50" displays in vertical orientation only. Note: table shows recommended compatible display VESA mounting patterns.

TV SIZE (in.)	MOUNTING PATTERN WIDTH (mm)
50	200 - 400
55+	Any mounting pattern width

1.36
SMALL DEVICE MOUNTING
DEPTH W/ FUSION MOUNT
AND NO SPACERS



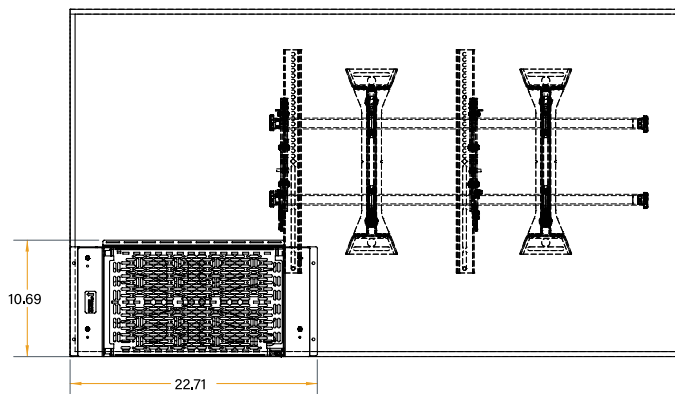
TYPICAL 50" DISPLAY
400MM MOUNTING PATTERN WIDTH
SHOWN ON MTM1U



Fits in horizontal position for displays 65" or larger. Note: table shows recommended compatible display VESA mounting patterns.

TV SIZE (in.)	MOUNTING PATTERN WIDTH (mm)	MOUNTING PATTERN HEIGHT (mm)
65	500 or less	400 or less
70+	Any mounting pattern width	Any mounting pattern height

*Has to be on Large or Extra-Large Fusion Mount



TYPICAL 65" DISPLAY
400MM MOUNTING PATTERN WIDTH
SHOWN ON LTM1U

LEGRAND | AV COMMERCIAL BRANDS

C2G | Chief | Da-Lite | Luxul | Middle Atlantic | Vaddio | Wiremold

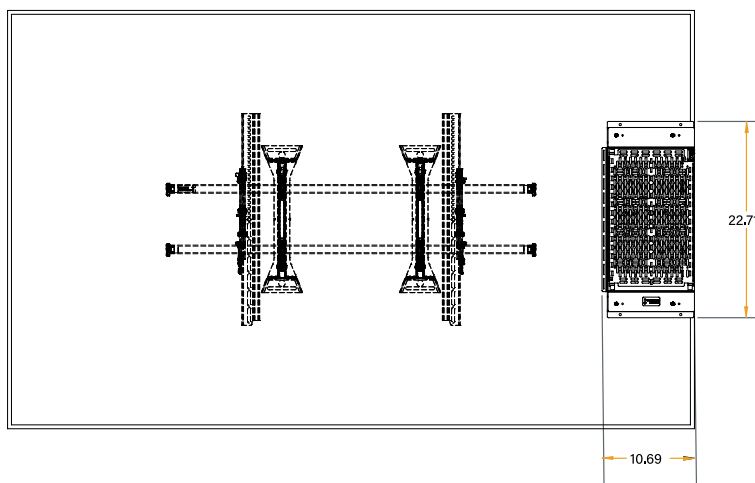
PROXIMITY

COMPONENT STORAGE SLIDE-LOCK PANEL

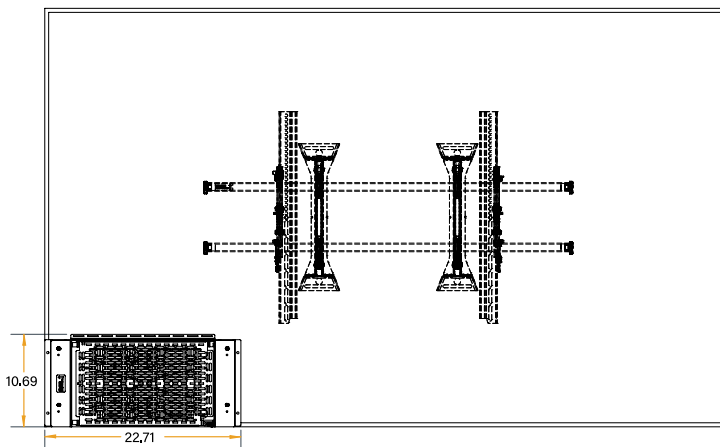
CSSLP15X10

Multiple CSSLP15X10 can be installed in both vertical or horizontal orientation for displays 70" or larger. Minimum depth of small devices is 1.84". Additional depth can be gained by adding spacers to the mount.

TYPICAL 86" DISPLAY
600MM MOUNTING PATTERN WIDTH
SHOWN ON XTM1U



TYPICAL 86" DISPLAY
600MM MOUNTING PATTERN WIDTH
SHOWN ON XTM1U



LEGRAND | AV COMMERCIAL BRANDS

C2G | Chief | Da-Lite | Luxul | Middle Atlantic | Vaddio | Wiremold

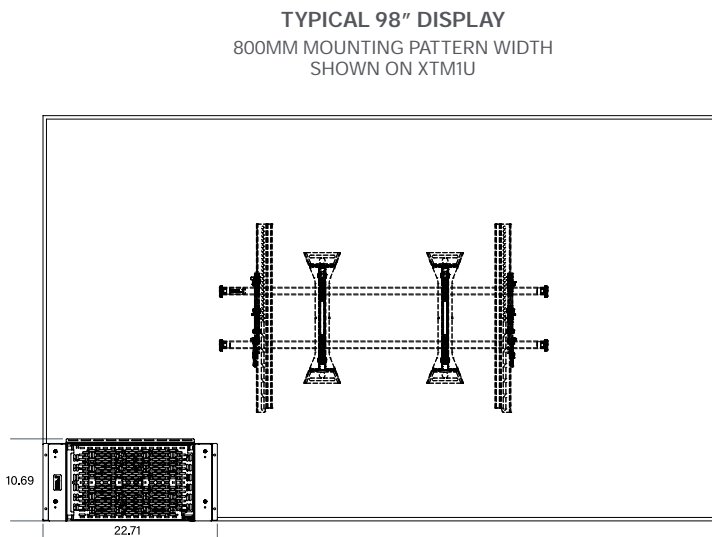
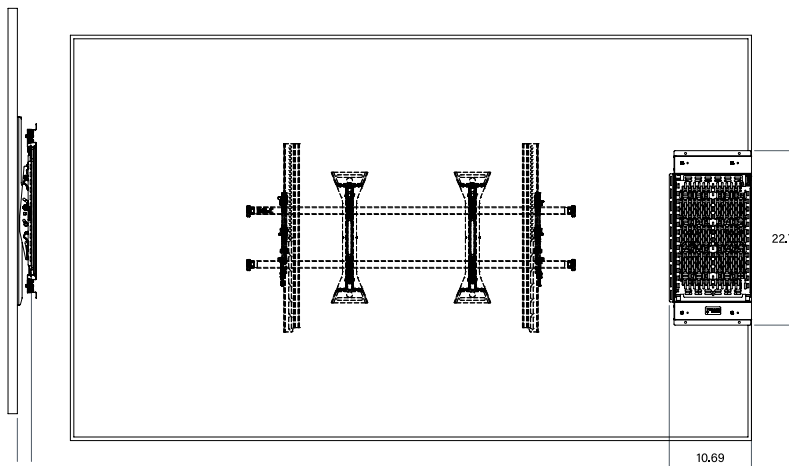
PROXIMITY

COMPONENT STORAGE SLIDE-LOCK PANEL

CSSLP15X10

Multiple CSSLP15X10 can be installed in both vertical or horizontal orientation for displays 70" or larger. Minimum depth of small devices is 1.84". Additional depth can be gained by adding spacers to the mount.

1.84
SMALL DEVICE MOUNTING
DEPTH W/ XL FUSION MOUNT
AND NO SPACERS



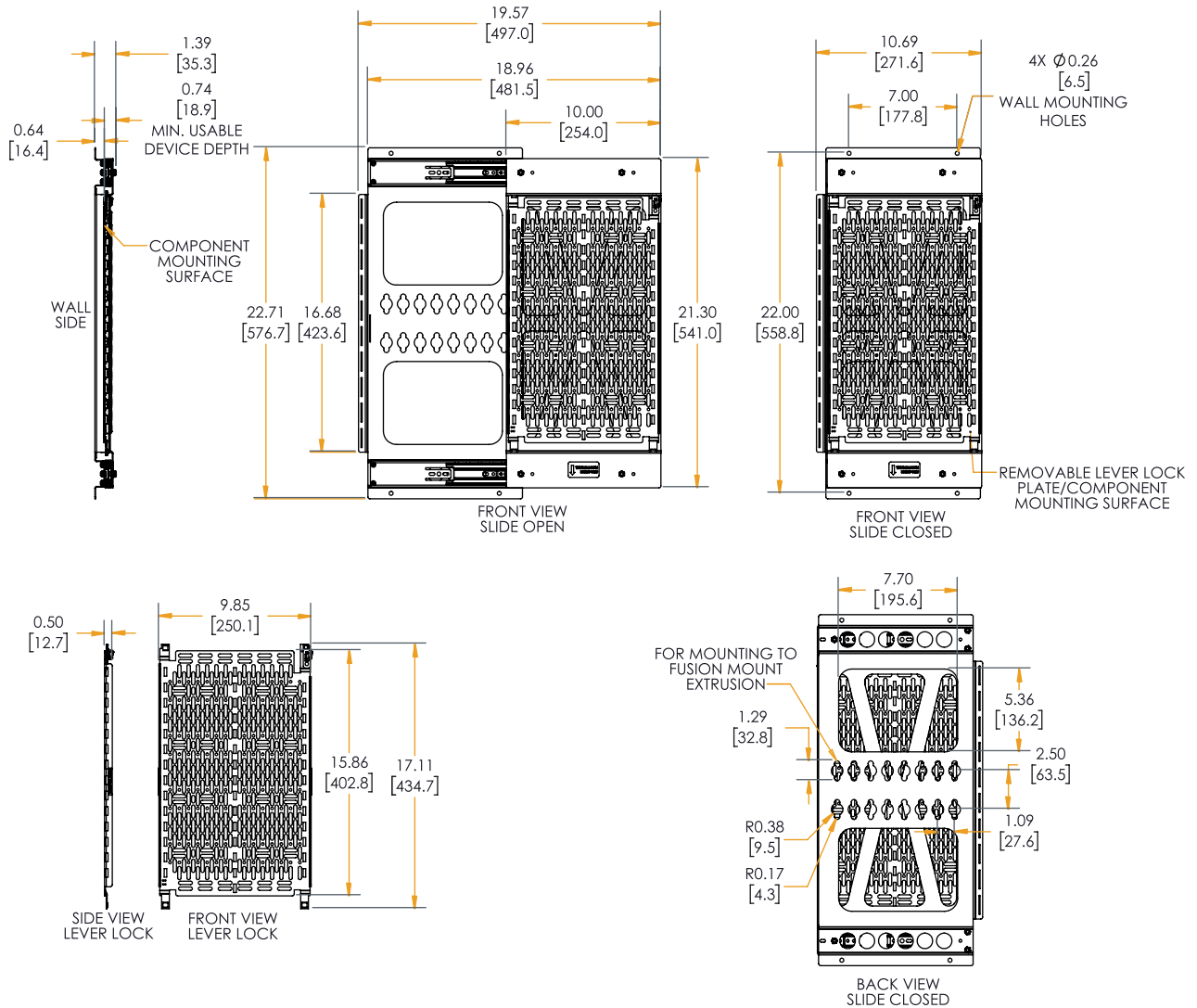
LEGRAND | AV COMMERCIAL BRANDS

C2G | Chief | Da-Lite | Luxul | Middle Atlantic | Vaddio | Wiremold

PROXIMITY

COMPONENT STORAGE SLIDE-LOCK PANEL

CSSLP15X10



LEGRAND | AV COMMERCIAL BRANDS

C2G | Chief | Da-Lite | Luxul | Middle Atlantic | Vaddio | Wiremold

INSTALLER INSPIRED | legrandav.com

USA 866.977.3901 av.chief.support@legrand.com CANADA 877.345.4329 av.chief.canada@legrand.com

EMEA +31 495 580 840 av.emea.sales@legrand.com APAC +852 2145 4099 av.asia.sales@legrand.com

©2021 Legrand AV Inc. 210466 Rev A 7/21 Chief is a registered trademark of Legrand AV Inc. All other brand names or marks are used for identification purposes and are trademarks of their respective owners. All patents are protected under existing designations. Other patents pending.