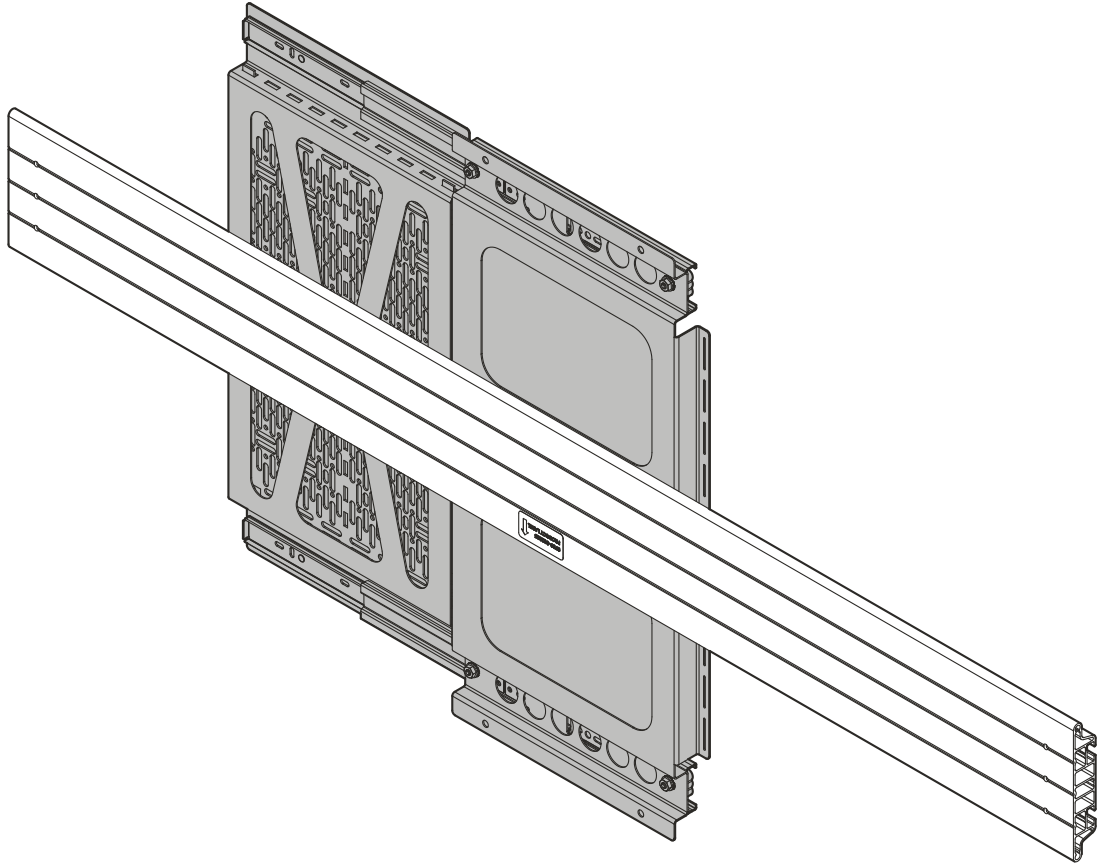


---

# INSTALLATION INSTRUCTIONS

---



---

## Sliding Storage Panel

---

## DISCLAIMER

Legrand | AV and its affiliated corporations and subsidiaries (collectively “Legrand | AV”), intend to make this manual accurate and complete. However, Legrand | AV makes no claim that the information contained herein covers all details, conditions or variations, nor does it provide for every possible contingency in connection with the installation or use of this product. The information contained in this document is subject to change without notice or obligation of any kind. Legrand | AV makes no representation of warranty, expressed or implied, regarding the information contained herein. Legrand | AV assumes no responsibility for accuracy, completeness or sufficiency of the information contained in this document.

## DEFINITIONS

**MOUNTING SYSTEM:** A MOUNTING SYSTEM is the primary Chief product to which an accessory and/or component is attached.

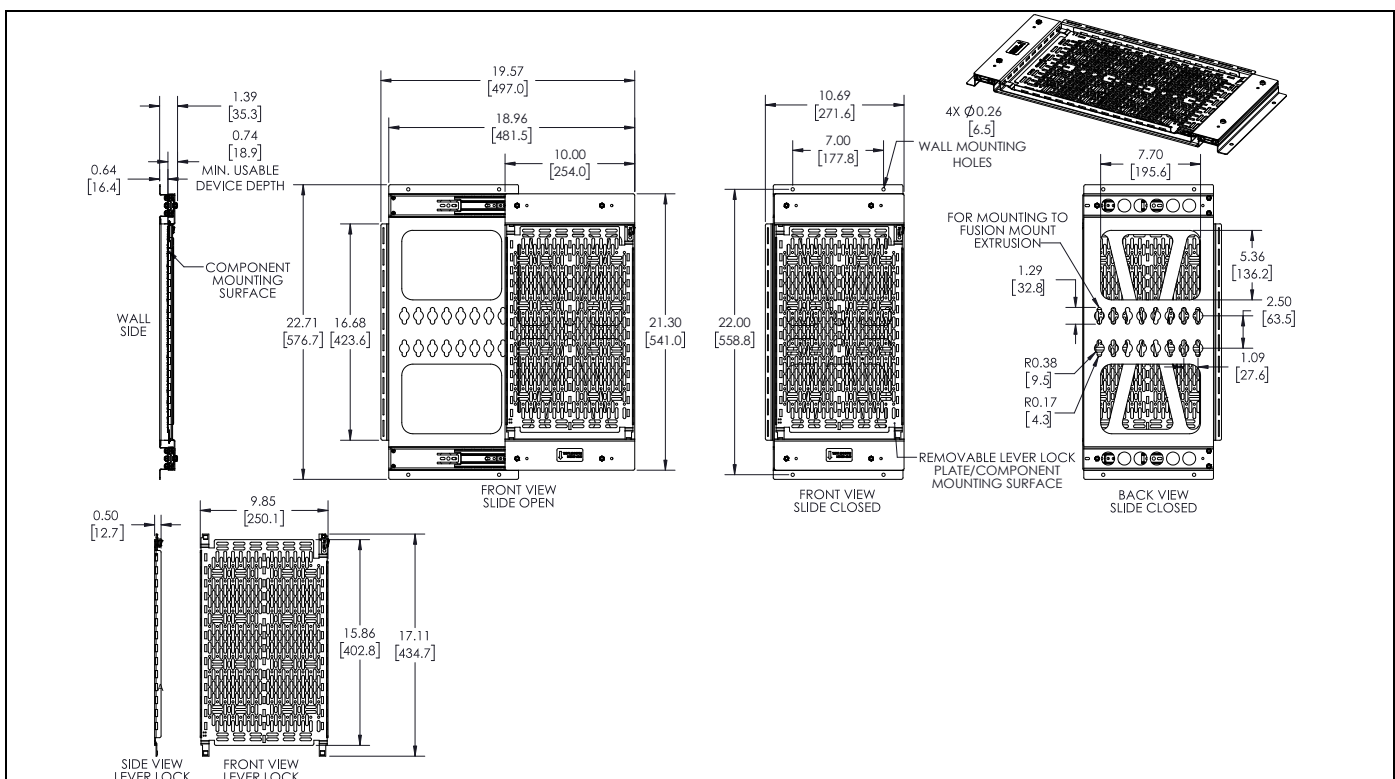
**ACCESSORY:** AN ACCESSORY is the secondary Chief product which is attached to a primary Chief product, and may have a component attached or setting on it.

**COMPONENT:** A COMPONENT is an audiovisual item designed to be attached or resting on an accessory or mounting system such as a video camera, CPU, screen, display, projector, etc.

**WARNING:** A WARNING alerts you to the possibility of serious injury or death if you do not follow the instructions.

**CAUTION:** A CAUTION alerts you to the possibility of

## DIMENSIONS



damage or destruction of equipment if you do not follow the corresponding instructions.

## IMPORTANT SAFETY INSTRUCTIONS

**WARNING:** Failure to read, thoroughly understand, and follow all instructions can result in serious personal injury, damage to equipment, or voiding of factory warranty! It is the installer’s responsibility to make sure all accessories are properly assembled and installed using the instructions provided.

**WARNING:** Exceeding the weight capacity can result in serious personal injury or damage to equipment! It is the installer’s responsibility to make sure the combined weight of all components attached to accessory does not exceed 15 lbs (6.8 kg).

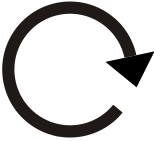

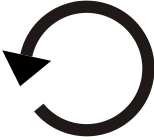









**WARNING:** Use this accessory only for its intended use as described in these instructions. Do not use attachments not recommended by the manufacturer.

**WARNING:** Never operate this accessory if it is damaged. Return the accessory to a service center for examination and repair.

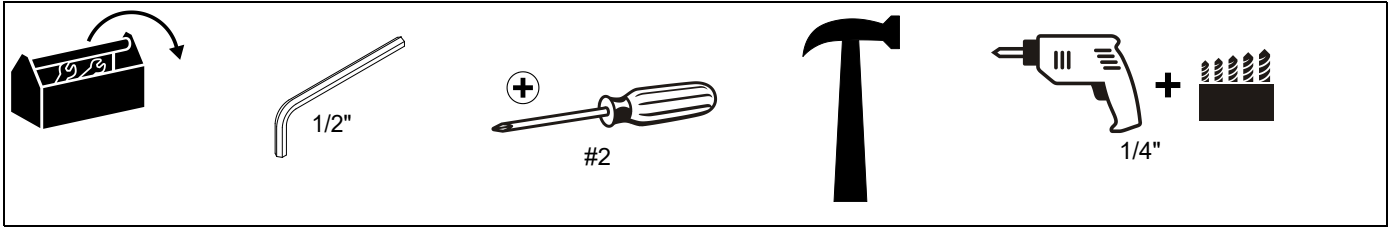
**WARNING:** Do not use this accessory outdoors.

**--SAVE THESE INSTRUCTIONS--**

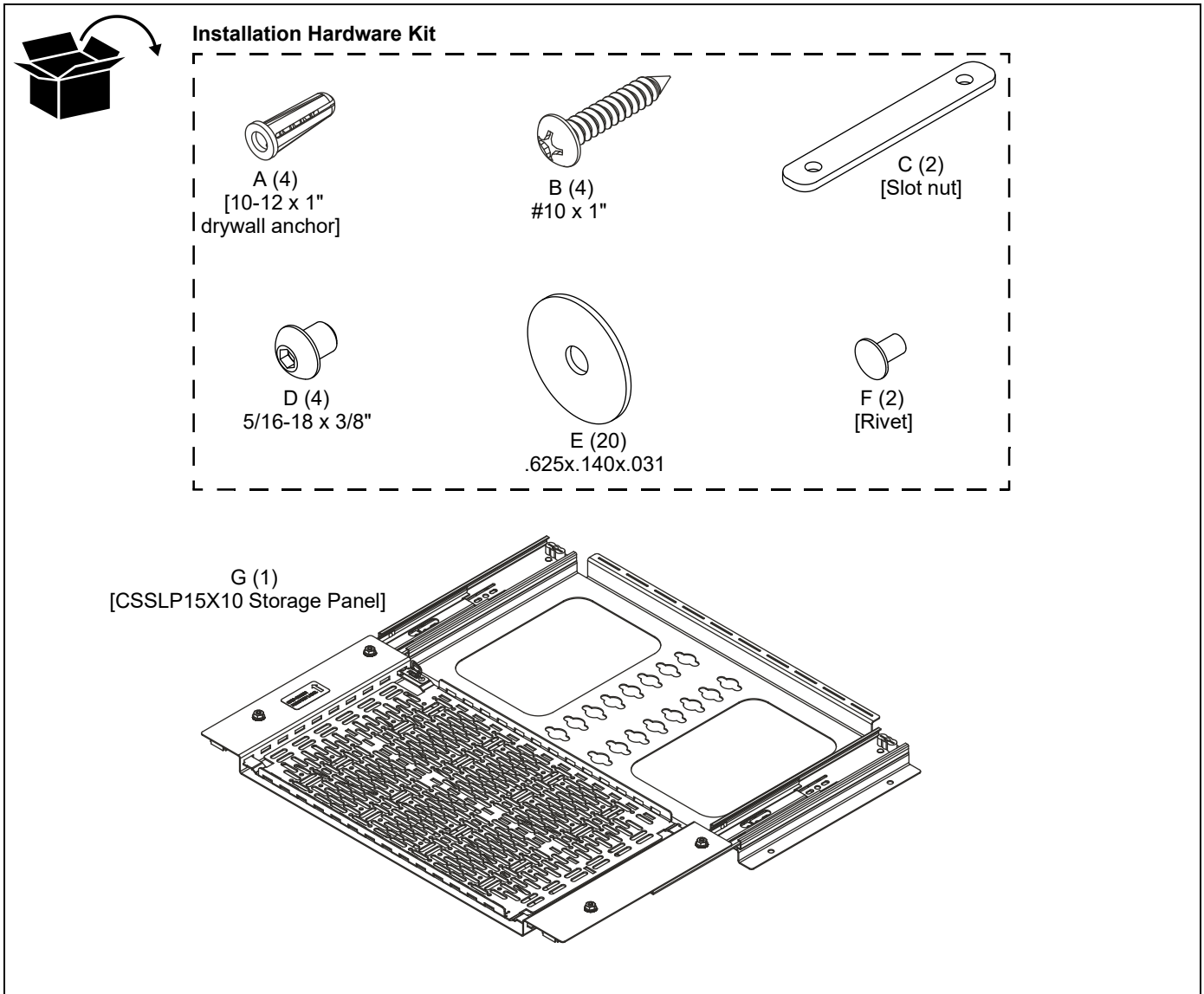
**LEGEND**

|   |  |  |  |
|---|--|--|--|
|    | <p><b>Tighten Fastener</b></p> <p>Apretar elemento de fijación</p> <p>Befestigungsteil festziehen</p> <p>Apertar fixador</p> <p>Serrare il fissaggio</p> <p>Bevestiging vastdraaien</p> <p>Serrez les fixations</p>                  |    | <p><b>Pencil Mark</b></p> <p>Marcar con lápiz</p> <p>Stiftmarkierung</p> <p>Marcar com lápis</p> <p>Segno a matita</p> <p>Potloodmerkten</p> <p>Marquage au crayon</p>                   |
|    | <p><b>Loosen Fastener</b></p> <p>Aflojar elemento de fijación</p> <p>Befestigungsteil lösen</p> <p>Desapertar fixador</p> <p>Allentare il fissaggio</p> <p>Bevestiging losdraaien</p> <p>Desserrez les fixations</p>                 |    | <p><b>Drill Hole</b></p> <p>Perforar</p> <p>Bohrloch</p> <p>Fazer furo</p> <p>Praticare un foro</p> <p>Gat boren</p> <p>Percez un trou</p>   |
|   | <p><b>Phillips Screwdriver</b></p> <p>Destornillador Phillips</p> <p>Kreuzschlitzschraubendreher</p> <p>Chave de fendas Phillips</p> <p>Cacciavite a stella</p> <p>Kruiskopschroevendraaier</p> <p>Tournevis à pointe cruciforme</p> |   | <p><b>Adjust</b></p> <p>Ajustar</p> <p>Einstellen</p> <p>Ajustar</p> <p>Regolare</p> <p>Afstellen</p> <p>Ajuster</p>   |
|  | <p><b>Open-Ended Wrench</b></p> <p>Llave de boca</p> <p>Gabelschlüssel</p> <p>Chave de bocas</p> <p>Chiave a punte aperte</p> <p>Steeksleutel</p> <p>Clé à fourche</p>   |  | <p><b>Remove</b></p> <p>Quitar</p> <p>Entfernen</p> <p>Remover</p> <p>Rimuovere</p> <p>Verwijderen</p> <p>Retirez</p>  |
|  | <p><b>By Hand</b></p> <p>A mano</p> <p>Von Hand</p> <p>Com a mão</p> <p>A mano</p> <p>Met de hand</p> <p>À la main</p>   |  | <p><b>Optional</b></p> <p>Opcional</p> <p>Optional</p> <p>Opcional</p> <p>Opzionale</p> <p>Optie</p> <p>En option</p>  |
|  | <p><b>Hex-Head Wrench</b></p> <p>Llave de cabeza hexagonal</p> <p>Sechskantschlüssel</p> <p>Chave de cabeça sextavada</p> <p>Chiave esagonale</p> <p>Zeskantsleutel</p> <p>Clé à tête hexagonale</p>                                 |  | <p><b>Security Wrench</b></p> <p>Llave de seguridad</p> <p>Sicherheitsschlüssel</p> <p>Chave de segurança</p> <p>Chiave di sicurezza</p> <p>Veiligheidsleutel</p> <p>Clé de sécurité</p> |

**TOOLS REQUIRED FOR INSTALLATION**



**PARTS**



## INSTALLATION

**NOTE:** The storage panel (G) may be installed using either of two methods. Proceed to either **Installing Storage Panel to Wall** section OR **Installing Storage Panel to Extrusion** section.

### Installing Storage Panel to Wall

**NOTE:** The storage panel (G) may be installed directly on the wall in one of two horizontal positions or vertically below the display. (See Figure 1) or (See Figure 2)

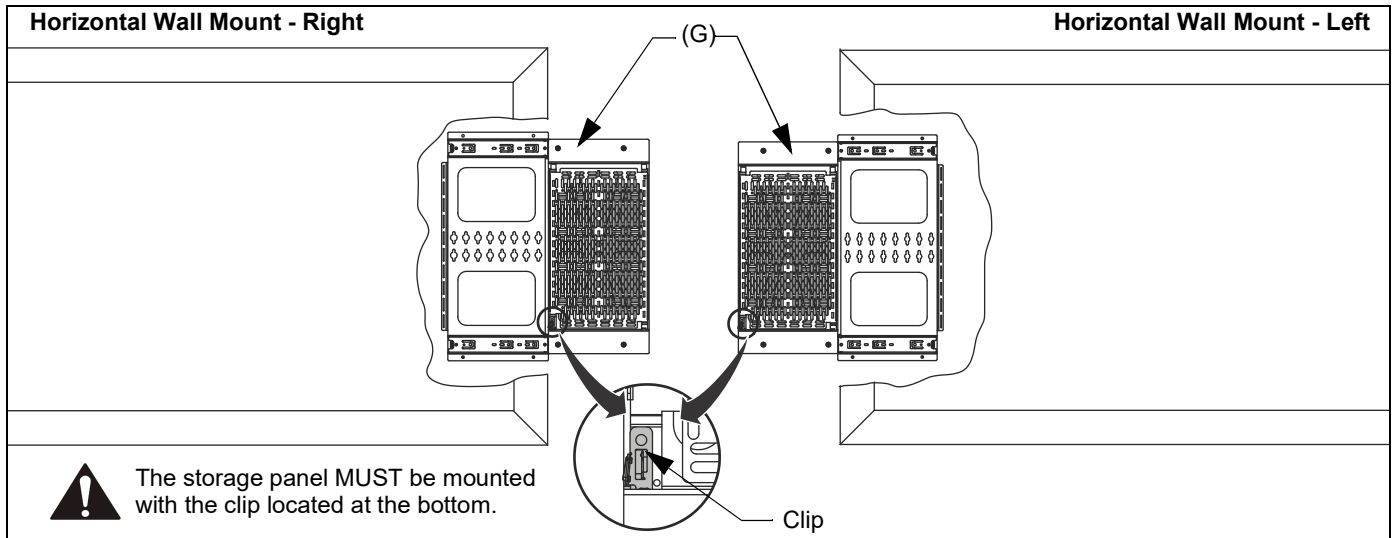


Figure 1

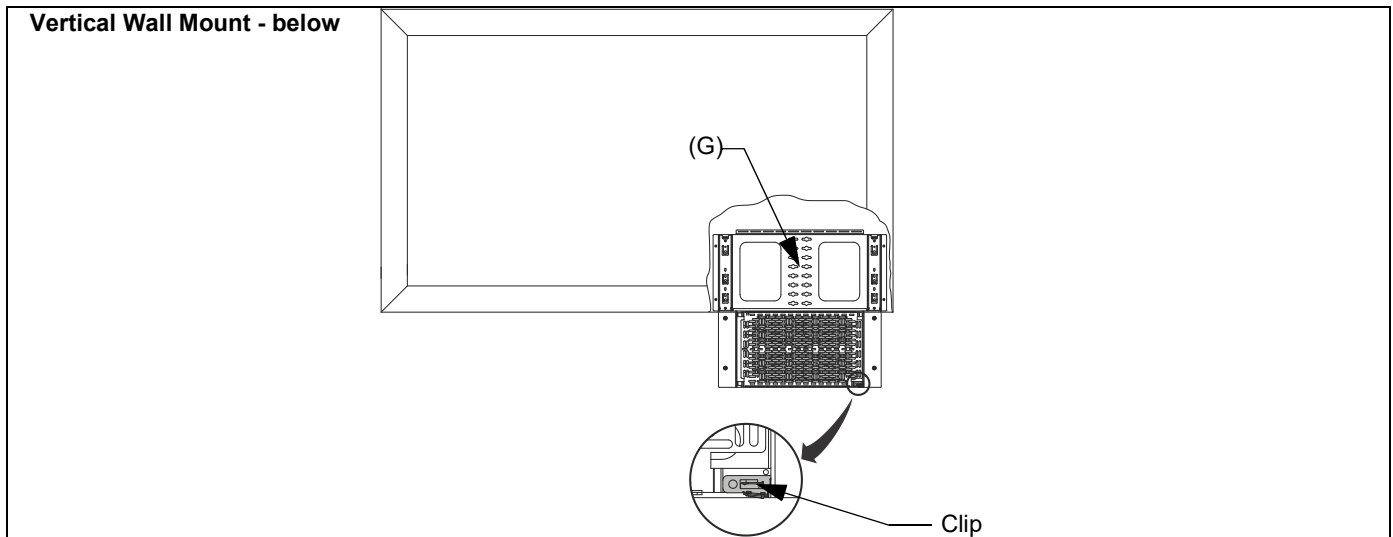


Figure 2

1. Determine location for the CSSLP15X10.
2. Using the CSSLP15X10 (G) as a template, mark the locations of four mounting holes. (See Figure 3)

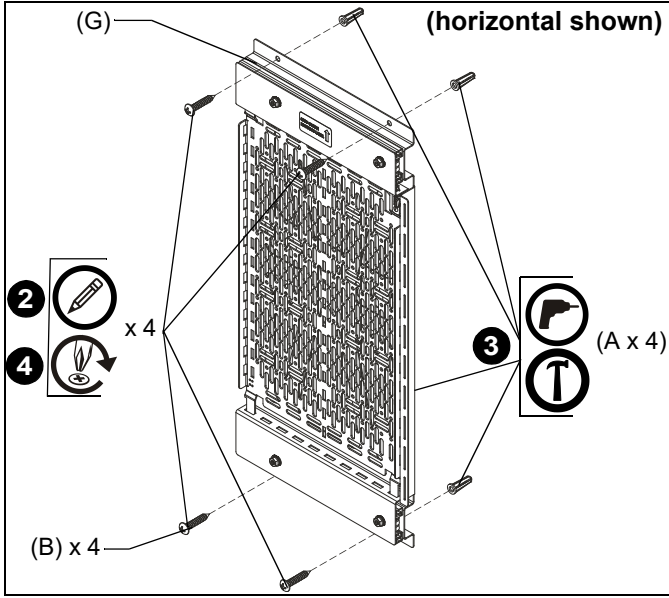


Figure 3

3. Drill four 1/4" pilot holes and insert drywall anchors (A) at markings. (See Figure 3)



**CAUTION:** The storage panel must be mounted with the clip at the bottom. (See Figure 1)

4. Fasten storage panel (G) to wall using four #10 x 1" Phillips pan wood screws (B). (See Figure 3)

**Installing Storage Panel to Extrusion**

**NOTE:** The storage panel may be located anywhere along the extrusion. For ease of use, it may be more convenient to place it to the extreme left or right side of the extrusion.

1. Remove screws and end cap from extrusion. (See Figure 4)

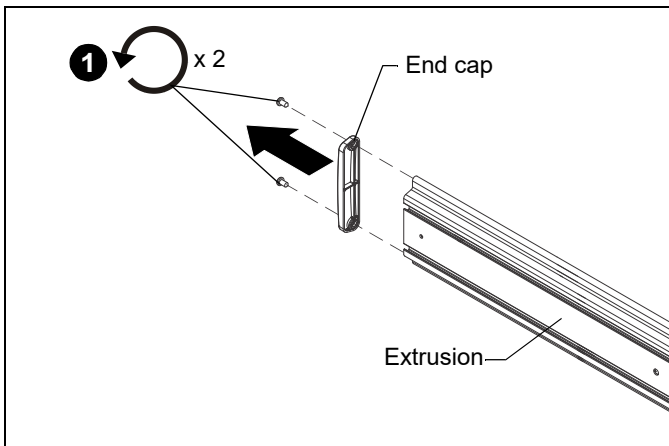


Figure 4

2. Insert four 5/16-18 x 3/8" button head cap screws (D) into the two slot nuts (C) and partially tighten. (See Figure 5)

3. Slide two slot nuts (C) into end of extrusion. (See Figure 5)

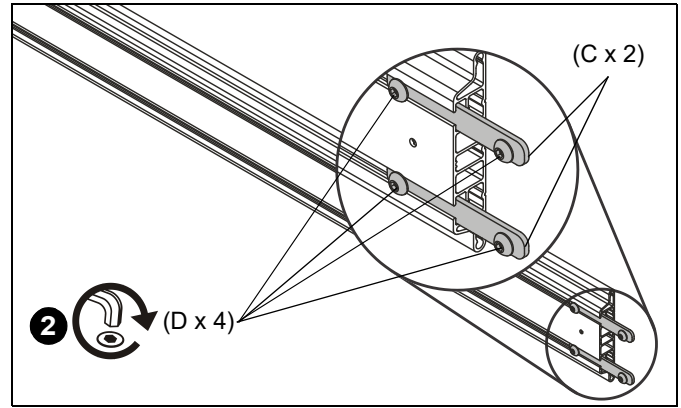


Figure 5



**CAUTION:** The storage panel must be mounted with the clip at the bottom. (See Figure 1) and (See Figure 6)

4. Hold the storage panel (G) over the four button head screws (D) and lower the storage panel keyholes over the screws. (See Figure 6)

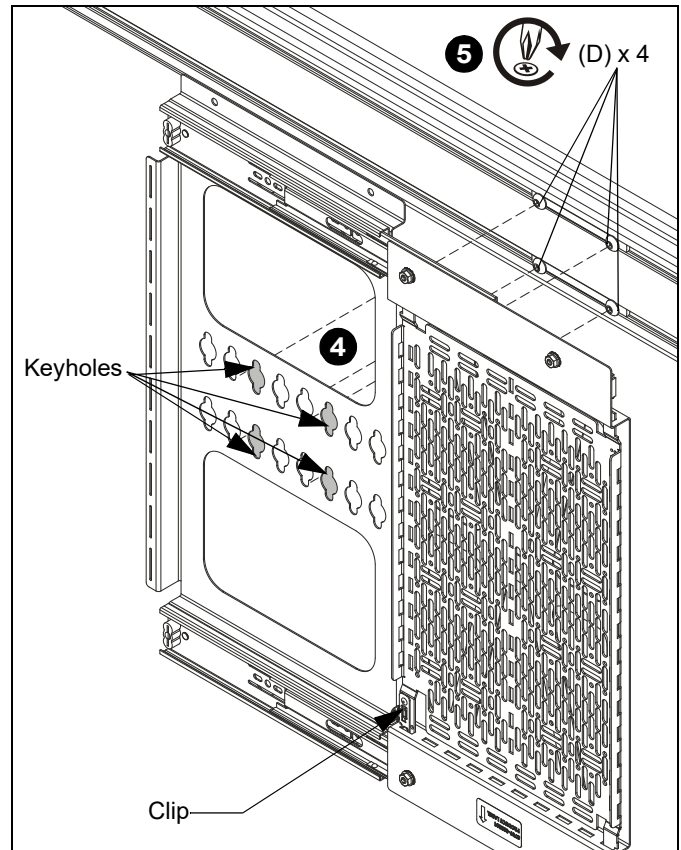


Figure 6

5. Tighten screws securely against the storage panel.

### Attaching Components

1. Remove mounting plate from storage panel by pressing inward on the clip located at the bottom of the storage panel. (See Figure 7)
2. Place component(s) on mounting plate and position in the desired location with the hole pattern in mounting plate best aligned to component mounting holes. (See Figure 7)

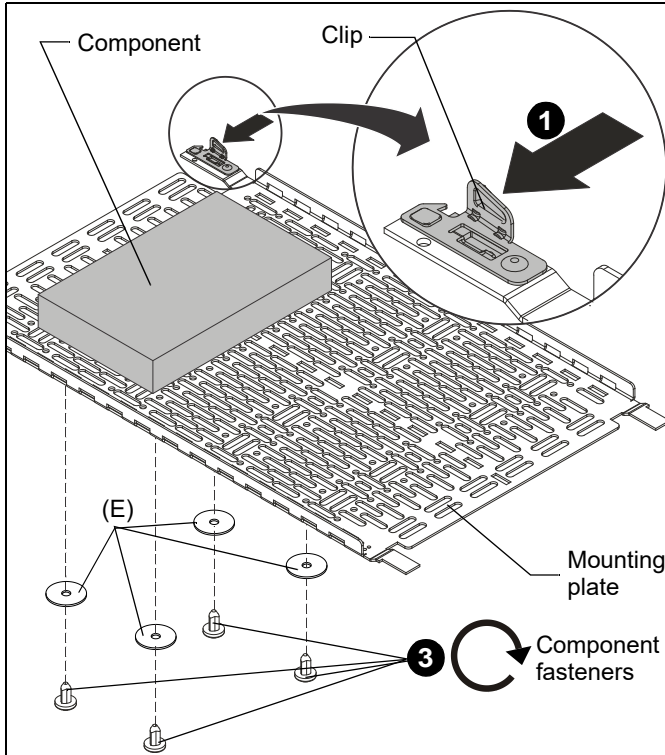


Figure 7

3. Using the fasteners provided with the component and the washers (E), attach the component to the mounting plate. (See Figure 7)
4. Return mounting plate to storage panel by installing the side without the clip into the panel first, followed by the side with the clip until it clicks into place. (See Figure 8)
5. **OPTIONAL:** If desired, install plastic rivet into hole next to clip to secure the mounting plate in place. (See Figure 8)

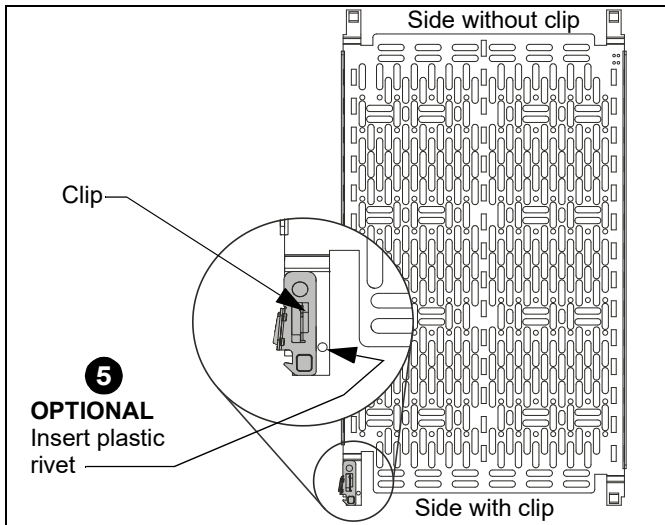


Figure 8

### Component Panel Usage

1. Gently push component panel in until it unlocks. (See Figure 9)

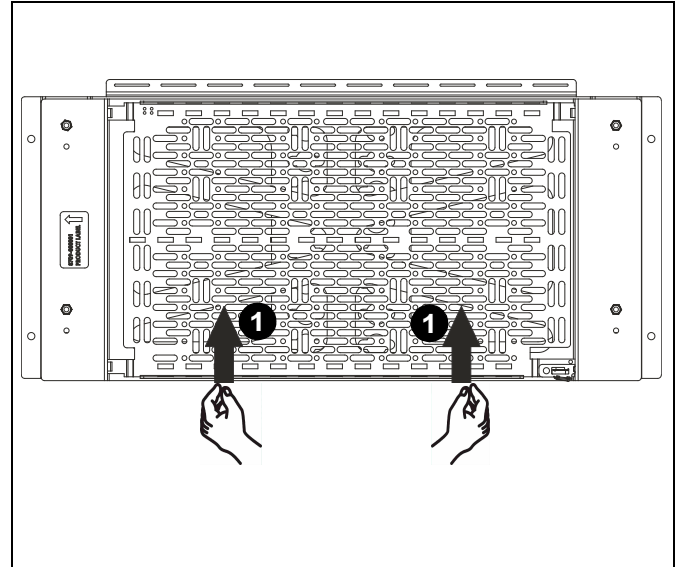


Figure 9

2. Pull component panel out away from display. (See Figure 10)

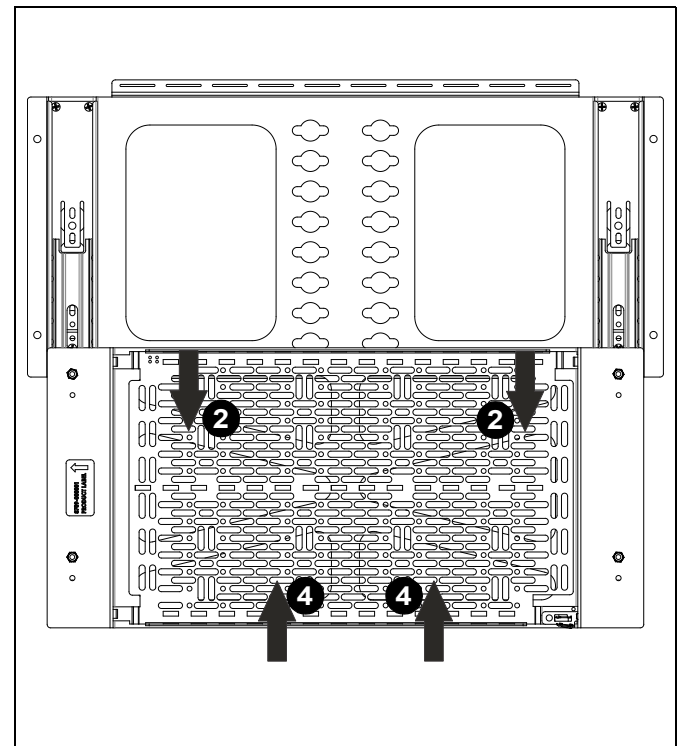


Figure 10

3. Access components on panel as desired.
4. Push component panel back into place until it "clicks" back into its original position. (See Figure 10)



8800-003297 Rev00  
©2021 Legrand | AV  
[www.legrandav.com](http://www.legrandav.com)  
04/2021

|                          |  |
|--------------------------|--|
| <b>USA/International</b> | <b>A</b> 6436 City West Parkway, Eden Prairie, MN 55344<br><b>P</b> 800.582.6480 / 952.225.6000<br><b>F</b> 877.894.6918 / 952.894.6918                  |
| <b>Europe</b>            | <b>A</b> Franklinstraat 14, 6003 DK Weert, Netherlands<br><b>P</b> +31 (0) 495 580 852<br><b>F</b> +31 (0) 495 580 845                                   |
| <b>Asia Pacific</b>      | <b>A</b> Office No. 918 on 9/F, Shatin Galleria<br>18-24 Shan Mei Street<br>Fotan, Shatin, Hong Kong<br><b>P</b> 852 2145 4099<br><b>F</b> 852 2145 4477 |

