

ergotron[®]

moving you forward

HX *Desk Monitor Arm*

- Allows you to work comfortably and helps reduce eye, back and neck strain
- Adjust displays with a light touch, thanks to Constant Force™ technology
- Frees up space in tight areas by folding arm when not in use
- Passes Ergotron's 10,000-cycle motion test for years of trouble-free height adjustment
- 10-year warranty
- Multiple desk attachment options included with HX arms and as accessory kits

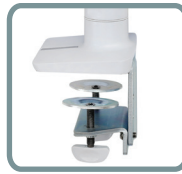


SLEEK NEW POST DESIGN



The HX Monitor Arm is the perfect accessory to add flexibility and superior ergonomics to your monitor(s). The dual/triple hinge bow works with two 32" or three 24" monitors and includes a handle for easy positioning.

HX Desk Monitor Arm



INCLUDED:
STANDARD 2-PIECE DESK CLAMP
ATTACHES TO SURFACE EDGE



INCLUDED:
GROMMET MOUNT ATTACHES
THROUGH SURFACE HOLES



CABLES ROUTE BENEATH
THE ARM, OUT OF THE WAY

HX Desk Monitor Arm with HD Pivot

HX Desk Monitor Arm

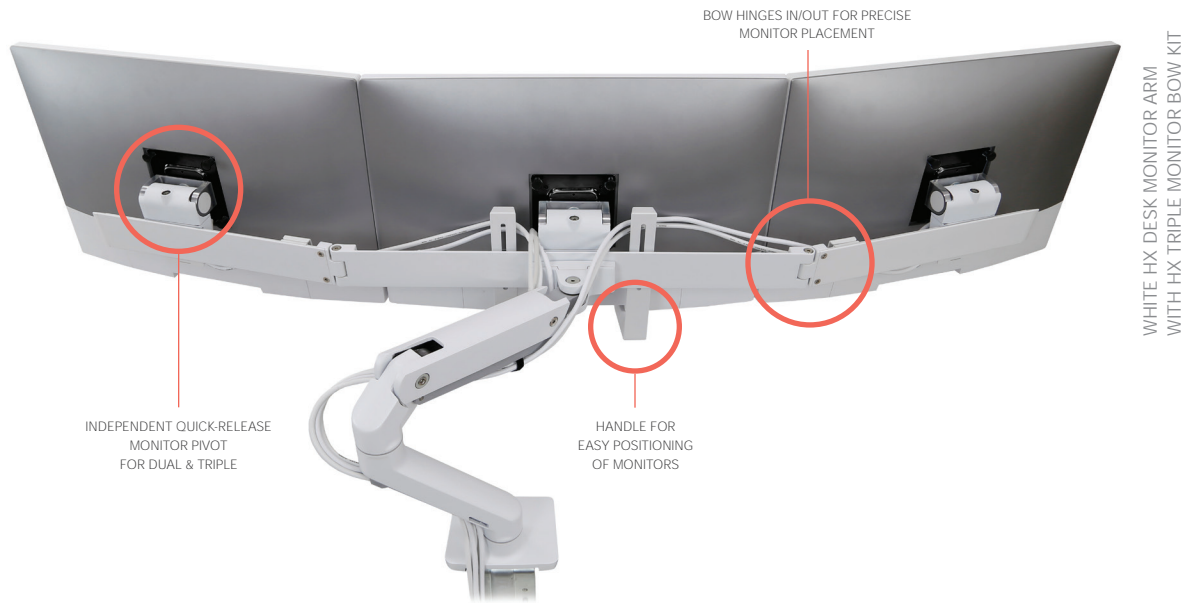
Part # color	45-647-216 white 45-647-224 matte black	45-475-216 white 45-475-224 matte black
Includes	HX Arm, Heavy-Duty Tilt Pivot, extension, monitor pivot, desk clamp, grommet mount, monitor mounting hardware	HX Arm, extension, monitor pivot, desk clamp, grommet mount, monitor mounting hardware
Typical LCD Size	≤ 49	≤ 49
<small>LCD SIZE IS APPROXIMATION. DIMENSION IS DIAGONAL MEASUREMENT OF SCREEN. LCD SIZE ON HX SINGLE MAY BE EXCEEDED AS LONG AS SCREEN WEIGHT DOES NOT EXCEED MAXIMUM WEIGHT CAPACITY OF THE MOUNT.</small>		
Weight Capacity	Wide curved displays 15,2–30,4 cm deep and weighing 12,7–19,1 kg like the Samsung® Odyssey G9 Gaming Monitor	9,1–19,1 kg
Lift	29,2 cm	
Tilt	↑15° / ↓5°	↑70° / ↓5° Quick release monitor on Dual and Triple only
Extension Pan	360°	
Base Rotation	180°	
VESA	MIS-D	MIS-D/E/F See website
Extension	≤ 60 cm	
Shipping Weight	7,84 kg	8,3 kg
Shipping Dimensions	48,6 x 30,8 x 17,8 cm	30,5 x 48,8 x 17,8 cm
Warranty	10 years	
Pro Install Option	SRVC-PI-01	SRVC-PI-01

HX Desk Monitor Arm with HD Pivot

Create an immersive viewing experience on ultra-wide, curved displays 15.2–30.4 cm deep and weighing 12.7–19.1 kg. Or add the HX Heavy-Duty Tilt Pivot (98-540-216) to HX Desk or Wall Monitor Arms.



HX Desk Monitor Arm



	HX Desk Dual Monitor Arm	HX Triple Monitor Bow Kit
Part # color	45-476-216 white 45-476-224 matte black	98-009-216 white
Includes	HX Arm, extension, hinge bow, 2 monitor pivots, handle, desk clamp, grommet mount, monitor mounting hardware	Triple Monitor Hinge Bow, 3 monitor pivots, handle and monitor mounting hardware
Typical LCD Size	≤ 32	≤ 24
<small>LCD SIZE IS APPROXIMATION. DIMENSION IS DIAGONAL MEASUREMENT OF SCREEN. LCD SIZE ON HX SINGLE MAY BE EXCEEDED AS LONG AS SCREEN WEIGHT DOES NOT EXCEED MAXIMUM WEIGHT CAPACITY OF THE MOUNT.</small>		
Weight Capacity	2,3–8 kg per monitor	1–4,6 kg per monitor
Lift	29,2 cm	
Tilt	↑ 70° / ↓ 5° Quick release monitor on Dual and Triple only	
Extension Pan	360°	
Base Rotation	180°	
VESA	MIS-D	
Extension	≤ 62 cm	≤ 62,2 cm
Shipping Weight	12,2 kg	8,7 kg
Shipping Dimensions	41 x 48 x 19 cm	47 x 72 x 19 cm
Warranty	10 years	
Pro Install Option	SRVC-PI-02	SRVC-PI-02

Download additional literature at ergotron.com
 For more information:
 EMEA +31.33.45.45.600 / info.eu@ergotron.com
 Custom: custom@ergotron.com

© Ergotron, Inc. 25.05.2021

Content subject to change.

Patent information available at www.ergotron.com/patents.

Ergotron devices are not intended to cure, treat, mitigate or prevent any disease.

