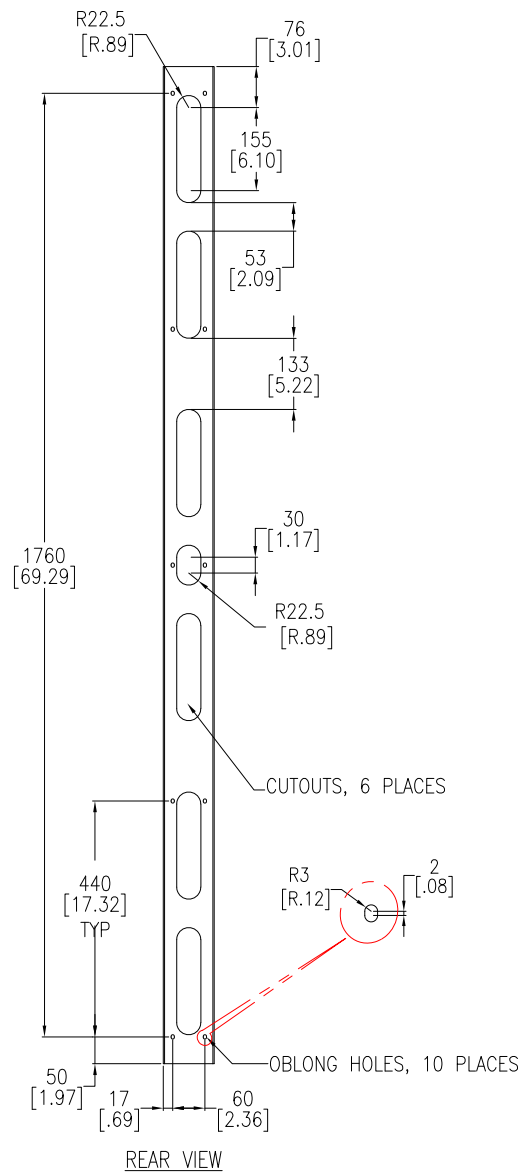
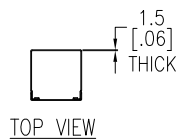
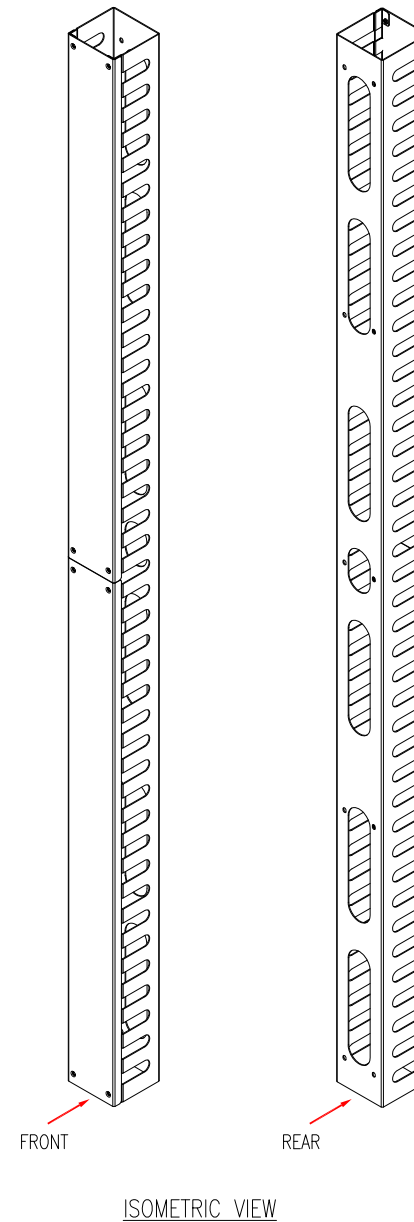


FRONT VIEW

LEFT SIDE VIEW



REAR VIEW



- NOTES:
1. INSTALLATION SHALL COMPLY WITH ALL APPLICABLE NATIONAL, STATE AND LOCAL ELECTRICAL REGULATIONS.
  2. REFER TO PRODUCT DOCUMENTATION FOR ADDITIONAL DETAILS PRIOR TO INSTALLATION AND SITE PREPARATION WORK.
  3. ALL DIMENSIONS ARE IN MILLIMETERS [INCHES].
  4. NET WEIGHT OF THE UNIT IS 6.5 kg [14.33 lb].

THIS DRAWING AND SPECIFICATIONS HEREIN ARE THE PROPERTY OF SCHNEIDER ELECTRIC AND SHALL NOT BE COPIED, REPRODUCED OR USED IN WHOLE OR IN PART, AS THE BASIS FOR THE MANUFACTURE OR SALE OF ITEMS WITHOUT WRITTEN PERMISSION FROM SCHNEIDER ELECTRIC. THIS DRAWING IS BASED UPON LATEST AVAILABLE INFORMATION AND IS SUBJECT TO CHANGE WITHOUT NOTICE.

**Schneider Electric**

TITLE: Easy RACK  
VERTICAL CABLE MANAGER, 42U  
GENERAL ARRANGEMENT

DWG NO: ER7VCM42

REV. 0

DRAWN BY: JAYAPRAKASH 12-JAN-21

FIRST

ENGINEER: Job GU 15-JAN-21

ANGLE

PROJECT: SUBMITTAL DRAWINGS SHEET 1 OF 1

APPROVED BY: Job GU 15-JAN-21

PROJECTION