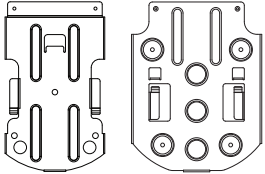


Ceiling Mount Kit Quick Installation Guide

Package Contents



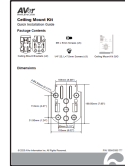
Ceiling Mount Brackets (x2)



M3 x 6mm Screws (x3)

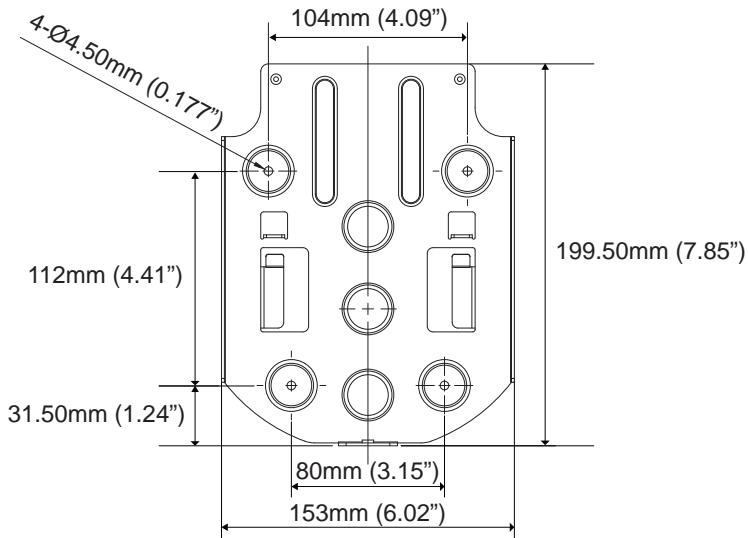


1/4"-20, L=7.5mm Screws (x3)



Ceiling Mount Kit QIG

Dimensions



Ceiling Mount Installations

1. Use two M2 x 4mm screws (in the DL camera package) to secure the cable fixing plate (in the DL camera package) to the camera. Plug in cables. Use four cable ties (in the DL camera package) to secure the cables and cable fixing plate.
2. Use four M4 (L≥10mm) screws (not supplied) to secure the mount bracket on the ceiling.
3. Use three 1/4"-20, L=7.5mm screws (in the ceiling mount kit) to install another mount bracket on the camera.
4. Slide the mount bracket with the camera into the mount bracket secured on the ceiling.
5. Use three M3 x 6mm screws (in the ceiling mount kit) to secure the camera.

