

# SMART Board® GX series

SBID-GX165  
SBID-GX175  
SBID-GX186



## DISPLAY

<b>Screen sizes (diagonal)</b>	65", 75", 86"
<b>Backlight</b>	LED
<b>Aspect ratio</b>	16:9
<b>Maximum display resolution</b>	4K UHD (3840 × 2160)
<b>Refresh rate</b>	60 Hz
<b>Lifespan</b>	≥ 50,000 hours
<b>Brightness</b>	≥ 400 cd/m <sup>2</sup>
<b>Response time</b>	≤ 8 ms
<b>Viewing angle</b>	178°
<b>Glass</b>	Fully heat-tempered, anti-glare
<b>Glass thickness</b>	4 mm
<b>Frame color</b>	Black
<b>Control panel buttons</b>	Home, back, settings/freeze, volume, power
<b>Sensors</b>	Ambient light, infrared
<b>Audio</b>	2 integrated 15 W speakers

## INTERACTIVE EXPERIENCE

<b>Touch technology</b>	Advanced infrared
<b>Touch features</b>	Object awareness™ Silktouch™
<b>Typical response time</b>	≤ 10 ms
<b>Frame rate</b>	≥ 110 Hz
<b>Accuracy</b>	±1 mm (over 90% area)
<b>Minimum object size</b>	2.0 mm
<b>Multitouch capabilities</b>	Up to 20 simultaneous interaction points
<b>Tools included</b>	Pens (×2)
<b>Tool holders</b>	Magnetic, frame-mounted

## SOFTWARE

<b>SMART Notebook® basic</b>	Included
<b>SMART Ink and SMART Product Drivers</b>	Included
<b>SMART Learning Suite</b>	Optional
<b>SMART Remote Management</b>	Optional

smarttech.com  
smarttech.com/contact

© 2021 SMART Technologies ULC. All rights reserved. SMART Board, SMART Notebook, SMART Ink, Object awareness, Silktouch, smarttech, the SMART logo and all SMART taglines are trademarks or registered trademarks of SMART Technologies ULC in the U.S. and/or other countries. The Bluetooth word mark is owned by the Bluetooth SIG, Inc. and any use of such marks by SMART Technologies ULC is under license. The Adopted Trademarks HDMI, HDMI High-Definition Multimedia Interface, and the HDMI Logo are trademarks or registered trademarks of HDMI Licensing Administrator, Inc. in the United States and other countries. All other third-party product and company names may be trademarks of their respective owners. This product and/or use thereof is covered by one or more of the following U.S. patents: www.smarttech.com/patents. Contents are subject to change without notice. January 14, 2021.

EMBEDDED EXPERIENCE	
<b>Operating system</b>	Android™ version 8.0
<b>Memory</b>	3 GB DDR
<b>Storage</b>	32 GB
<b>UI resolution</b>	4K UHD (3840 × 2160)
<b>Whiteboard application</b>	✓
<b>Web browser</b>	✓
<b>Screen sharing</b>	✓
<b>Embedded applications</b>	Setting Source setting Browser File manager Annotation Calculator Clock
<b>Object awareness supported</b>	✓
<b>WPS Office</b>	✓
<b>Ability to run third-party applications</b>	✓
<b>Cloud storage access</b>	✓
<b>Languages supported</b>	Arabic, Chinese (Simplified), Chinese (Traditional), Czech, Danish, Dutch, English, Finnish, French, German, Greek, Italian, Japanese, Korean, Norwegian, Polish, Portuguese, Romanian, Russian, Spanish, Swedish, Turkish
PC COMPUTING	
<b>OPS PC support</b>	✓
<b>OPS-C support</b>	✓
<b>PC module power supported OPS</b>	60 W
<b>Available computing modules</b>	SMART OPS PC with Windows® 10 Pro SMART Chromebox

INPUTS	Front	Back
OPS PC accessory slot (60 W devices)	–	1
HDMI® 2.0 with HDCP 1.4 and HDCP 2.2 support	1	2
Display Port 1.2	–	1
VGA video	–	1
YPbPr video 3.5 mm	–	1
AV 3.5 mm (composite video)	–	1
Stereo 3.5 mm	–	1
RS-232 room control (DB-9 connector)	–	1
RJ45 Ethernet (passthrough)	–	2
USB Type-C 4K @ 60Hz Display Port alternate mode, touch, and digital audio; 15 W power delivery	1	–
USB 2.0 Type-A	1	2
USB 2.0 Type-B	1	1
USB 3.0 Type-A	1	–

OUTPUTS	Front	Back
HDMI 2.0 with HDCP 2.2 support	–	1
Stereo 3.5 mm	–	1
Audio S/PDIF	–	1

INCLUDED CABLES AND ACCESSORIES	Qty
Country-specific power cable	1
16' 5" (5 m) USB A/B cable	1
Pens	2
External dual-band 2.4 and 5 GHz antennas ( 2 Wi-Fi, 1 access point)	3
Remote control	1
AAA batteries	2
Illustrated installation instructions	1
Important information document	1

**CONNECTIVITY**

<b>Wired</b>	RJ45 (x2) 100baseT
<b>Wi-Fi</b>	IEEE 802.11 a/b/g/n/ac with 2 x 2 MIMO (both 2.4 and 5 GHz bands) supporting WEP, WPA, WPA2 PSK, and 802.1X EAP authentication protocols Wi-Fi access point
<b>Bluetooth</b>	4.2 dual mode

**STORAGE AND OPERATING REQUIREMENTS**

<b>Power requirements</b>	100V to 240V AC, 50 Hz to 60 Hz
<b>Operating temperature</b>	32–104°F (0–40°C)
<b>Storage temperature</b>	14–140°F (-10–60°C)
<b>Humidity</b>	20–80% relative humidity, non-condensing

**POWER CONSUMPTION**

<b>Typical</b>	65": TBC 75": TBC 86": TBC
<b>Standby</b>	< 0.5 W

**CERTIFICATION AND COMPLIANCE (PARTIAL)<sup>1</sup>**

<b>U.S. / Canada</b>	UL, FCC, ISED, CONEG Packaging, Proposition 65
<b>EU / EEA / EFTA / UK</b>	CE, UKCA, LVD, CB, EMCD, RED, REACH, RoHS, Battery, WEEE, Packaging, POP
<b>Australia / New Zealand</b>	RCM
<b>Performance standards</b>	ENERGY STAR®, HDMI, USB

**PURCHASING INFORMATION**

<b>Order number: SBID-GX165</b>	SMART Board® GX065 interactive display with embedded OS and education software
<b>Order number: SBID-GX175</b>	SMART Board GX075 interactive display with embedded OS and education software
<b>Order number: SBID-GX186</b>	SMART Board GX086 interactive display with embedded OS and education software
<b>Optional accessories</b>	See <a href="http://smarttech.com/accessories">smarttech.com/accessories</a>

**WARRANTY**

<b>SMART Warranty</b>	Includes advanced hardware replacement and access to onsite support. Terms and conditions vary by region. Contact your local reseller or distributor for information and visit <a href="http://smarttech.com/warranty">smarttech.com/warranty</a> .
-----------------------	---

**CABLE REQUIREMENTS**

<b>HDMI</b>	Maximum length: 23' (7 m)
<b>USB 2.0</b>	USB 2.0 certified Hi-Speed (480 Mbps) support Maximum length: 16' (5 m)
<b>USB 3.0</b>	USB 3.0 certified SuperSpeed (5 Gbps) support Maximum length: 9' (3 m)
<b>USB Type-C</b>	USB 3.1 certified SuperSpeed (5 Gbps) support Maximum length: 6' (2 m)
<b>More information</b>	See <a href="http://smarttech.com/kb/171721">smarttech.com/kb/171721</a>

<sup>1</sup>Product availability may vary by region.

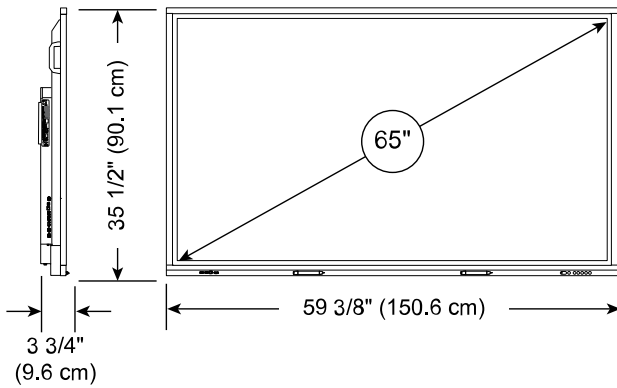
**INSTALLATION, DIMENSIONS, AND WEIGHTS**

**NOTES**

- All dimensions  $\pm 1/8"$  (0.3 cm). All weights  $\pm 2$  lb. (0.9 kg).
- Product ships upright.

**SBID-GX165**

**Dimensions**



**Weight**

92 lb. (42 kg)

**Shipping dimensions (including pallet)**

65 3/8"  $\times$  45 5/8"  $\times$  9 5/8"  
(166 cm  $\times$  115.9 cm  $\times$  24.5 cm)

**Shipping weight**

125 lb. (57 kg)

**VESA mount**

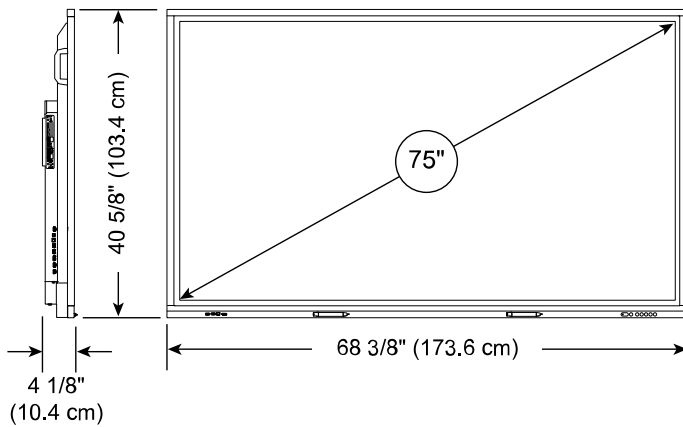
M8, 600  $\times$  400 mm

**Handles**

2

**SBID-GX175**

**Dimensions**



**Weight**

127 lb. (58 kg)

**Shipping dimensions (including pallet)**

74"  $\times$  50 1/8"  $\times$  11"  
(188 cm  $\times$  127.4 cm  $\times$  28 cm)

**Shipping weight**

165 lb. (75 kg)

**VESA mount**

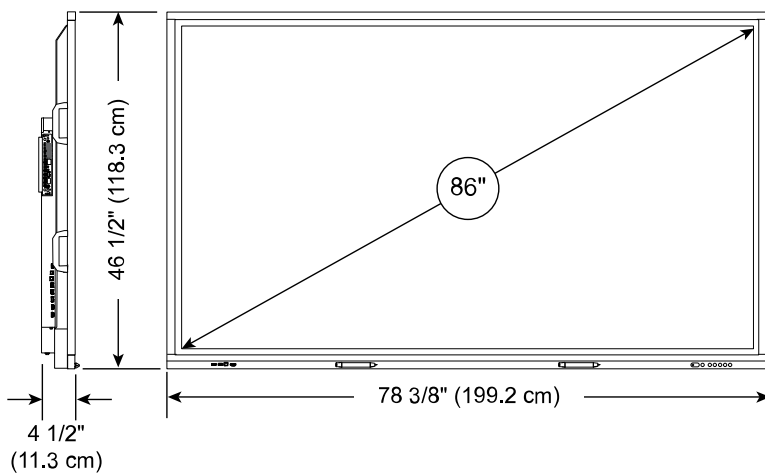
M8, 600  $\times$  400 mm

**Handles**

2

**SBID-GX186**

**Dimensions**



**Weight**

169 lb. (77 kg)

**Shipping dimensions (including pallet)**

84 1/4"  $\times$  57 1/4"  $\times$  11"  
(214 cm  $\times$  145.4 cm  $\times$  28 cm)

**Shipping weight**

219 lb. (99.5 kg)

**VESA mount**

M8, 700  $\times$  400 mm

**Handles**

4