

# bouncepad®

## EDDY

### Assembly Instructions

No Tools Required for Basic Setup

Tools Required to Fix From Above:

- Drill
- 4mm Drill Bit
- Pencil
- PZ2 Screwdriver

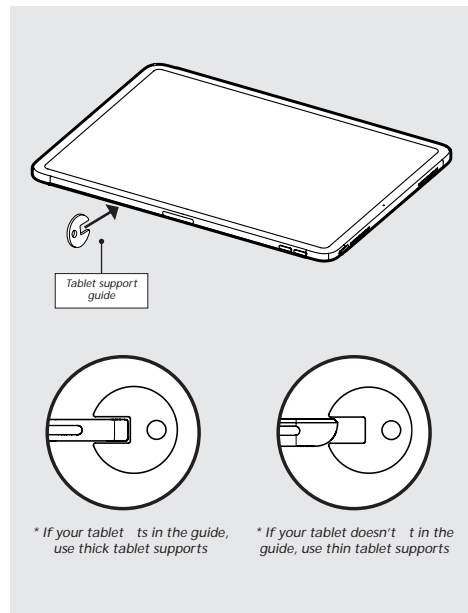
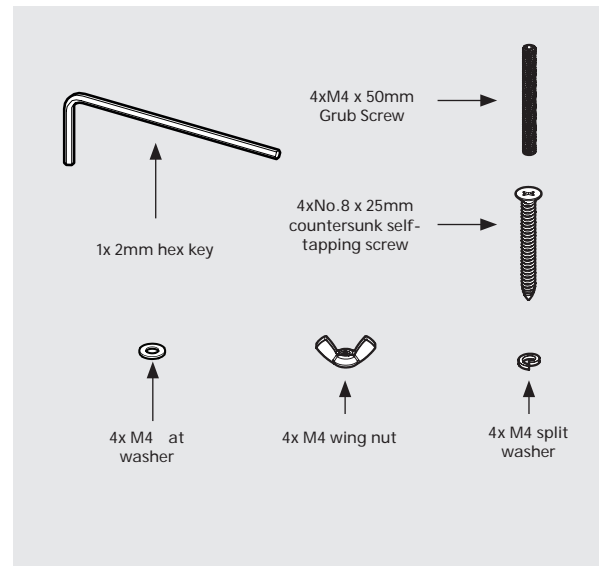
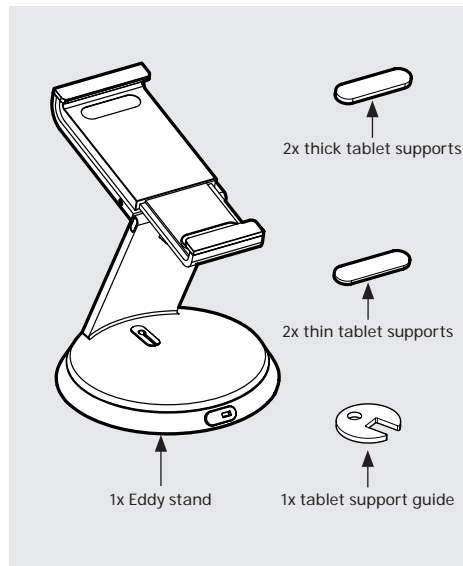
Tools Required to Fix From Below:

- Drill
- 5mm Drill Bit
- Pencil

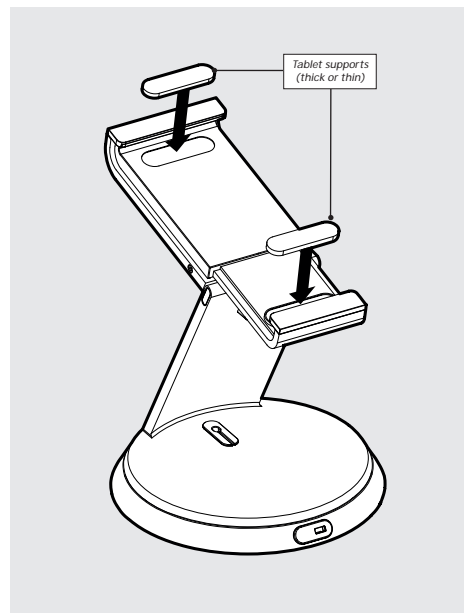
Sheet Code: BP-IM-060\_REV1

Release Date: 22/06/2020

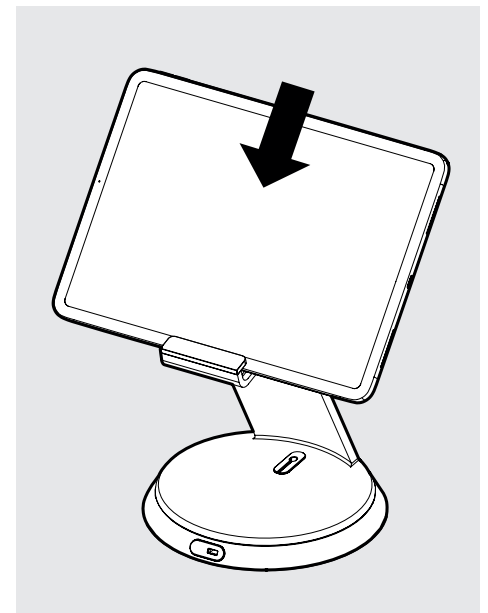
Copyright 2020 Spotspot Ltd. (T/A Bouncepad) all rights reserved. Confidential, no part of this publication may be reproduced or transmitted in any form without the written permission of the copyright holder.



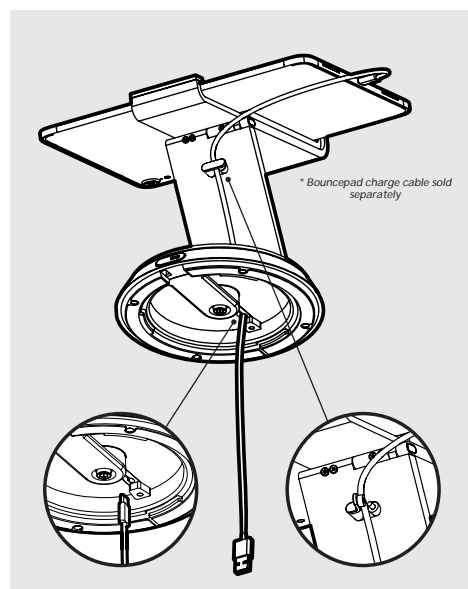
**1** Use the tablet support guide to select the correct tablet supports.



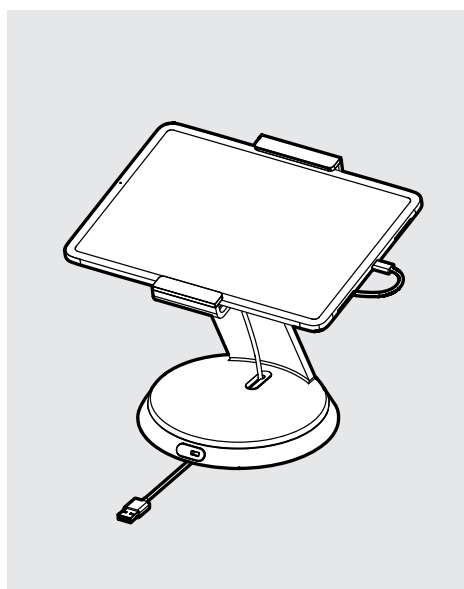
**2** Remove adhesive backing and apply tablet supports to Eddy.



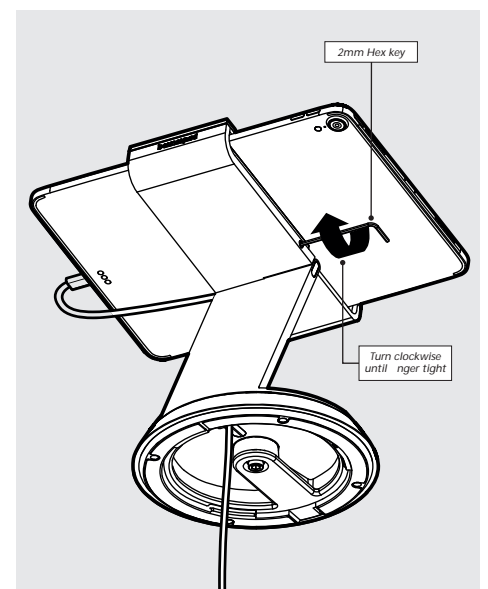
**3** Fit your tablet.



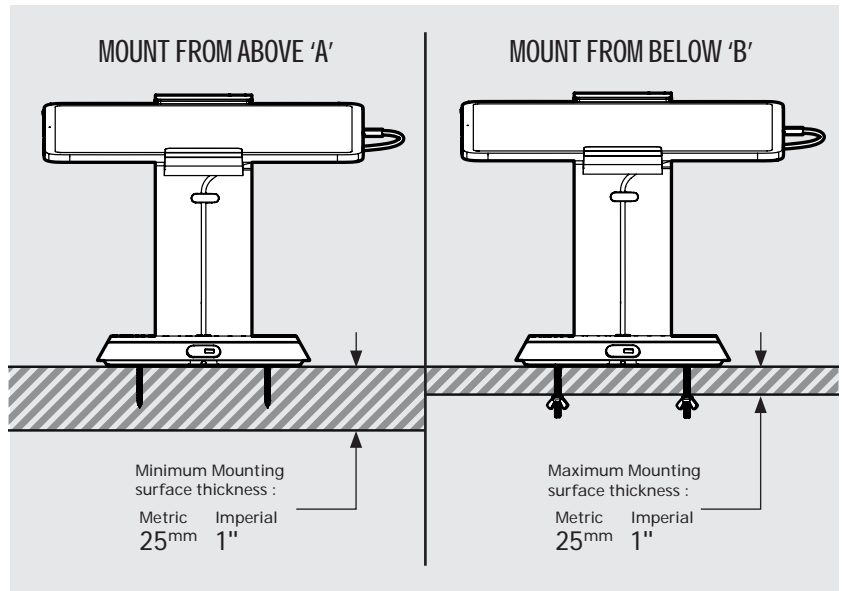
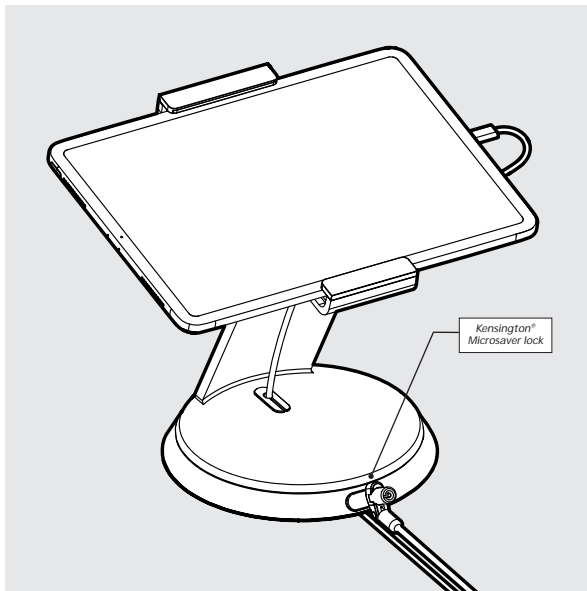
**4** Feed your charge cable through the base and plug it into your tablet. Use the rubber hooks to keep it tidy.



**5** Basic setup is now complete. Continue with Steps 6 and onwards to add security features.



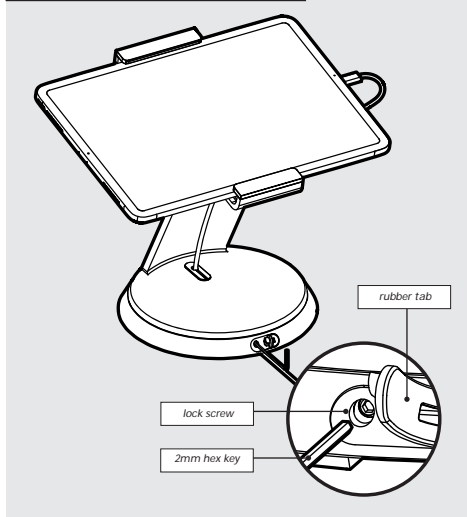
**6** Use the 2mm hex key to secure your tablet to Eddy.



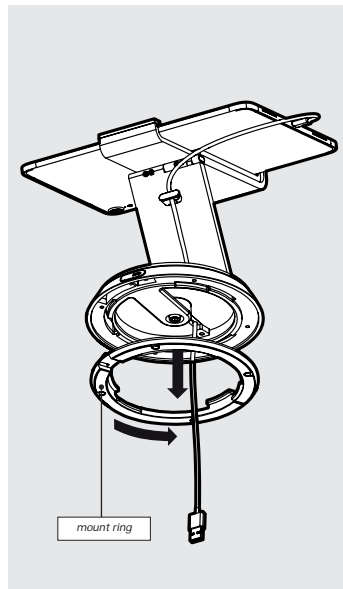
**7** Use a Kensington® Microsaver product to tether Eddy to a secure object. (refer to your Kensington® instructions for full details)

**8** To attach Eddy to a surface, first choose your mounting method. If your surface is over 25mm/1" thick continue with Steps A (Fix from Above). If your surface is under 25mm/1" thick proceed with Steps B (Fix from Below).

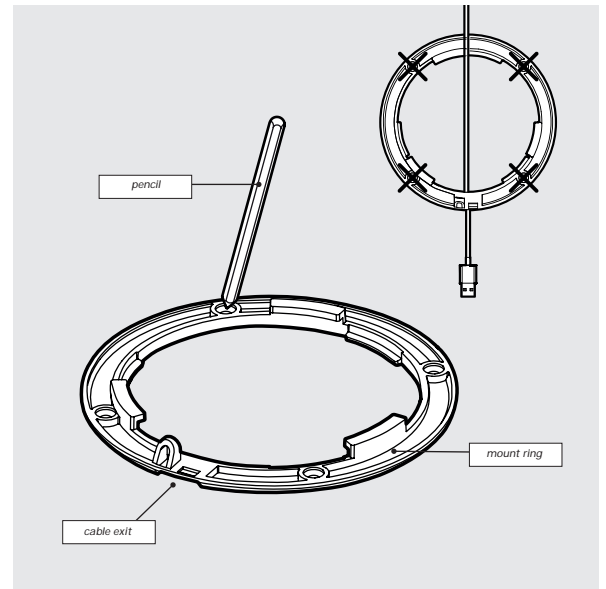
**MOUNT FROM ABOVE**



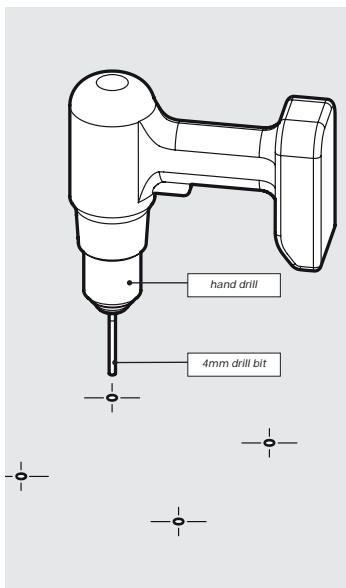
**A1** Bend back the rubber tab and use 2mm hex key to remove locking screw.



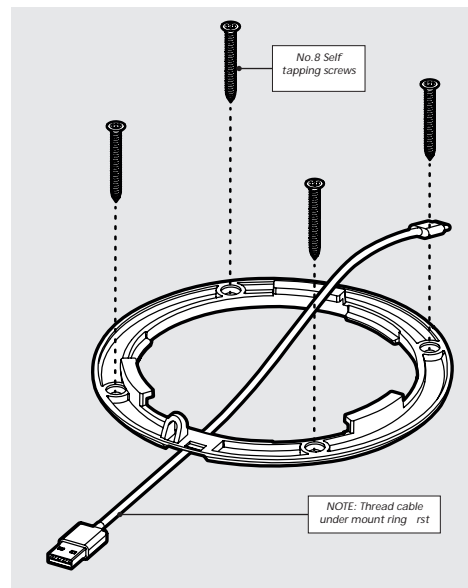
**A2** Twist mount ring anti-clockwise and pull to remove



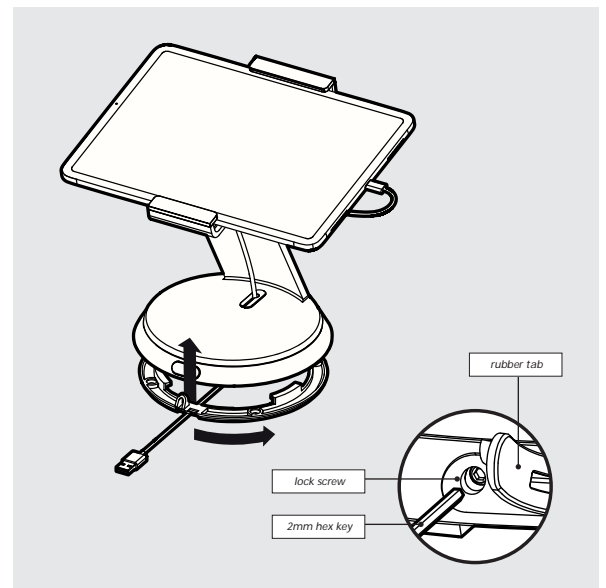
**A3** Use the holes in the mount ring to mark pilot hole positions on your surface. Ensure the cable exit is in the right direction for your installation



**A4** Use a hand drill with 4mm bit to make pilot holes in your surface.

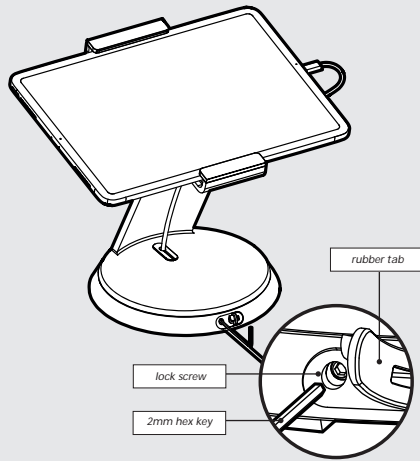


**A5** Use a P22 Screwdriver to attach Mount Ring to surface using No.8 x 25mm countersunk screws

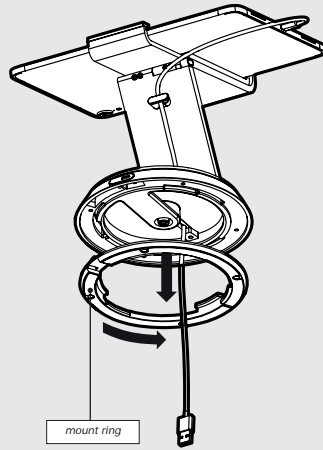


**A6** Place Eddy down onto the mount ring and twist clockwise. Re-attach lock screw with 2mm Hex key. Eddy is now securely attached to your surface

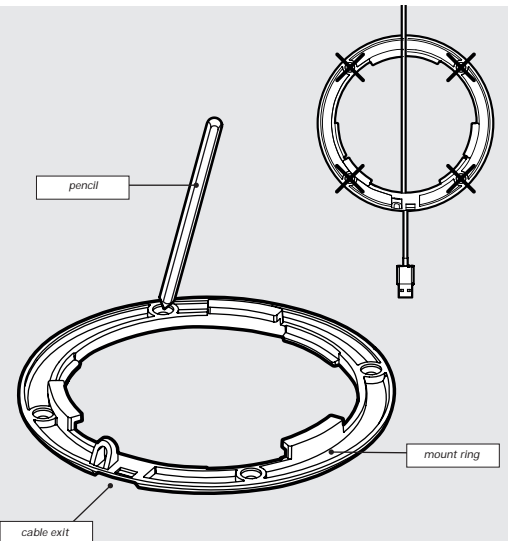
## MOUNT FROM BELOW



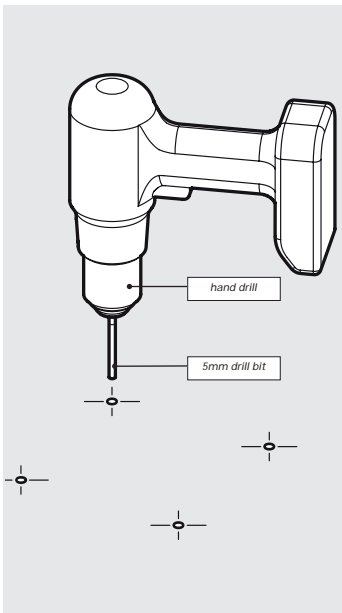
**B1** Bend back the rubber tab and use 2mm hex key to remove locking screw.



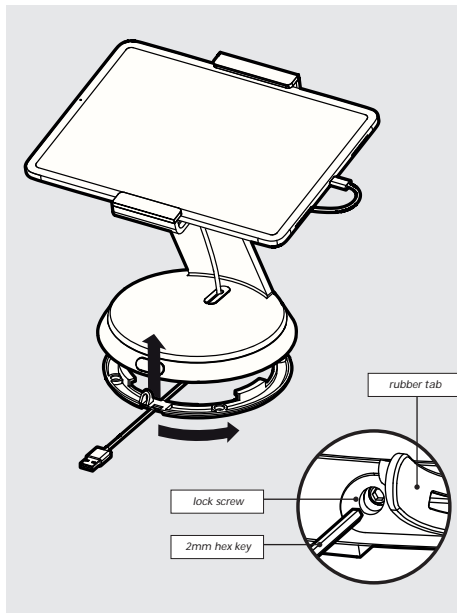
**B2** Twist mount ring anti-clockwise and pull to remove



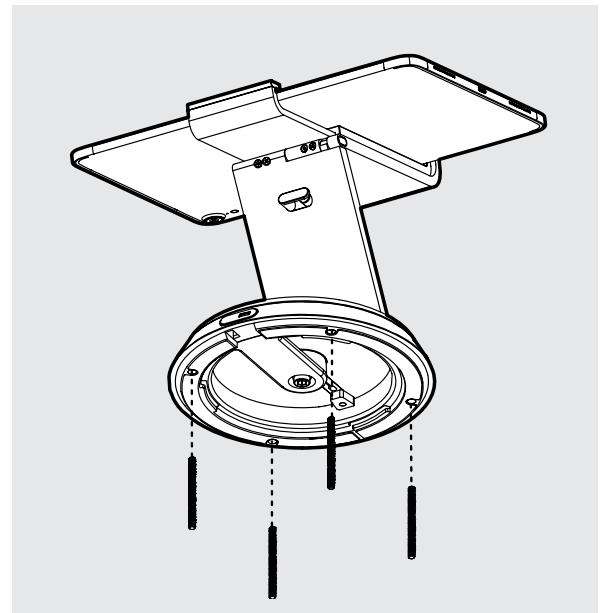
**B3** Use the holes in the mount ring to mark pilot hole positions on your surface. Ensure the cable exit is in the right direction for your installation



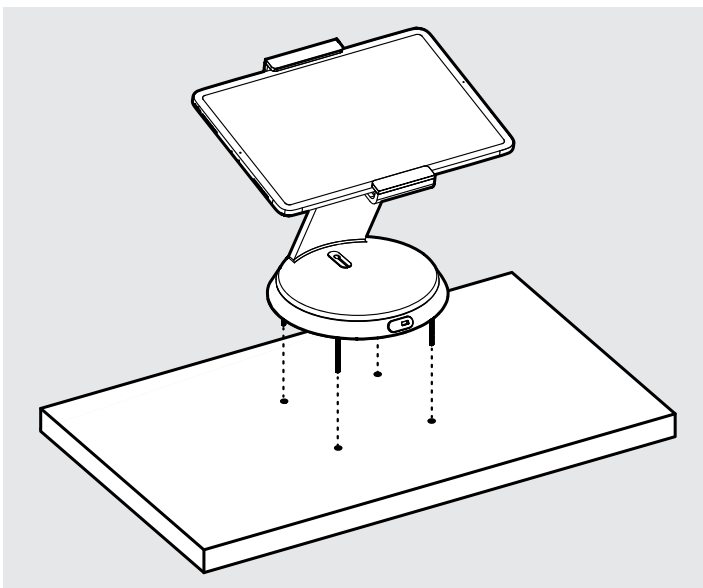
**B4** Use a hand drill with 5mm bit to make holes through your surface.



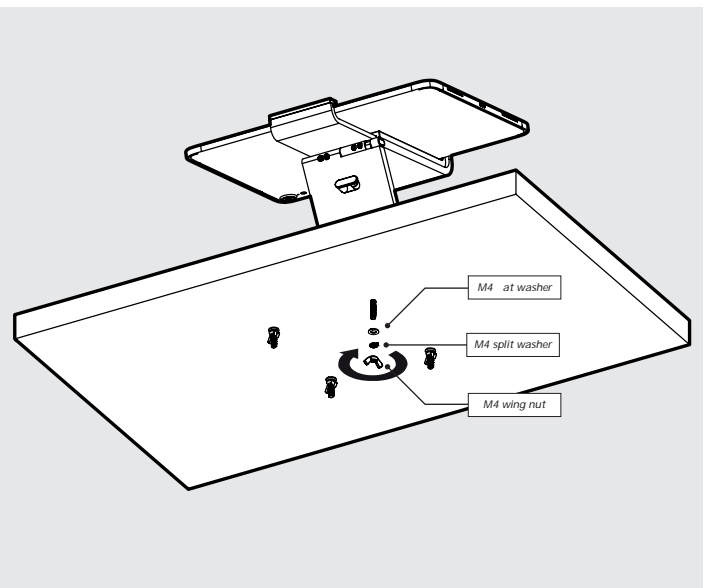
**B5** Place the mount ring back onto Eddy and turn clockwise. Re-attach lock screw with 2mm hex key.



**B6** Screw M4 x 50mm grubscrews into Eddy until nger tight.



**B7** Place Eddy onto your surface with grubscrews passing through the pre-drilled holes



**B8** Attach illustrated washers and tighten wingnuts by hand. Eddy is now securely attached to your surface.