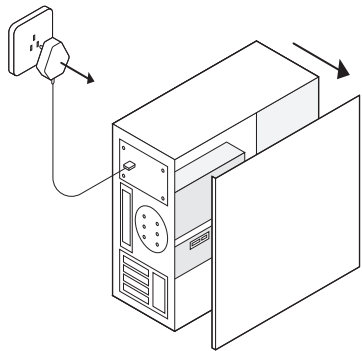


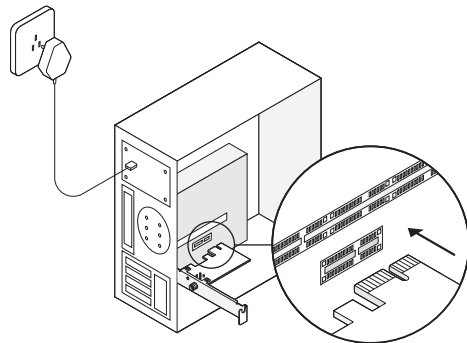
1 Connect to a Computer

a. Turn off your computer, unplug the power cable and remove the case panel.

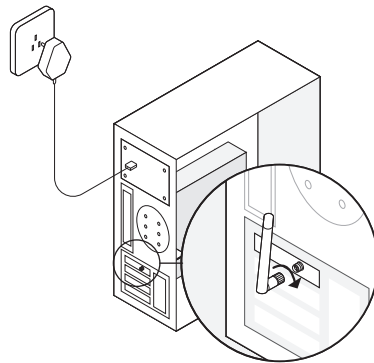


b. Locate an available PCI-E slot and carefully insert the adapter.

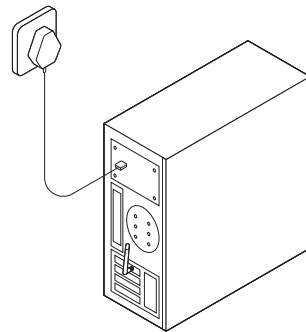
Note:
If the bracket is not suitable for your computer, detach it from the adapter's board and replace it with the low-profile bracket.



c. Connect the antenna to the adapter.



d. Replace the case panel, plug in the power cable and turn on your computer.



2 Install Driver

- a. Insert the CD and run the **Autorun.exe**.

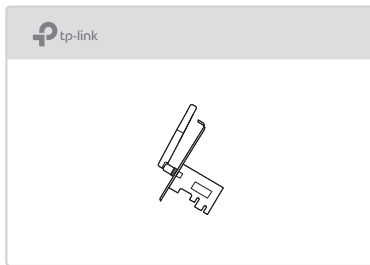
Note:

You can also download the driver and check the new release at <https://www.tp-link.com/download-center>



- b. Select your adapter and follow the instructions to complete the installation.

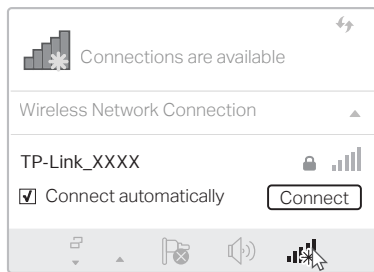
Note:

If you can't install the driver successfully, disable the antivirus software and firewall, then try again.



3 Join a Wireless Network

- a. Click the network icon ( or ) on the taskbar.
- b. Select your Wi-Fi network, click **Connect**, and enter the password when prompted.



FAQ



Q: How to find the hardware version of the adapter?

A1. The hardware version (Ver:X.Y) is printed on the product label on the package or the adapter. The number X is the hardware version of the adapter.



A2. For more detailed instructions, please visit <https://www.tp-link.com/faq-46.html>

Support

For technical support, the user guide and other information, please visit <https://www.tp-link.com/support>, or simply scan the QR code.



Safety Information

- Keep the device away from water, fire, humidity or hot environments.
- Do not attempt to disassemble, repair, or modify the device.
- Do not use damaged charger or USB cable to charge the device.
- Do not use the device where wireless devices are not allowed.

Wireless PCI Express Adapter