

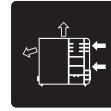
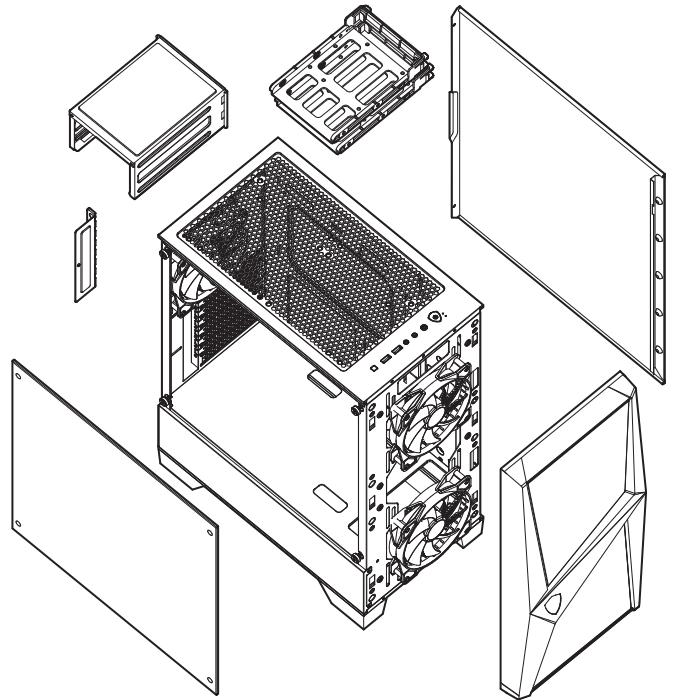


**MAG
FORGE 100M**

**MAG
FORGE 101M**

**MAG
FORGE 100R**

Case Features / 機殼特色



Optimized Air Flow
最佳風流設計



RGB Fan Included
內含RGB風扇



Tool-Less Tempered Glass
無螺絲與強化玻璃側板



Magnetic Filter
磁吸防塵網



ARGB Fan Included
內含ARGB風扇



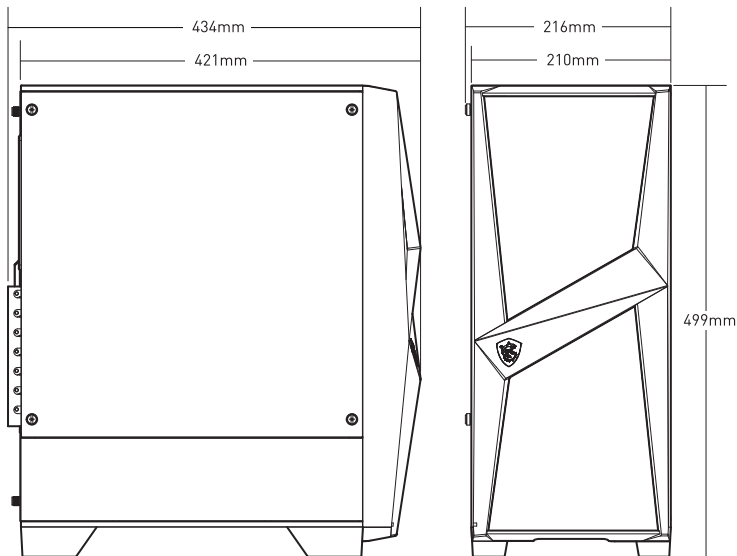
Mystic Light
支援燈效軟體



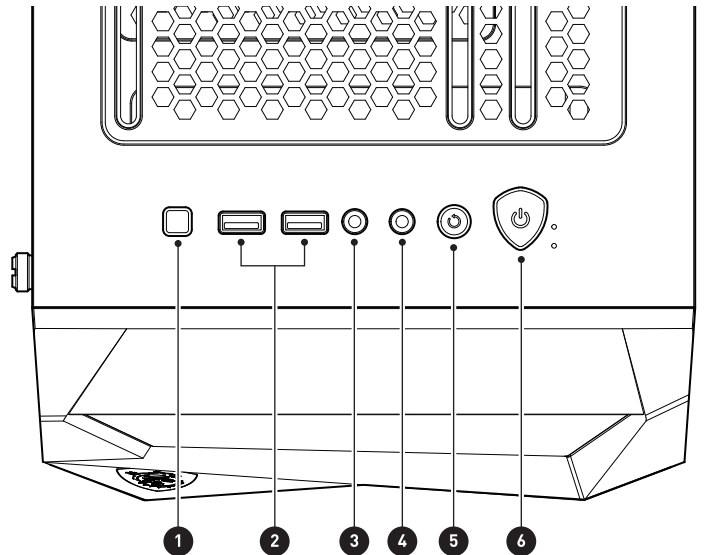
1 to 6 ARGB Control Board
1對6 ARGB 控制板

For MAG FORGE 100R only
僅 MAG FORGE 100R 支援

Side & Front View/ 側面和前面





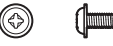




IO Panel / IO面板

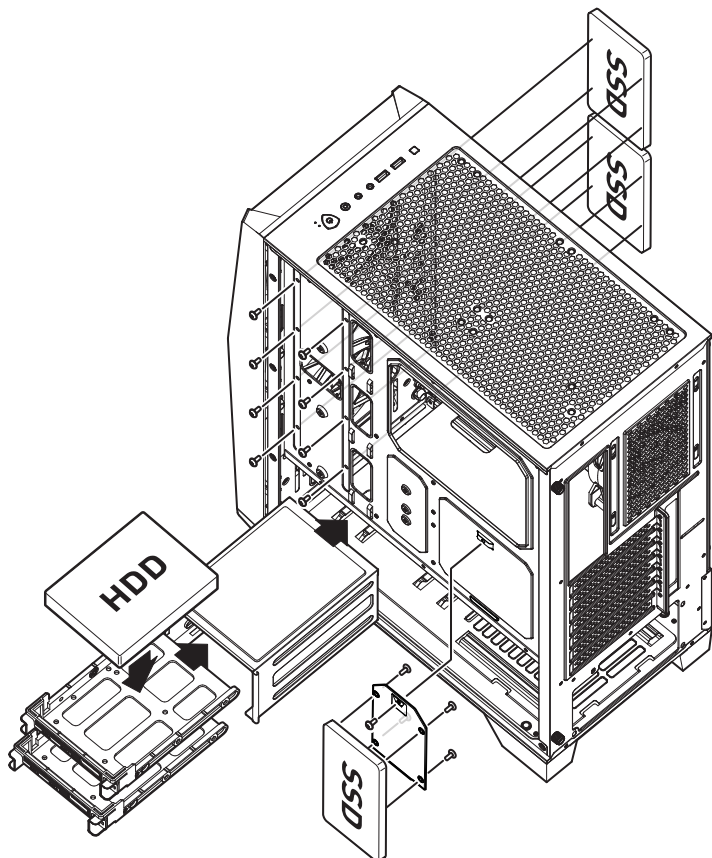


1. LED switch button / LED切換按鈕
2. USB 3.2 Gen1 Type A
3. Mic in / 音訊輸入
4. Audio out / 音訊輸出
5. Reset button / 重新開機按鈕
6. Power button / 電源按鈕

Accessories / 配件

| Item 項目 | Name 名稱 / Q'ty 數量 | Used for 用途 |
|--|----------------------------------|----------------------------------|
|  | Cable ties 束綫帶 x5 | Cable management 整線 |
|  | PCI slot cover PCI 插槽擋片 x2 | PCI slot protection 保護PCI插槽 |
|  | Screw #6-32 10mm 手轉螺絲 x2 | Securing drive tray 固定硬碟托架 |
|  | Screw #6-32 6.5mm x4 | Motherboard Stud 主機板螺柱 |
|  | Screw M3 5mm x20 | Motherboard / SSD 主機板 / SSD |
|  | Screw #6-32 6mm 六角螺絲 x6 | PSU / PCIe Card 電源供應器 / PCIe卡 |
|  | Screw #6-32 5mm 圓頭螺絲 x4 | 3.5" HDD 3.5" 硬碟 |

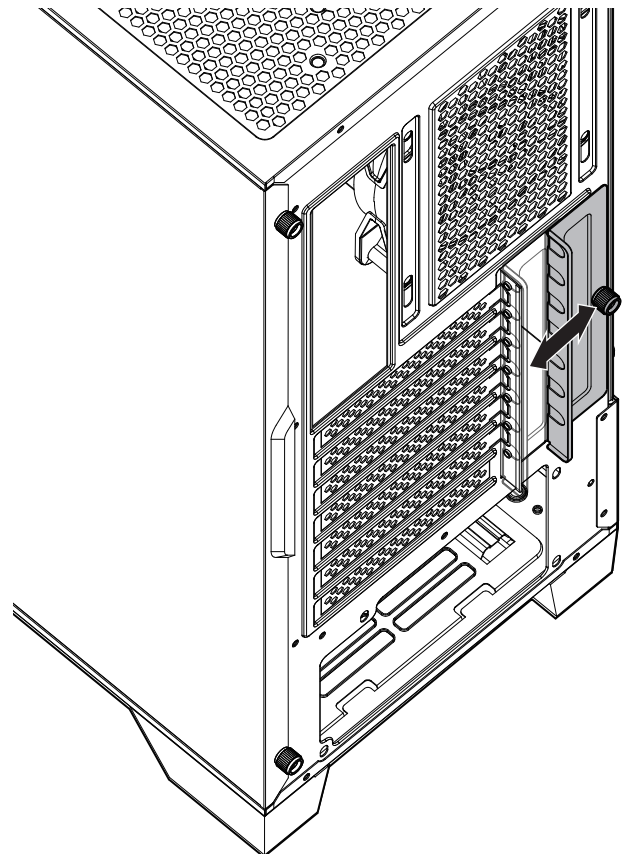
SSD & HDD Installation/ SSD和硬碟安裝方式



Specification / 產品規格

| | MAG FORGE 100M | MAG FORGE 101M | MAG FORGE 100R |
|----------------------|---|--|---|
| Fan LED Controller | 1 to 6 RGB Control Board | 1 to 6 RGB Control Board | 1 to 6 ARGB Control Board |
| Pre-installed | Front: 2x 120 mm RGB fans Rear: 1x 120 mm black fan | Front: 3x 120 mm RGB fans Rear: 1x 120 mm RGB fan | Front: 2x 120 mm ARGB fans Rear: 1x 120 mm black fan |
| Case Dimensions (mm) | 434(D) x 216(W) x 499(H) | | |
| Motherboard Support | ATX / Micro-ATX / Mini-ITX | | |
| Drive Bays | 2x 3.5" Included (Max 2, compatible with 2.5") 3x 2.5" Included (Max 3) | | |
| IO Panel | 1x LED switch button 2x USB 3.2 Gen1 Type A ports 1x Mic in jack 1x Audio out jack 1x Reset button 1x Power button | | |
| Clearance | CPU Cooler High: max 166 mm Graphics Card Length: max 330 mm PSU Length: Standard ATX 160 mm, max to 200 mm (without 3.5" HDD case installed) | | |
| Fan Support | Front: Up to 3x 120 mm or 2x 140 mm Top: Up to 2x 120 mm or 2x 140 mm Rear: Up to 1x 120 mm | | |
| Radiator Support | Front: Up to 240 mm Top: Up to 240 mm Rear: Up to 120mm | | |
| Material | Left Side: Tempered Glass Right Side: Metal Front: Mesh Top: Metal | | |

PCIe Card Installation/ PCIe卡安裝方式



Specifications are subject to change without notice.
規格若有變更，恕不另行通知。