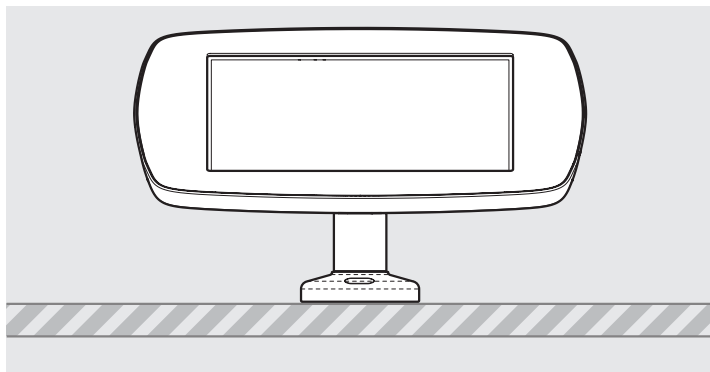


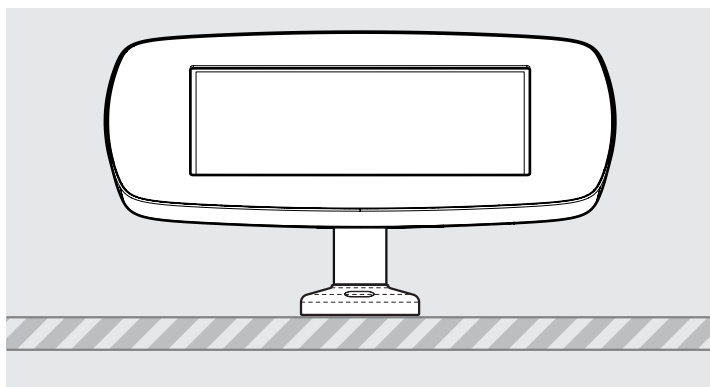
Mini Case supported devices:

- iPad Mini 1
- iPad Mini 2
- iPad Mini 3
- iPad Mini 4
- iPad Mini (2019)



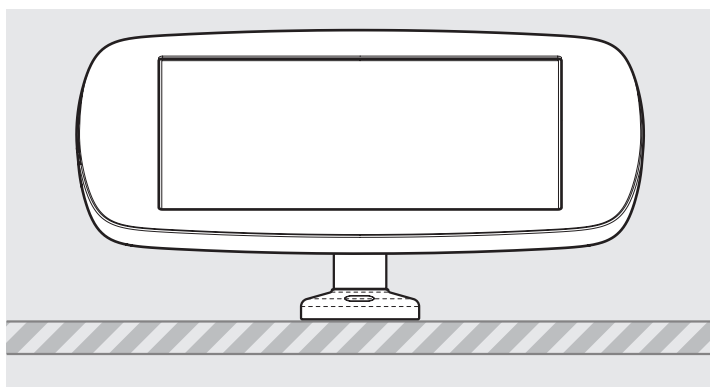
Midi Case supported devices:

- iPad 6th Gen
- iPad 5th Gen
- iPad 4th Gen
- iPad 3rd Gen
- iPad Pro 9.7
- iPad Air 1
- iPad Air 2
- Samsung Tab S2 9.7
- Samsung Tab S3 9.7
- Samsung Tab A 9.7



Maxi Case supported devices:

- iPad Pro 10.5
- iPad Pro 11.0
- iPad Air (2019)
- Samsung Tab A6 10.1
- Samsung Tab A 10.1
- Samsung Tab A 10.5
- Samsung Tab 4 10.1
- Microsoft Surface Go



Mega Case supported devices:

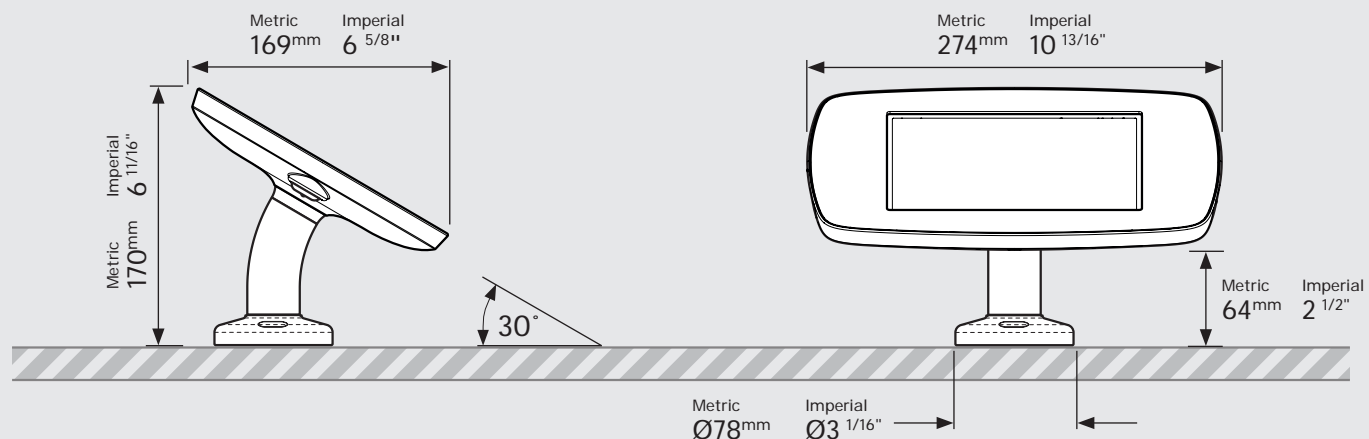
- iPad Pro 12.9" 1st Gen
- iPad Pro 12.9" 2nd Gen
- iPad Pro 12.9" 3rd Gen
- Microsoft Surface Pro 4
- Microsoft Surface Pro 5

PRODUCT DATA SHEET - BOUNCEPAD SWIVEL DESK

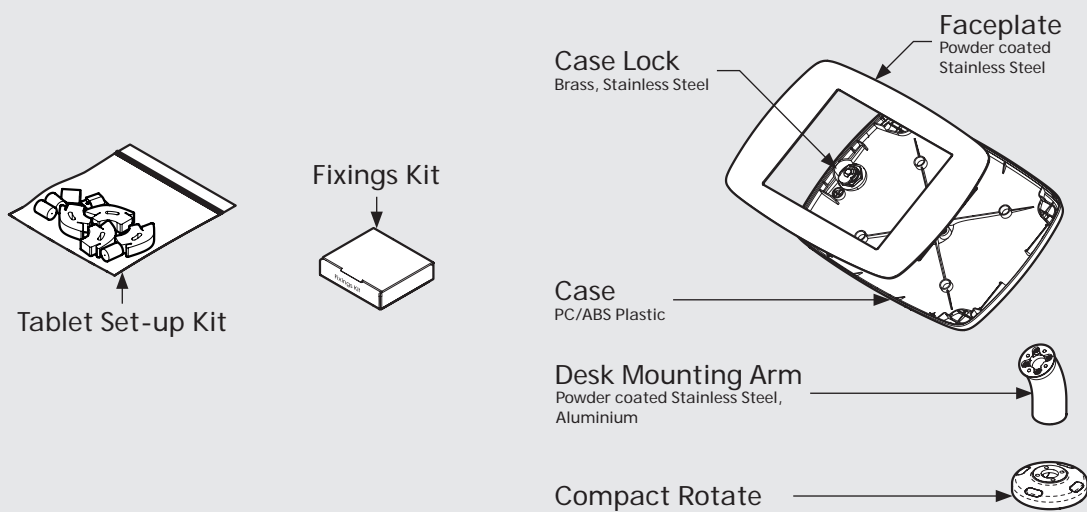
bouncepad[®]

Case: Mini Arm: Desk Mounting: Freestanding Base Packaged weight: 3.6kg Colour: White/Black

Dimensions



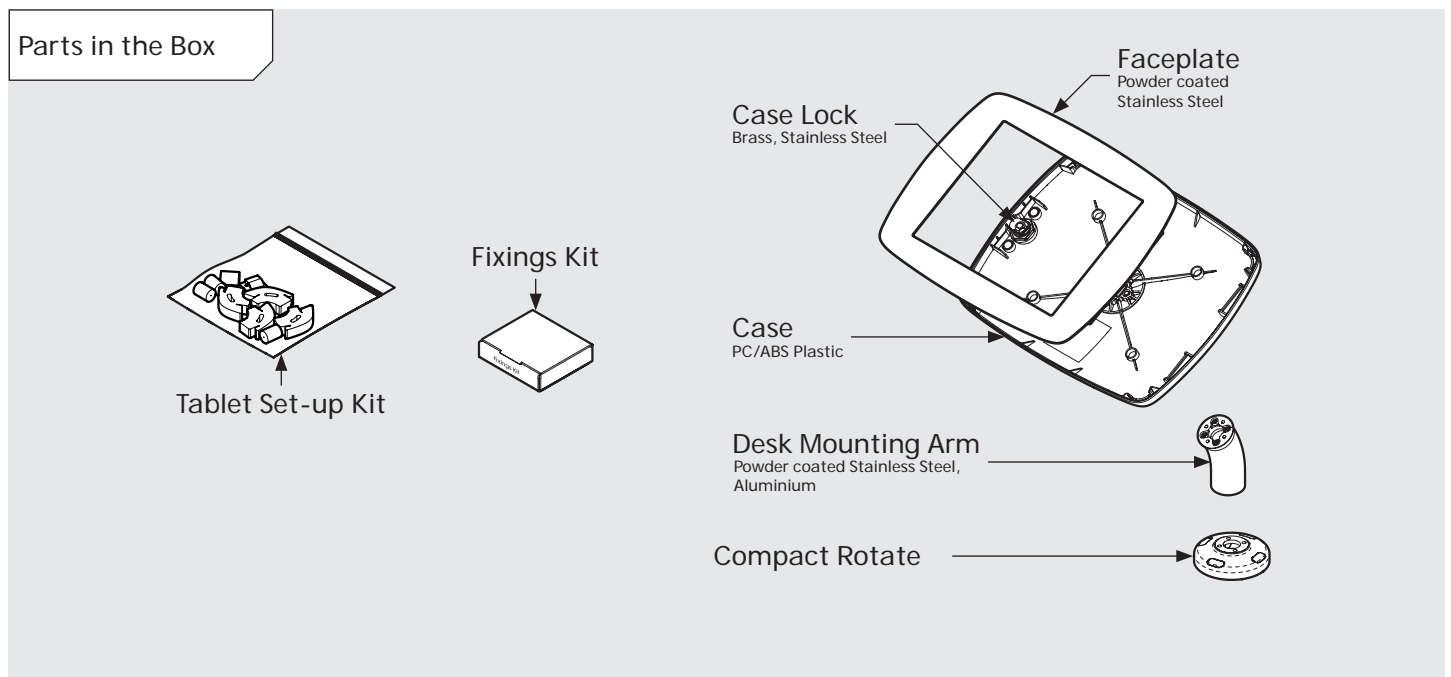
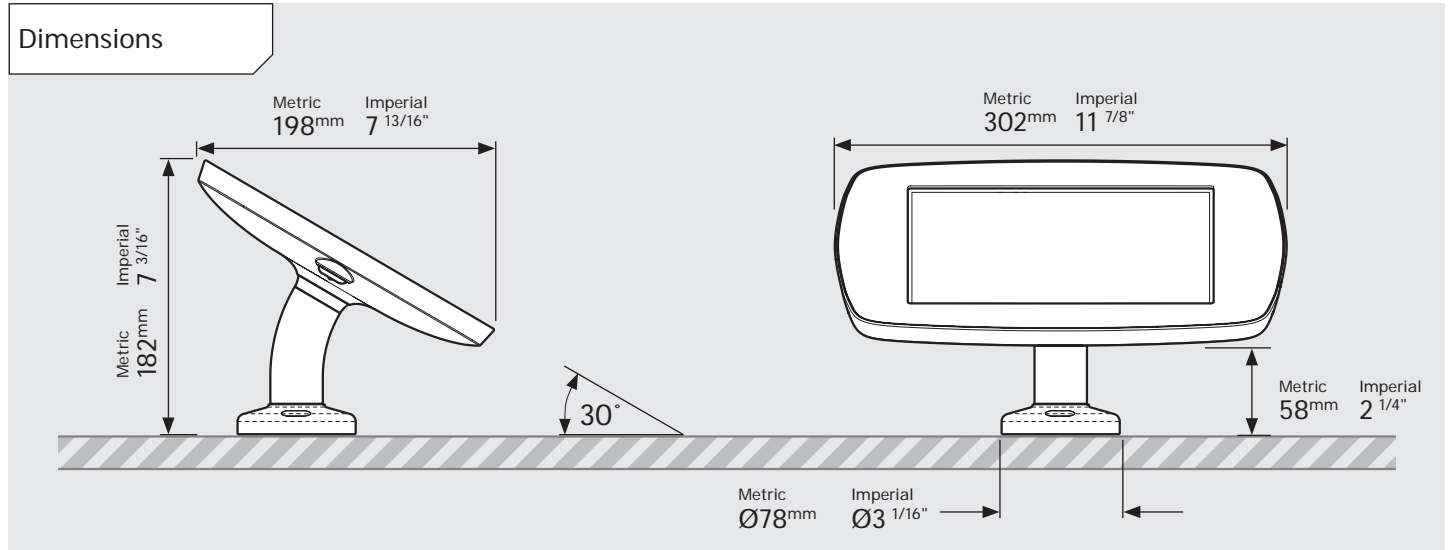
Parts in the Box



PRODUCT DATA SHEET - BOUNCEPAD SWIVEL DESK

bouncepad[®]

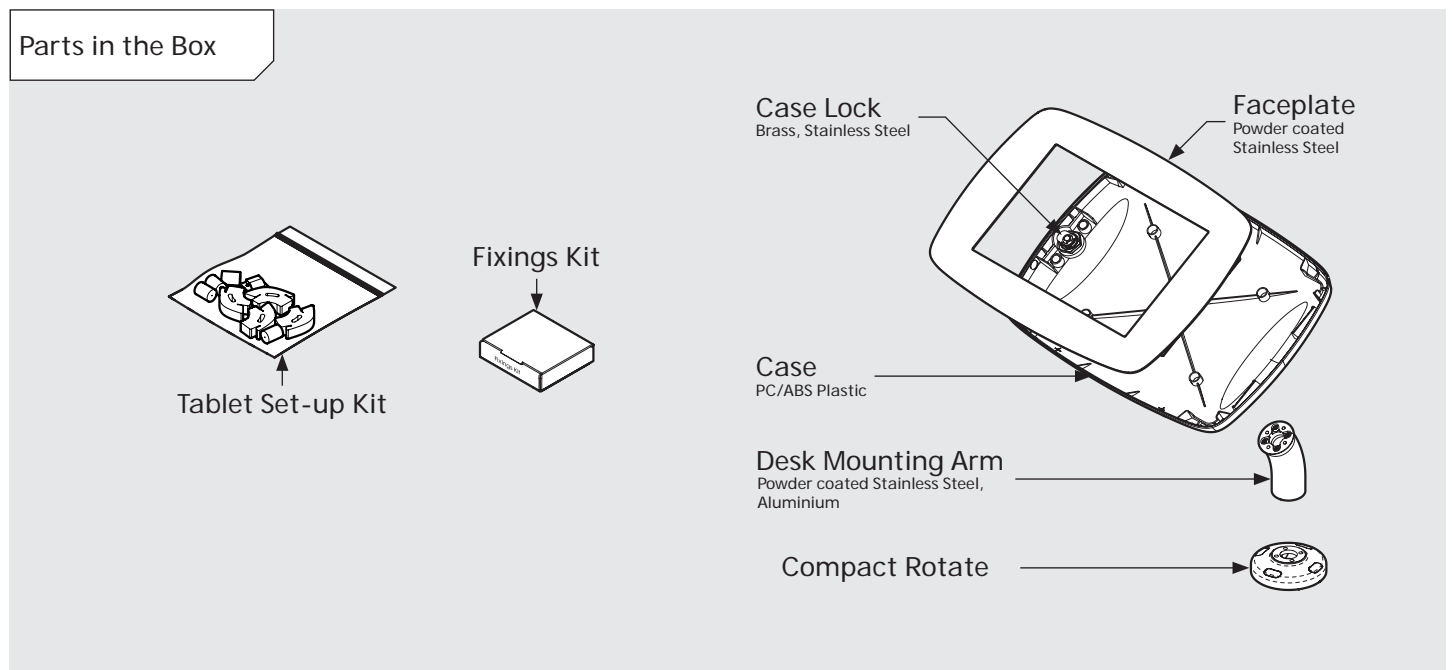
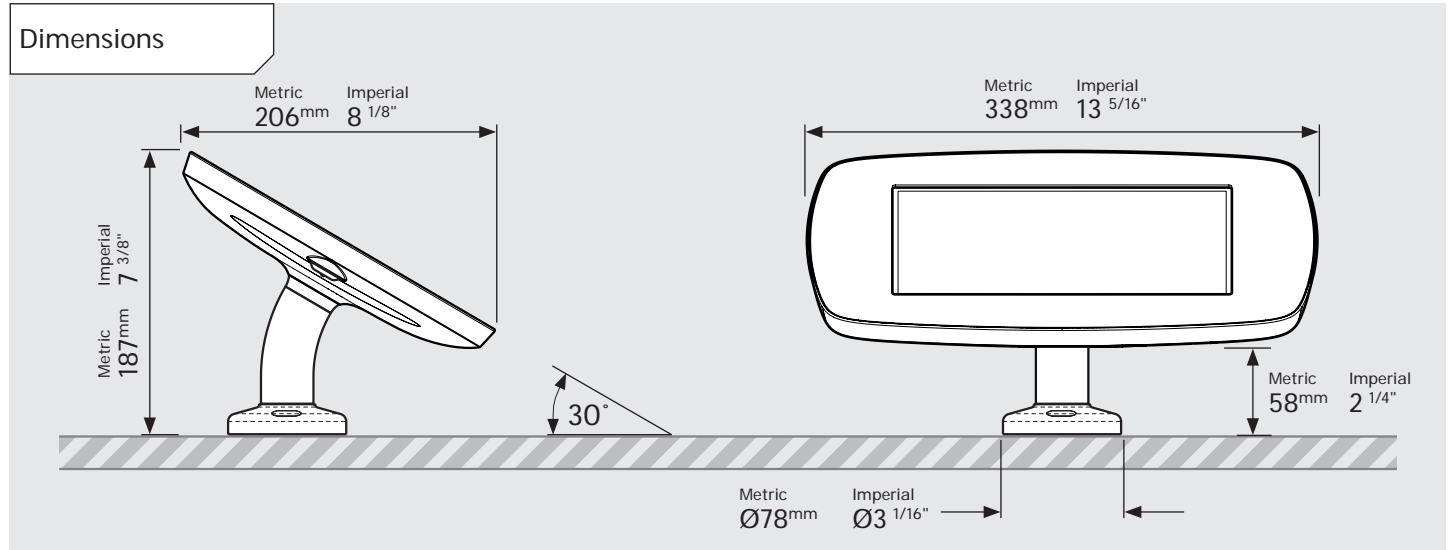
Case: Midi **Arm:** Desk **Mounting:** Freestanding Base **Packaged weight:** 3.8kg **Colour:** White
Black



PRODUCT DATA SHEET - BOUNCEPAD SWIVEL DESK

bouncepad[®]

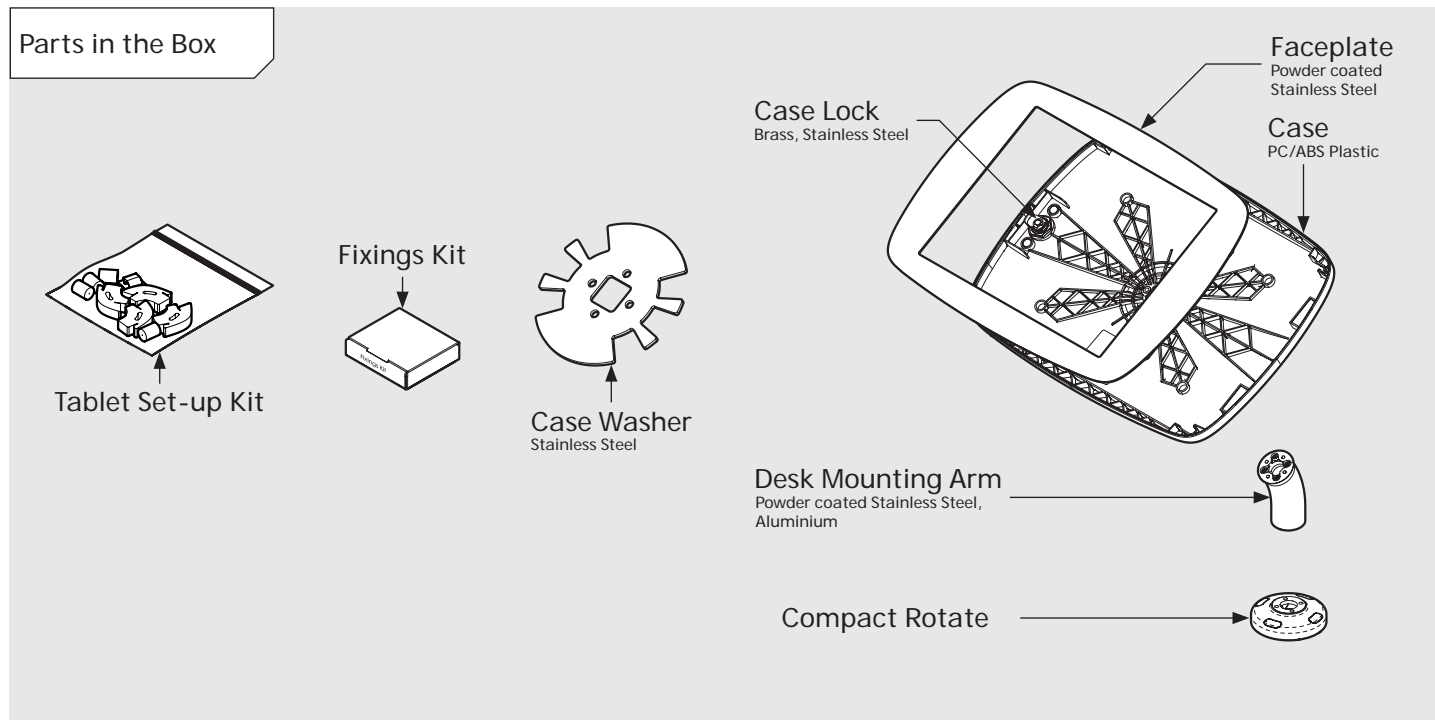
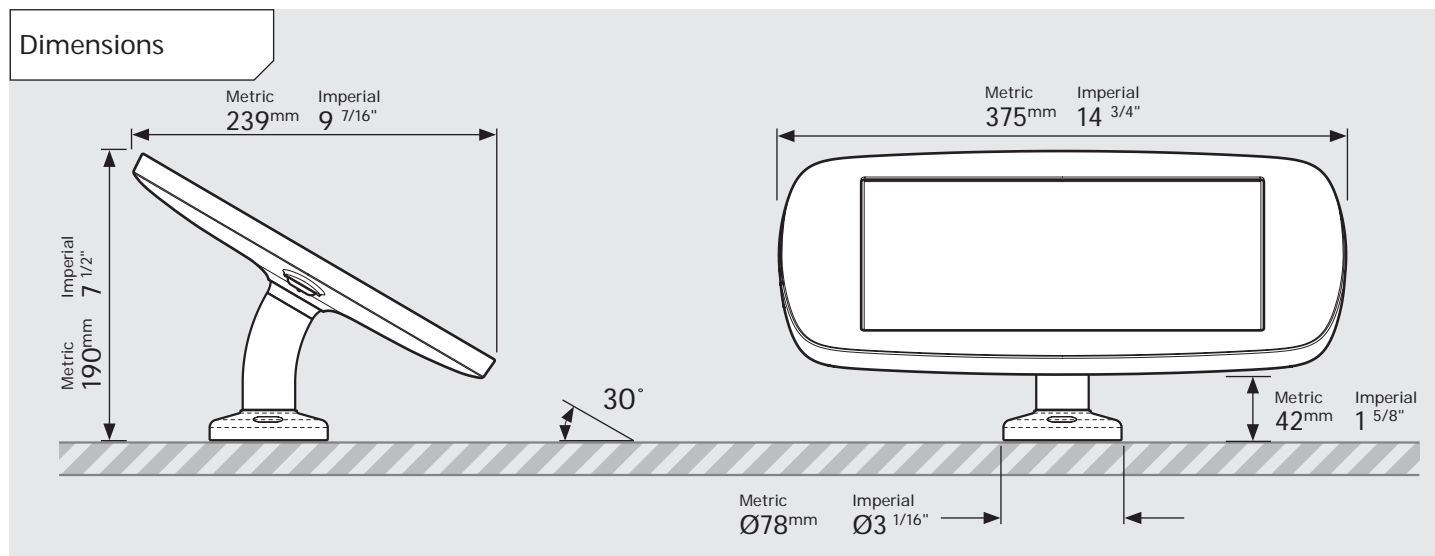
Case: Maxi **Arm:** Desk **Mounting:** Freestanding Base **Packaged weight:** 4.0kg **Colour:** White / Black



PRODUCT DATA SHEET - BOUNCEPAD SWIVEL DESK

bouncepad[®]

Case: Mega Arm: Desk Mounting: Freestanding Base Packaged weight: 4.3kg Colour: White/Black



PRODUCT DATA SHEET - COMPACT ROTATE

bouncepad®

Compatible Mounting Arms:

Desk
Static60

Mounting:

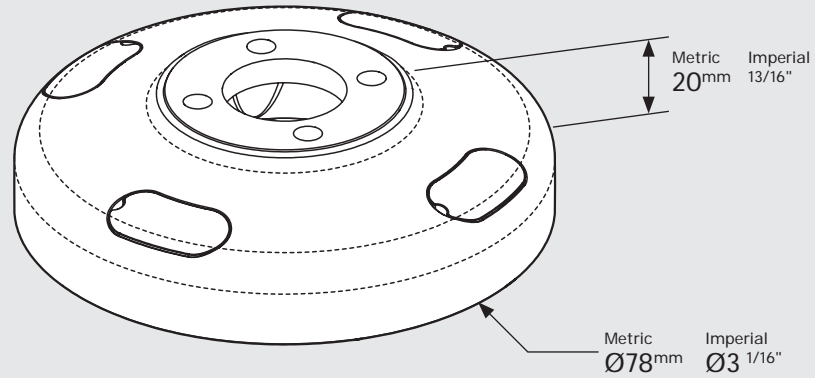
Fixing from
below

Fixing from
Above

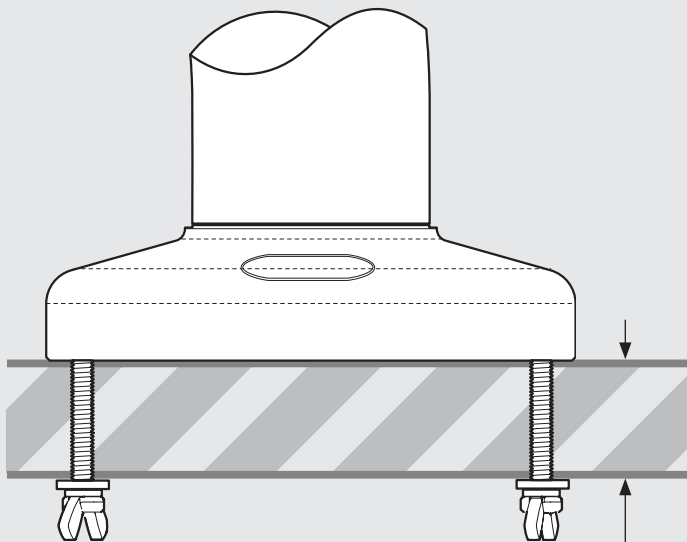
Colour:

Silver Only

Compact Rotate Dimensions

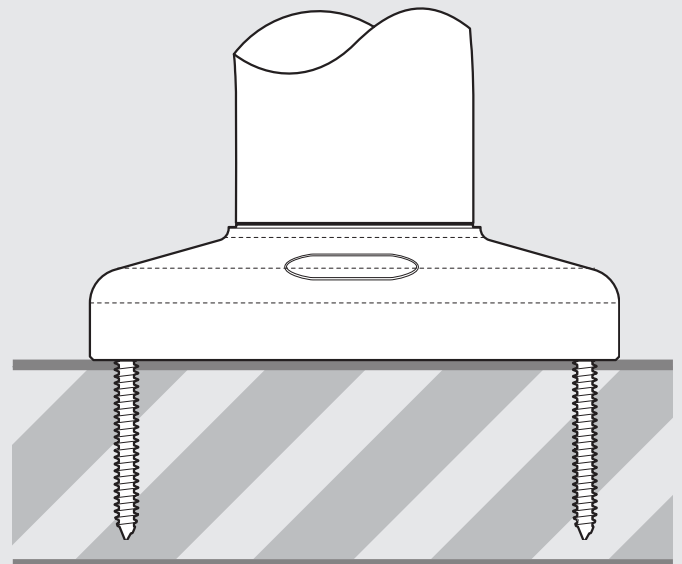


Fixing from Below



Maximum Mounting surface thickness : Metric 25mm, Imperial 1"

Fixing from Above



Minimum Mounting surface thickness : Metric 34mm, Imperial 1 5/16"