

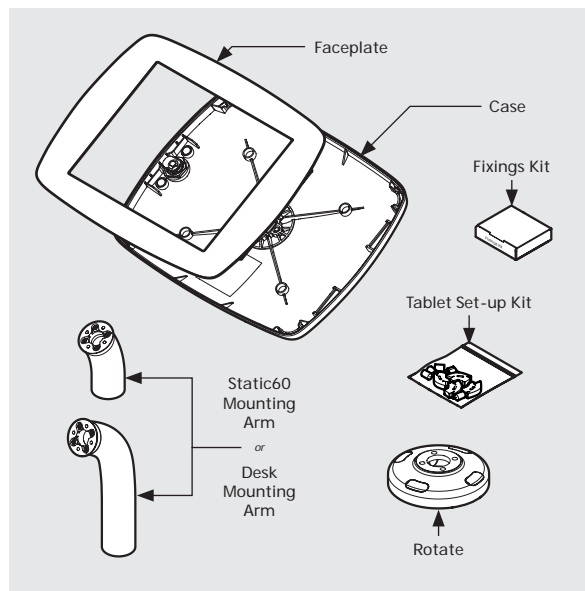
## Swivel Desk/S60

### Assembly Instructions

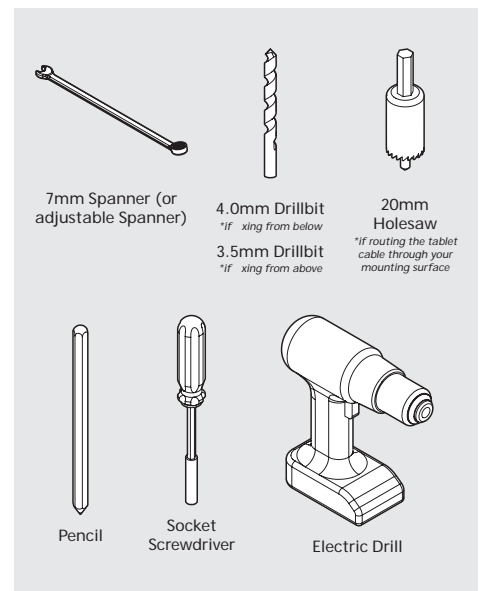
Follow these instructions for the successful assembly your Bouncepad Swivel Desk/S60.

Sheet Code: BP-OR-IM-022\_REV2  
Release Date: 24/07/2019

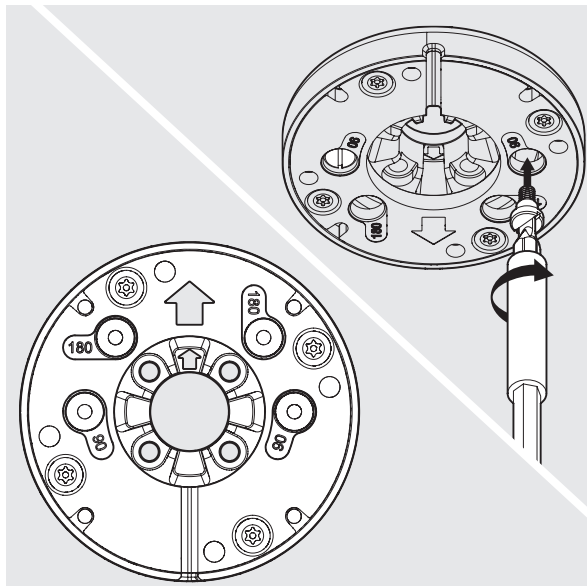
Copyright 2016 Spotspot Ltd. (T/A Bouncepad) all rights reserved. Confidential, no part of this publication may be reproduced or transmitted in any form without the written permission of the copyright holder.



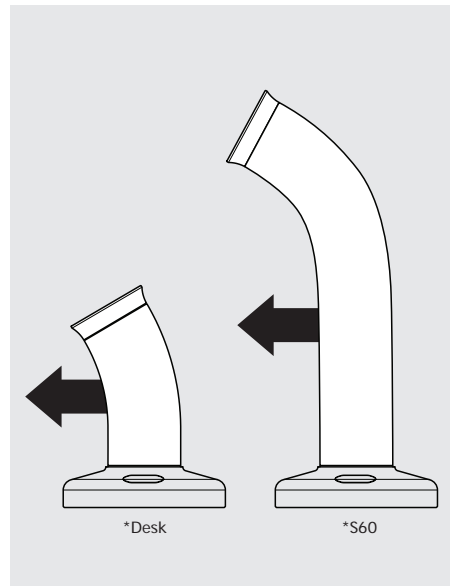
**0** In the box



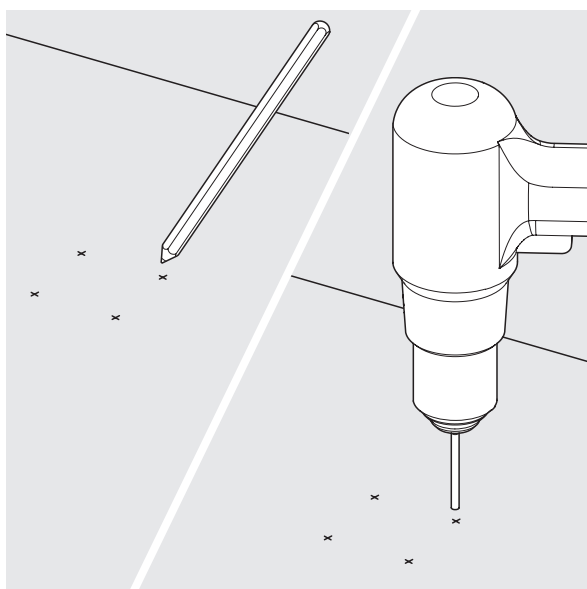
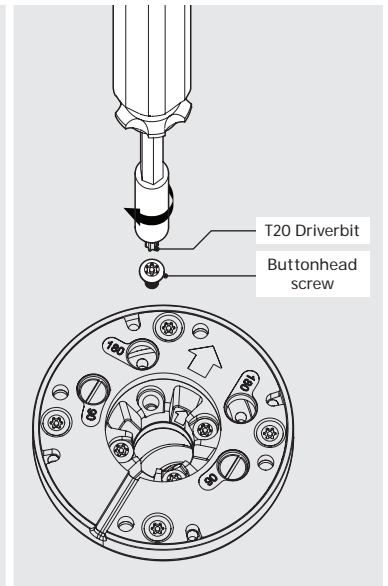
**0** Tools Required



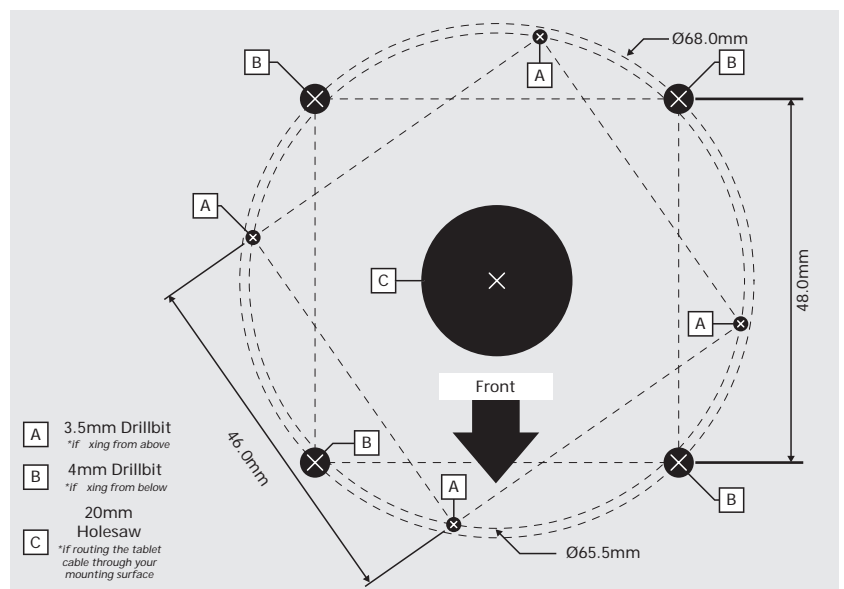
**#1** Configure the angle of rotation - ensuring both arrows are pointing in the same direction before starting. Default angle configuration is 270°. Insert the limit screws for 90° or 180° rotation.



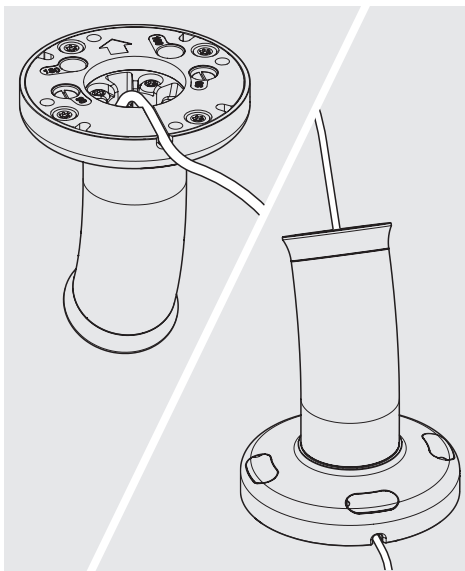
**#2** Attach your chosen mounting arm. Your mounting arm must forward lean in the same direction as the two arrows. Tighten by hand, ensuring full and correct engagement.



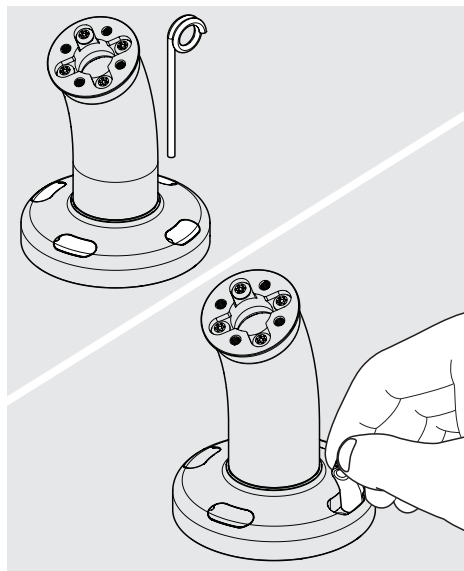
**#3** Using the template (see A4) mark and drill the mounting holes appropriate to your mounting surface and cable routing configuration.



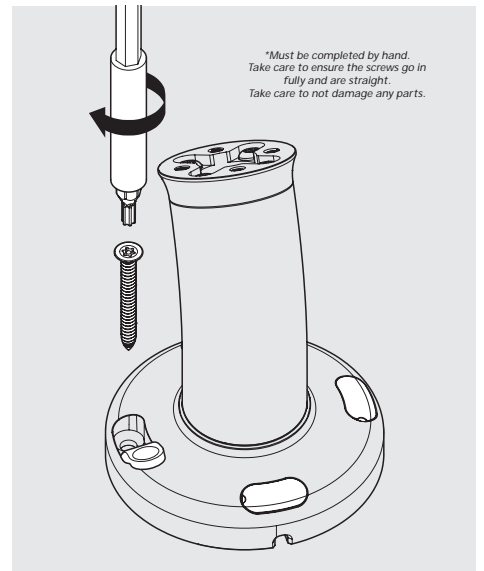
**#4** Use the above template to mark the drill holes - appropriate to your chosen xing method. 'A' if xing from above. 'B' if xing from below. Follow the corresponding steps (PTO) specific to each xing method.



**#5** If routing your tablet cable atop the mounting surface, feed it through the Mounting Arm as shown.

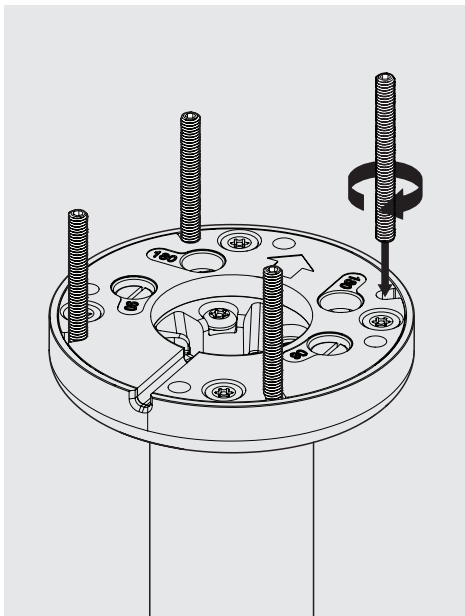


**A1** Fixing From Above:  
Lift & hold the rubber screw covers.  
Use caution to not scratch the parts.

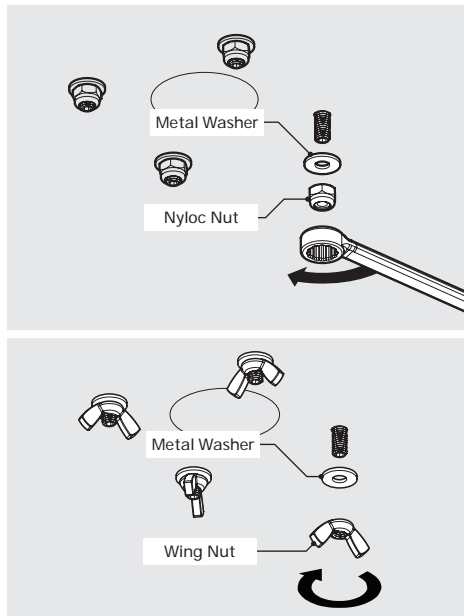


**A2** Fixing From Above:  
Secure the base with the 4x screws.  
Close the screw covers once finished.

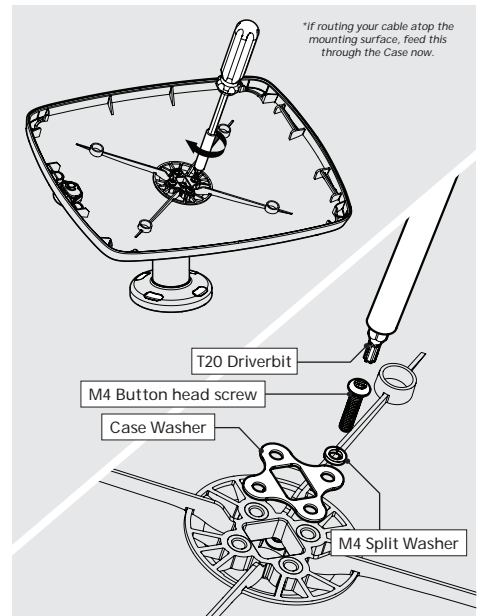
*\*Must be completed by hand. Take care to ensure the screws go in fully and are straight. Take care to not damage any parts.*



**B1** Fixing From Below:  
Screw in the 4x Socket Set Screws.  
Ensure full thread engagement.

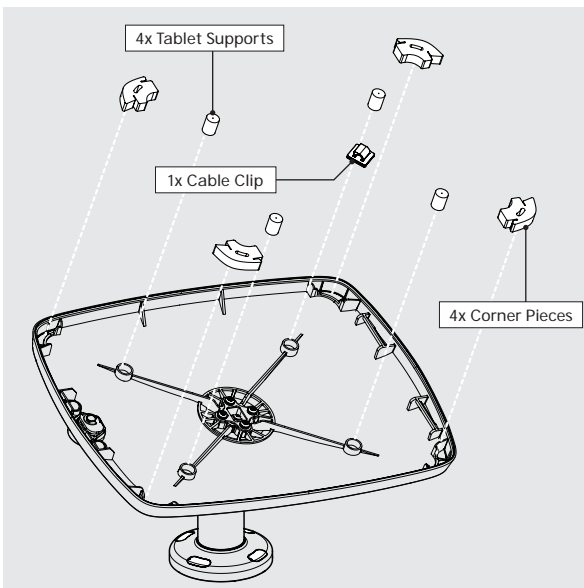


**B2** Secure to the surface. Nylocs provide higher security whilst Wing Nuts allow for easier removal.

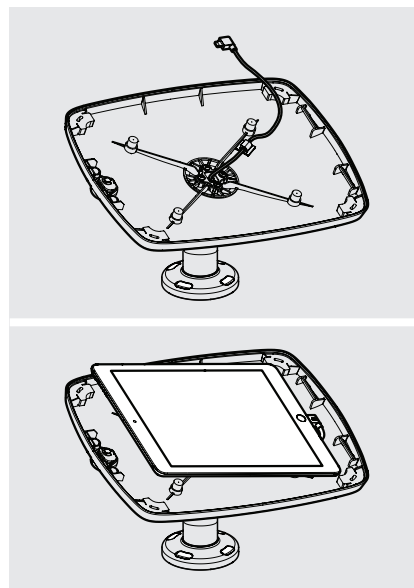


**#6** Installation of the mounting arm is complete. Now install your Case as shown above.

*\*If routing your cable atop the mounting surface, feed this through the Case now.*



**#7** Install the Tablet Setup Kit. Each kit is specific per tablet device and Bouncepad Case.



**#8** Route your tablet cable through the Case. Install the tablet into the Case and connect to power.



**#9** Locate and lock the Faceplate to the Case.