

Swivel Desk/S60

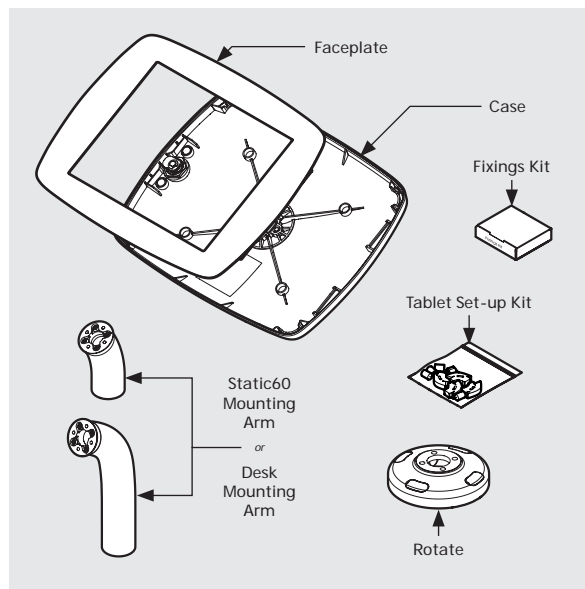
Assembly Instructions

Follow these instructions for the successful assembly your Bouncepad Swivel Desk/S60.

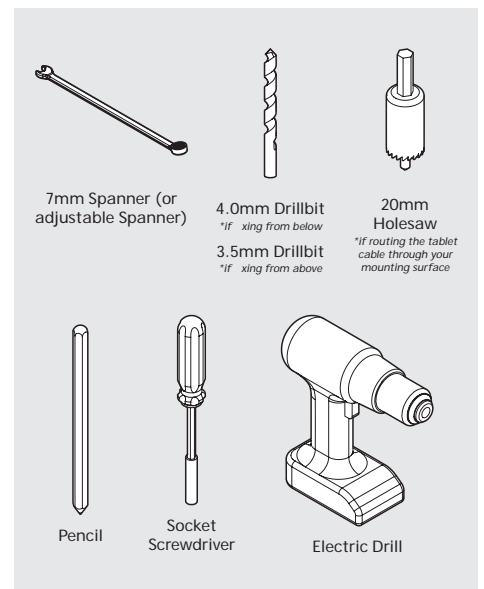
Sheet Code: BP-OR-IM-022_REV2

Release Date: 24/07/2019

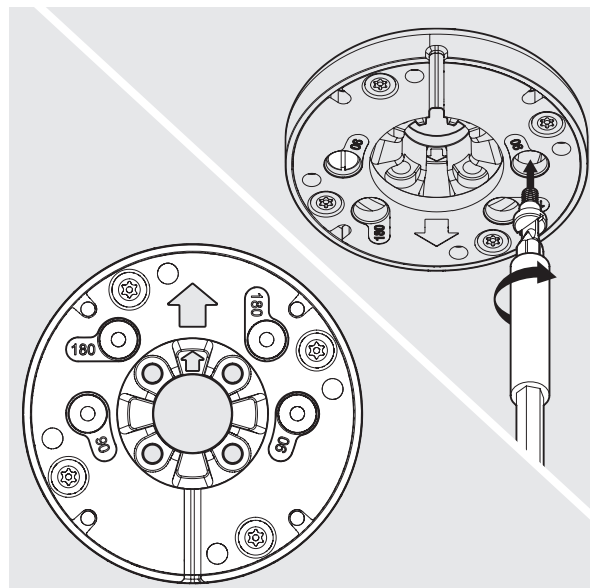
Copyright 2016 Spotspot Ltd. (T/A Bouncepad) all rights reserved. Confidential, no part of this publication may be reproduced or transmitted in any form without the written permission of the copyright holder.



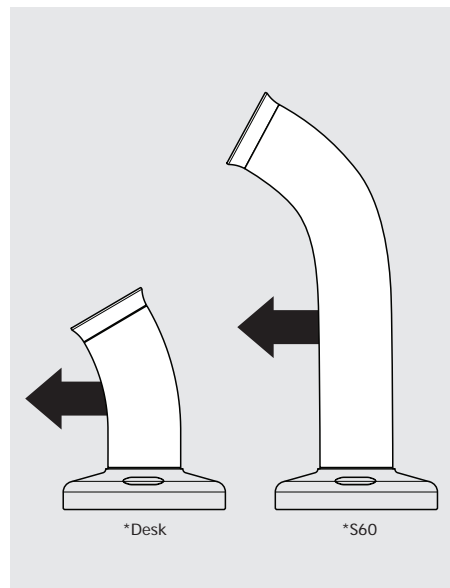
0 In the box



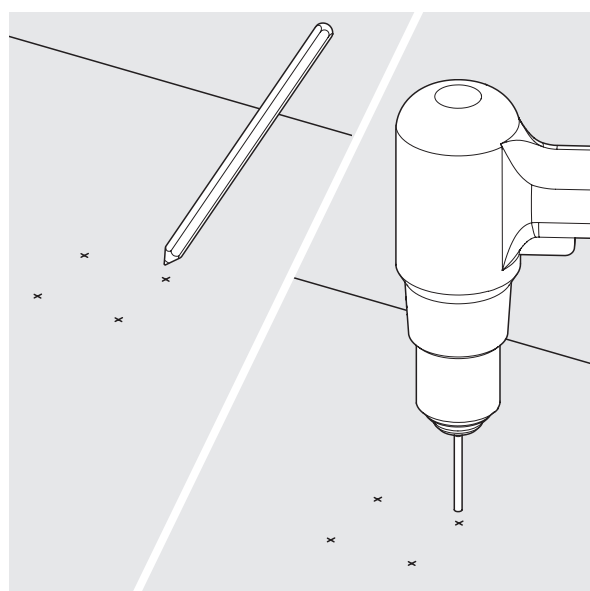
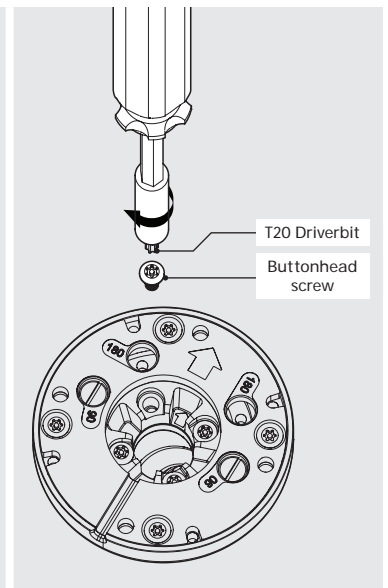
0 Tools Required



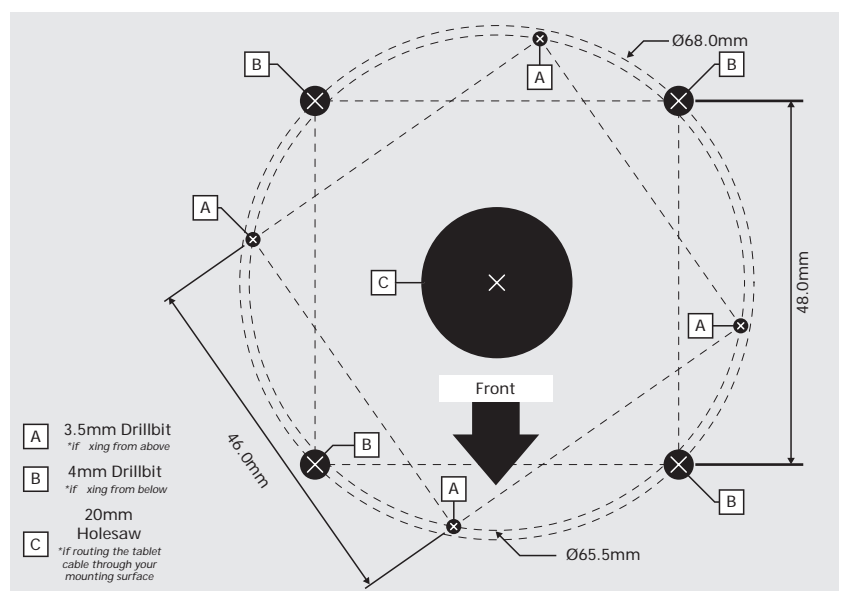
#1 Configure the angle of rotation - ensuring both arrows are pointing in the same direction before starting. Default angle configuration is 270°. Insert the limit screws for 90° or 180° rotation.



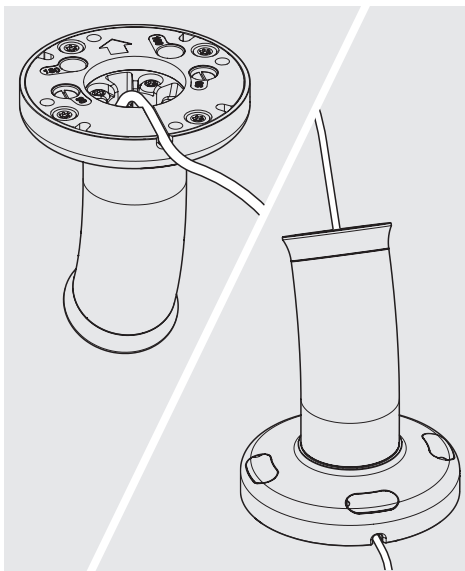
#2 Attach your chosen mounting arm. Your mounting arm must forward lean in the same direction as the two arrows. Tighten by hand, ensuring full and correct engagement.



#3 Using the template (see A4) mark and drill the mounting holes appropriate to your mounting surface and cable routing configuration.

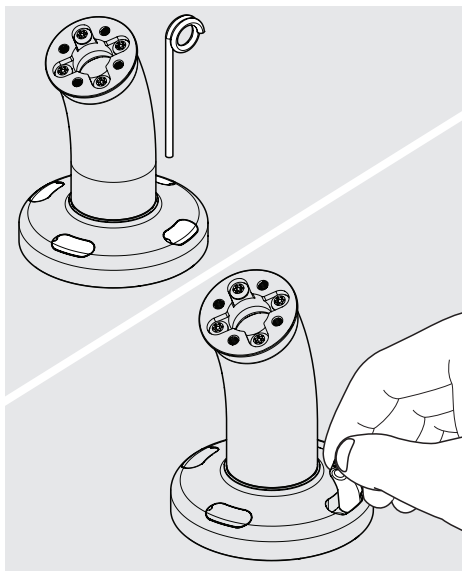


#4 Use the above template to mark the drill holes - appropriate to your chosen xing method. 'A' if xing from above. 'B' if xing from below. Follow the corresponding steps (PTO) specific to each xing method.



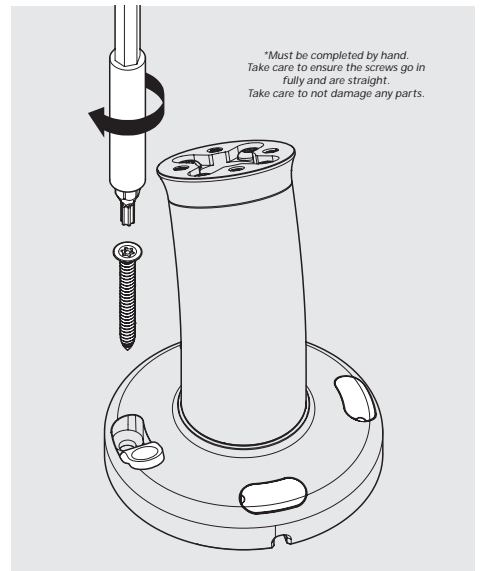
#5

If routing your tablet cable atop the mounting surface, feed it through the Mounting Arm as shown.



A1

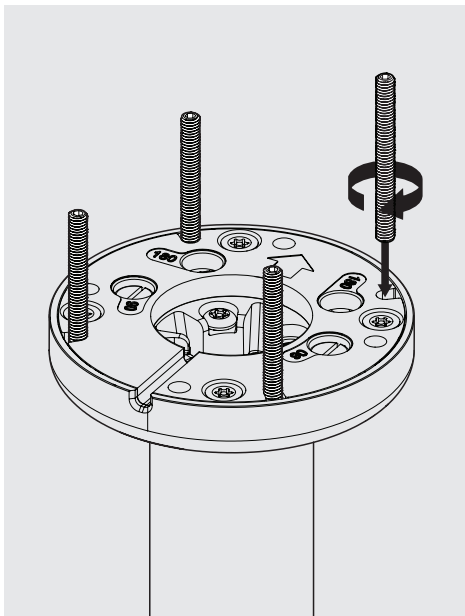
Fixing From Above:
Lift & hold the rubber screw covers.
Use caution to not scratch the parts.



A2

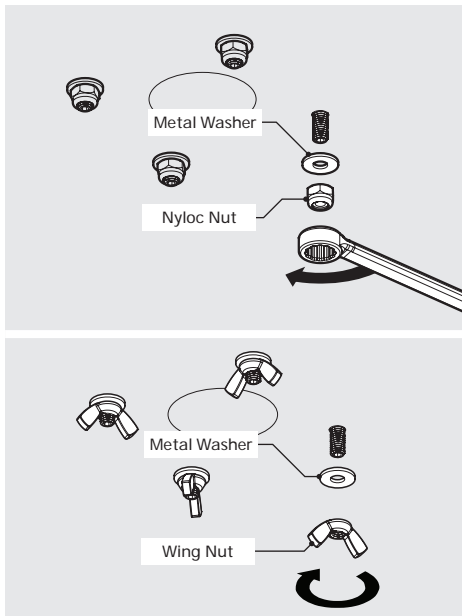
Fixing From Above:
Secure the base with the 4x screws.
Close the screw covers once finished.

**Must be completed by hand.
Take care to ensure the screws go in
fully and are straight.
Take care to not damage any parts.*



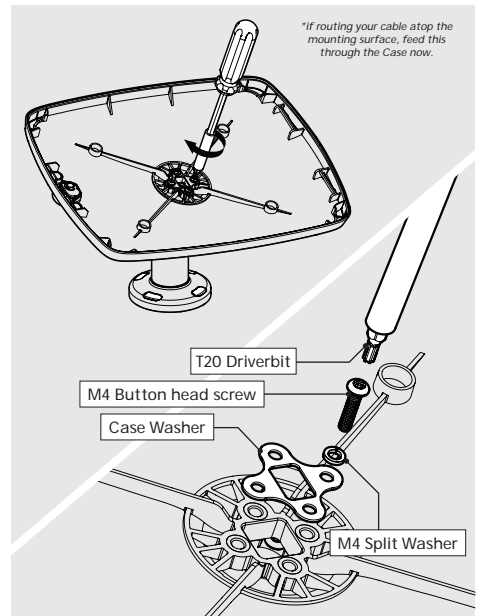
B1

Fixing From Below:
Screw in the 4x Socket Set Screws.
Ensure full thread engagement.



B2

Secure to the surface. Nylocs provide
higher security whilst Wing Nuts
allow for easier removal.

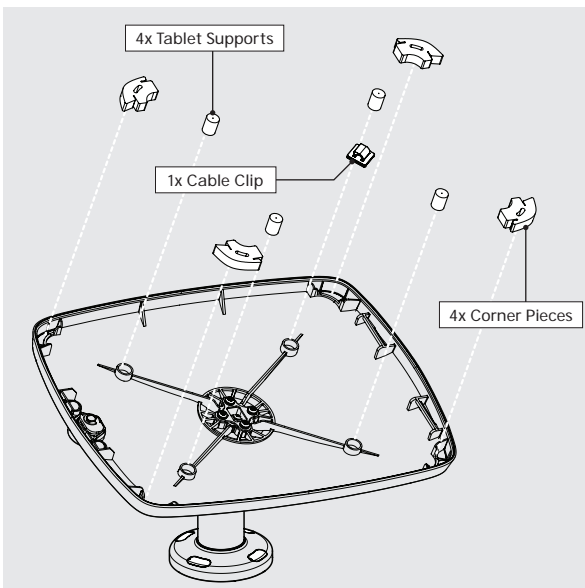


#6

Installation of the mounting arm is
complete. Now install your Case as
shown above.

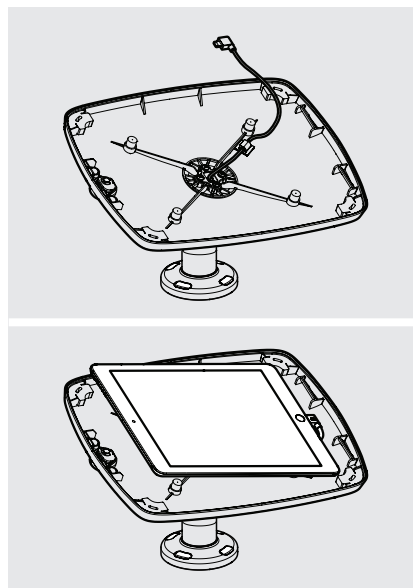
**If routing your cable atop the
mounting surface, feed this
through the Case now.*

T20 Driverbit
M4 Button head screw
Case Washer
M4 Split Washer



#7

Install the Tablet Setup Kit. Each kit is speci c per
tablet device and Bouncepad Case.



#8

Route your tablet cable through
the Case. Install the tablet into
the Case and connect to power.



#9

Locate and lock the Faceplate
to the Case.