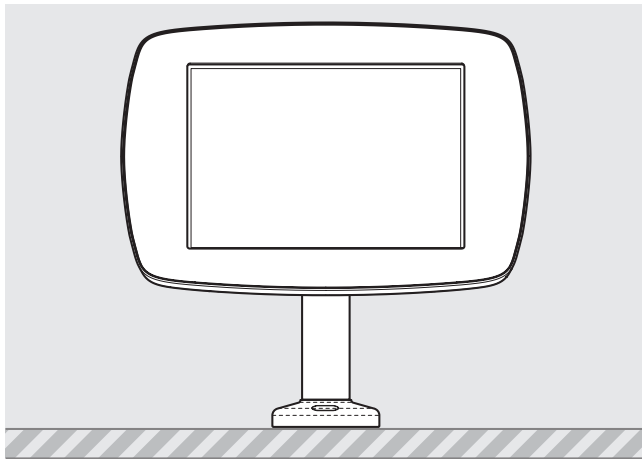


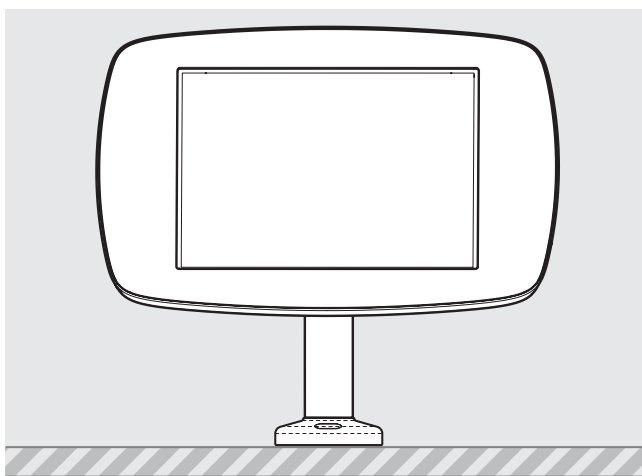
Mini Case supported devices:

- iPad Mini 1
- iPad Mini 2
- iPad Mini 3
- iPad Mini 4
- iPad Mini (2019)



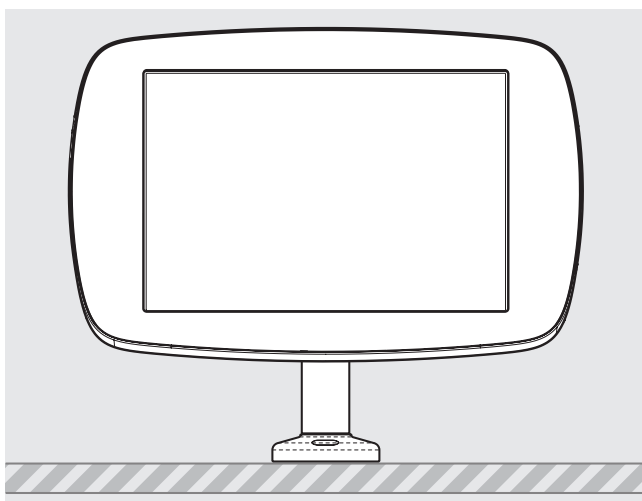
Midi Case supported devices:

- iPad 6th Gen
- iPad 5th Gen
- iPad 4th Gen
- iPad 3rd Gen
- iPad Pro 9.7
- iPad Air 1
- iPad Air 2
- Samsung Tab S2 9.7
- Samsung Tab S3 9.7
- Samsung Tab A 9.7



Maxi Case supported devices:

- iPad Pro 10.5
- iPad Pro 11.0
- iPad Air (2019)
- Samsung Tab A6 10.1
- Samsung Tab A 10.1
- Samsung Tab A 10.5
- Samsung Tab 4 10.1
- Microsoft Surface Go



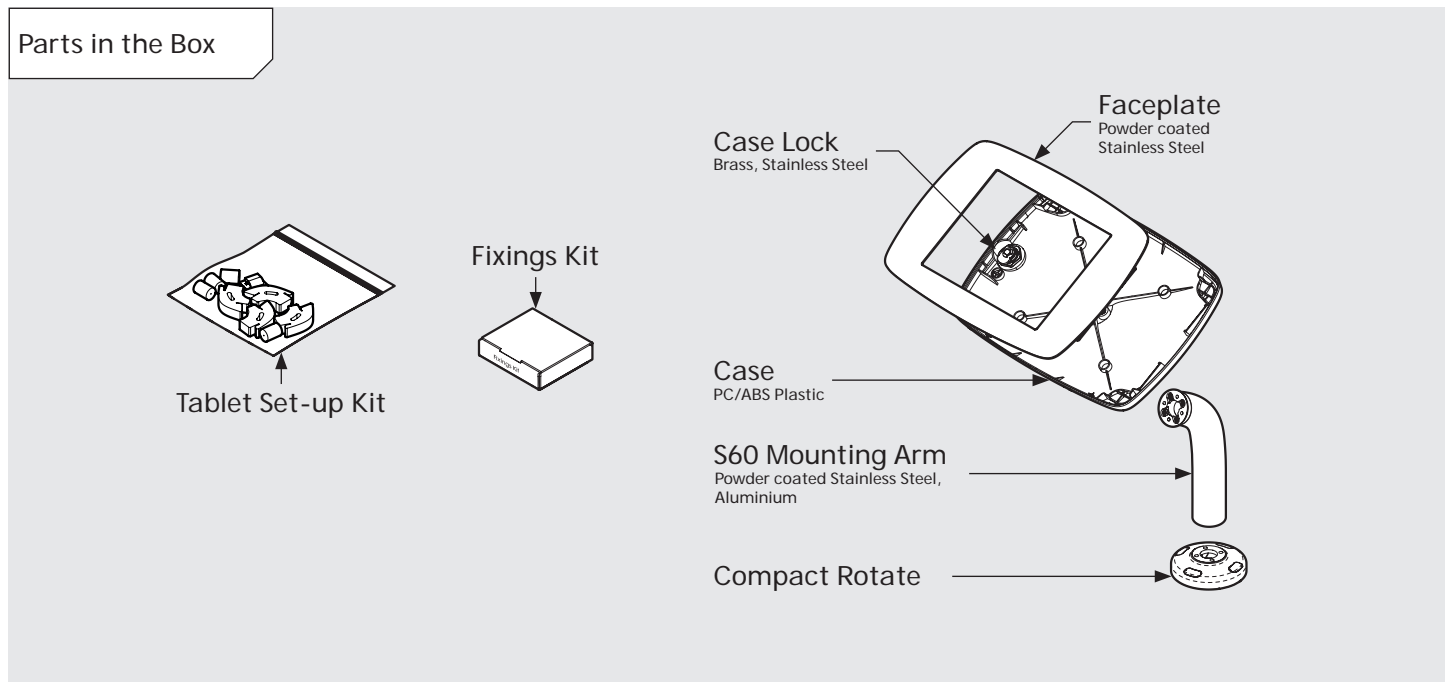
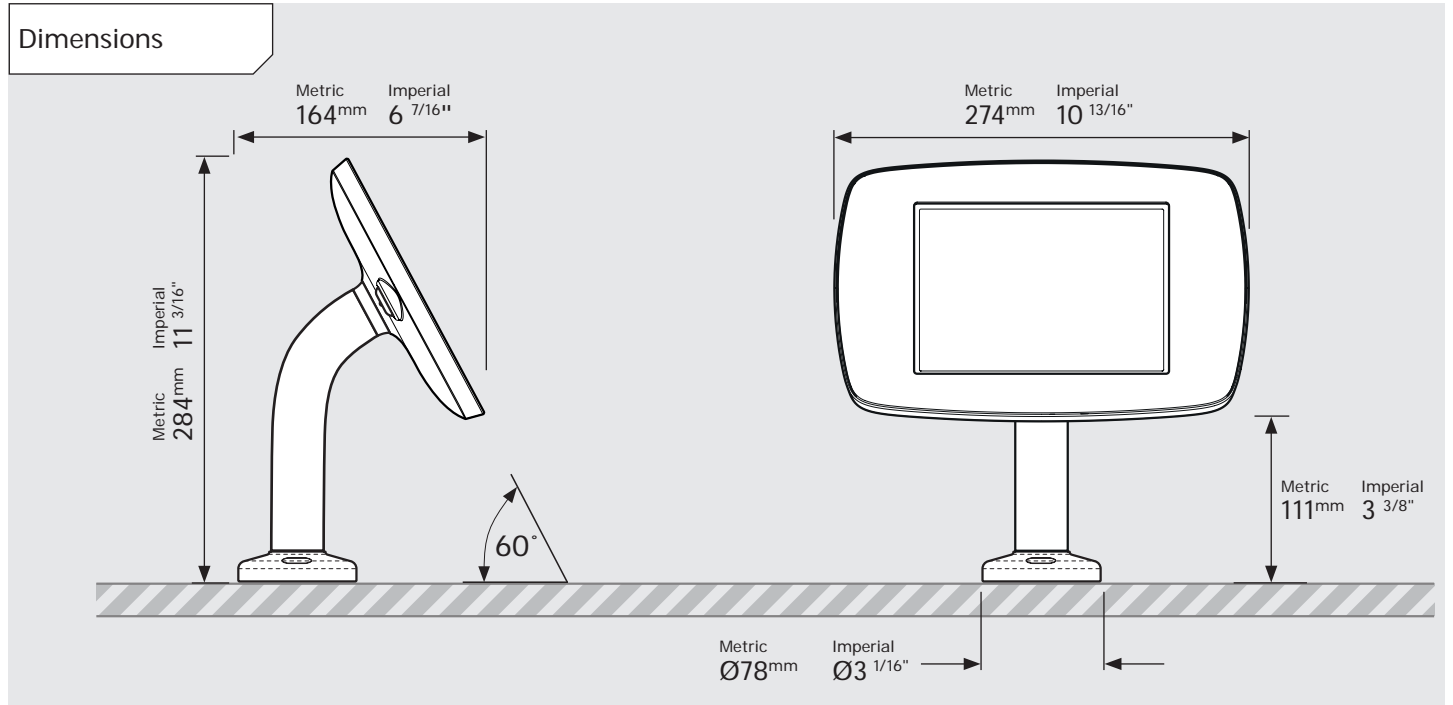
Mega Case supported devices:

- iPad Pro 12.9" 1st Gen
- iPad Pro 12.9" 2nd Gen
- iPad Pro 12.9" 3rd Gen
- Microsoft Surface Pro 4
- Microsoft Surface Pro 5

PRODUCT DATA SHEET - BOUNCEPAD SWIVEL 60

bouncepad[®]

Case: Mini Arm: S60 Mounting: Freestanding Base Packaged weight: 3.6kg Colour: White/Black

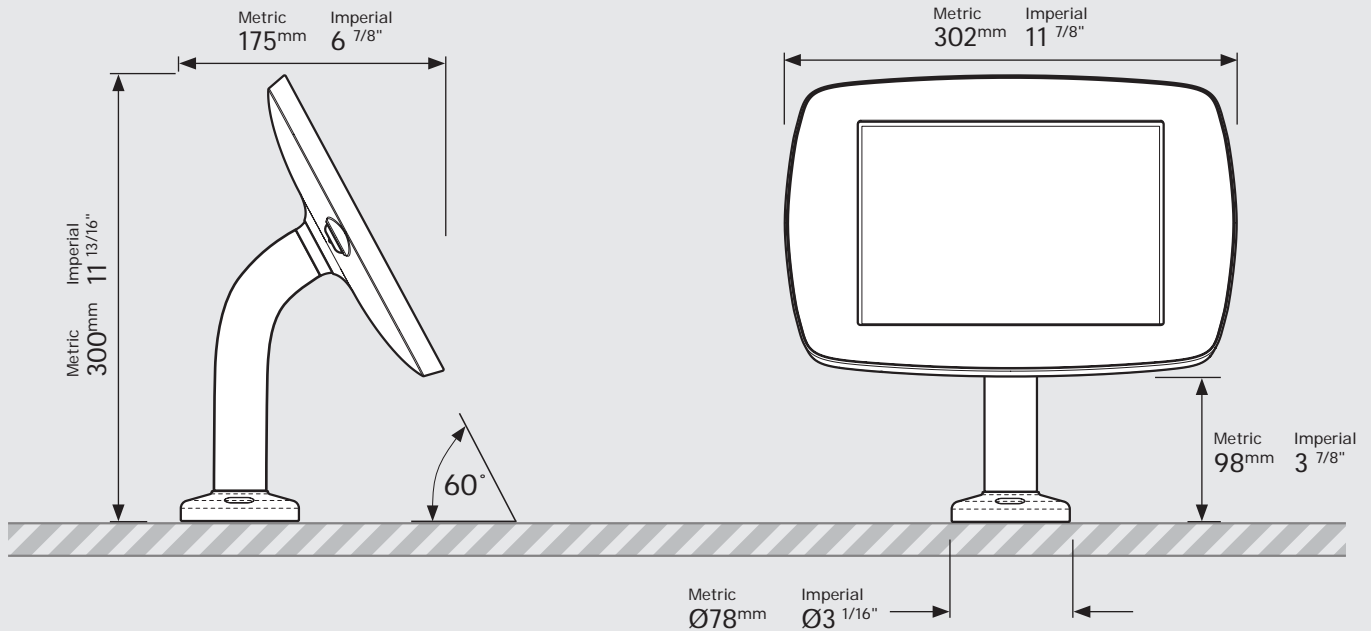


PRODUCT DATA SHEET - BOUNCEPAD SWIVEL 60

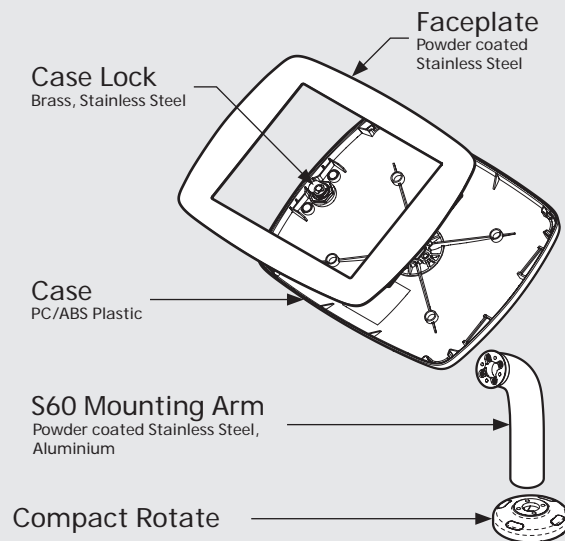
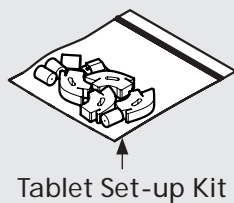
bouncepad[®]

Case: **Midi** Arm: **S60** Mounting: **Freestanding Base** Packaged weight: **3.8kg** Colour: **White/Black**

Dimensions



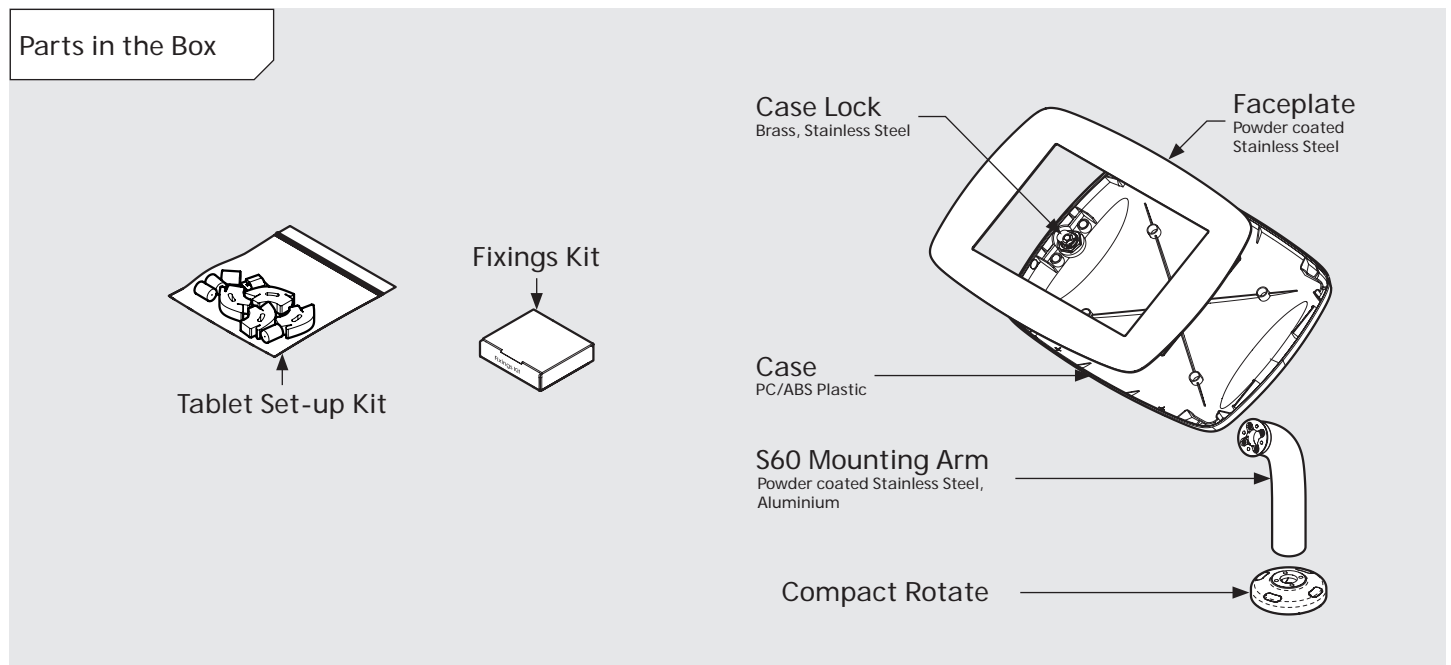
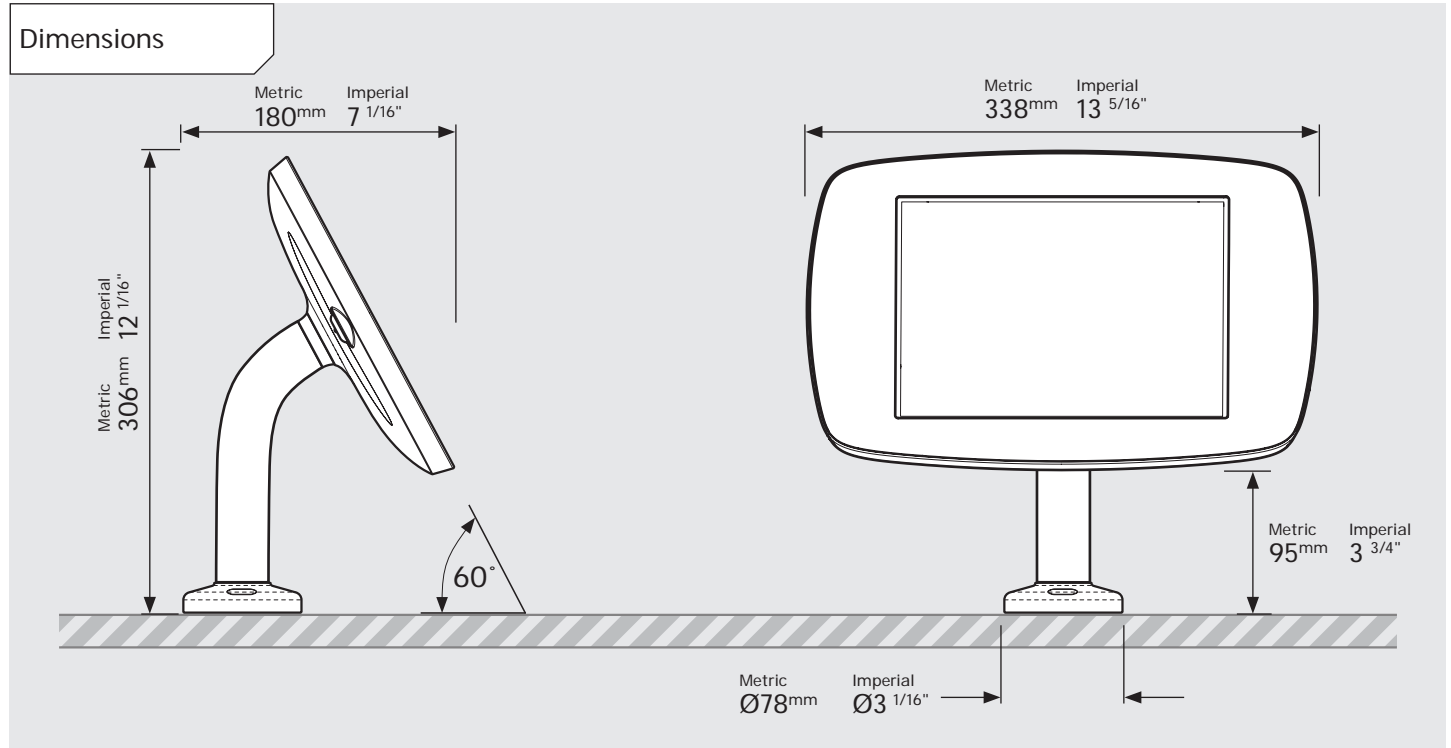
Parts in the Box



PRODUCT DATA SHEET - BOUNCEPAD SWIVEL 60

bouncepad[®]

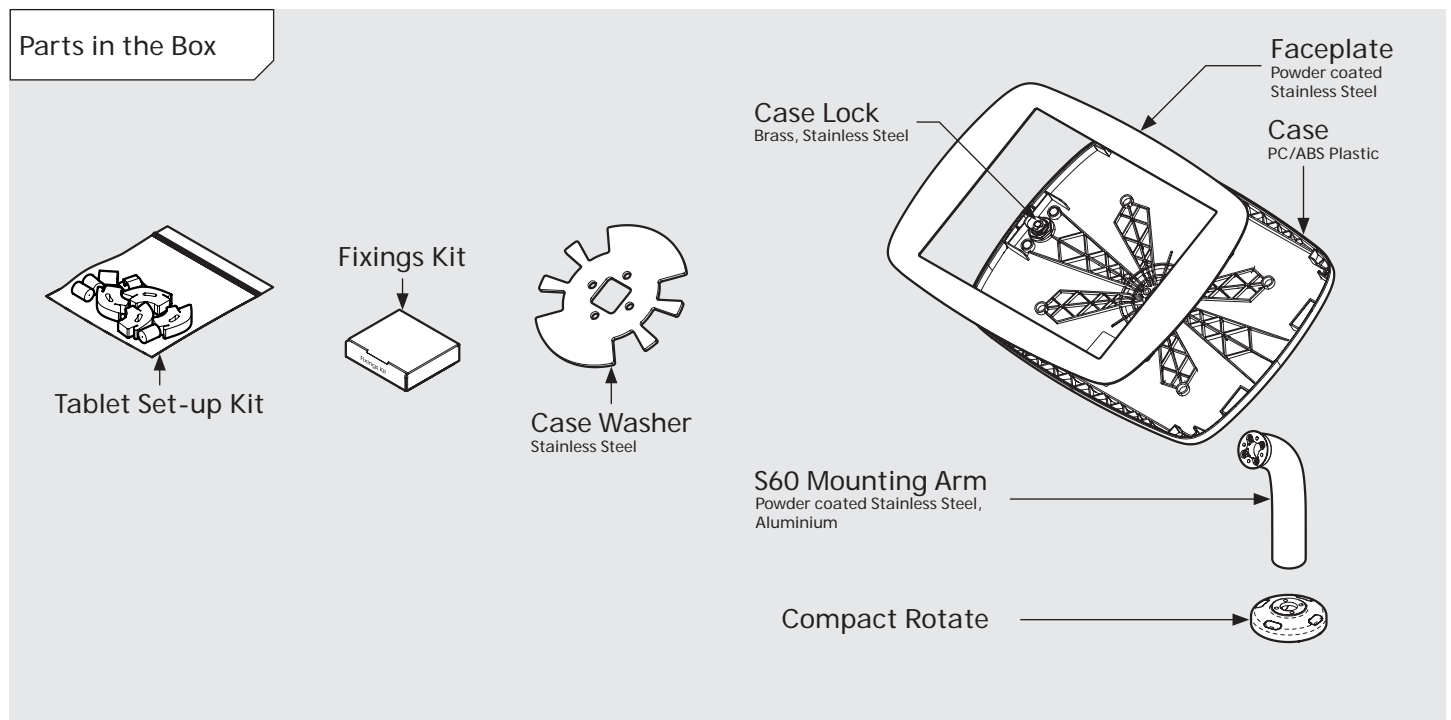
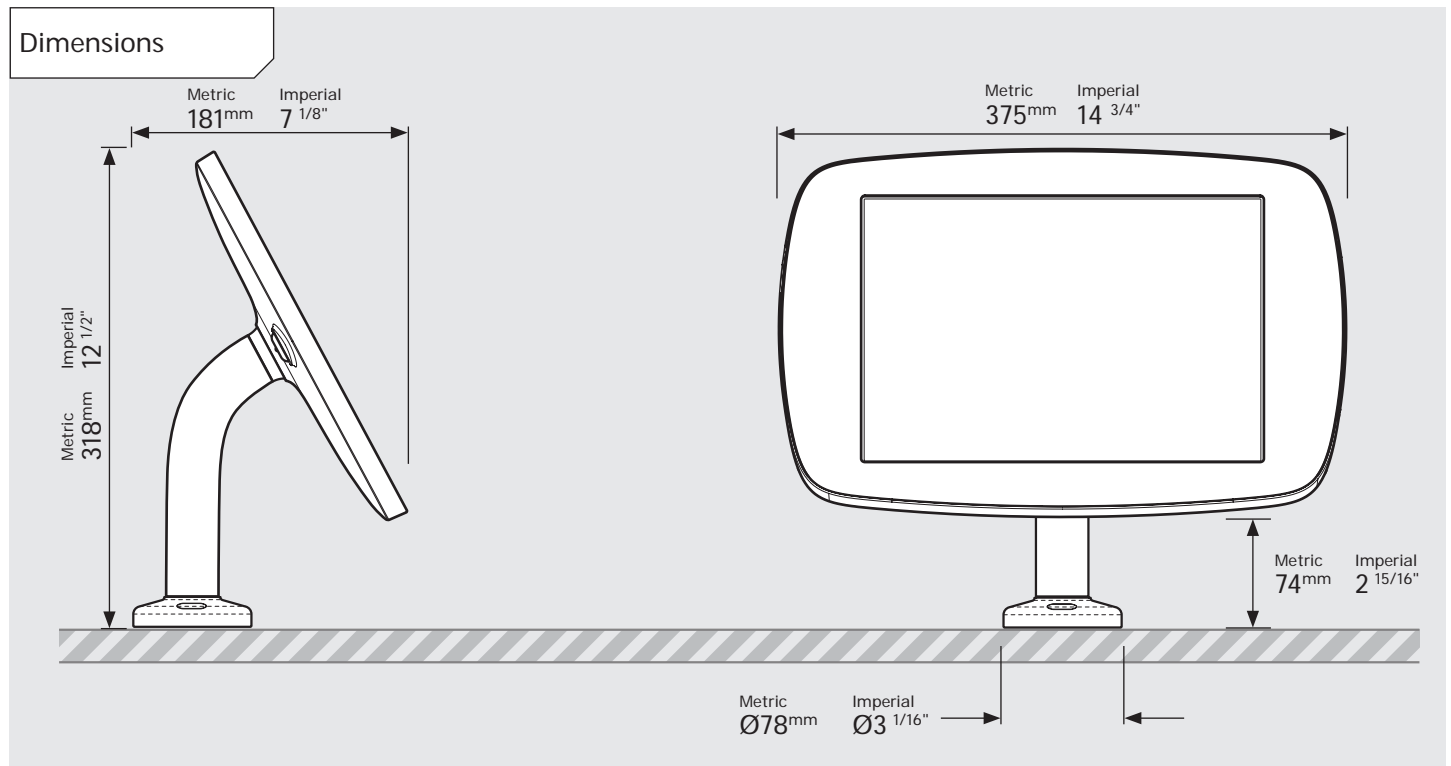
Case: **Maxi** Arm: **S60** Mounting: **Freestanding Base** Packaged weight: **4.0kg** Colour: **White Black**



PRODUCT DATA SHEET - BOUNCEPAD SWIVEL 60

bouncepad[®]

Case: Mega Arm: S60 Mounting: Freestanding Base Packaged weight: 4.3kg Colour: White/Black



PRODUCT DATA SHEET - COMPACT ROTATE

bouncepad®

Compatible Mounting Arms:

Desk
Static60

Mounting:

Fixing from
below

Fixing from
Above

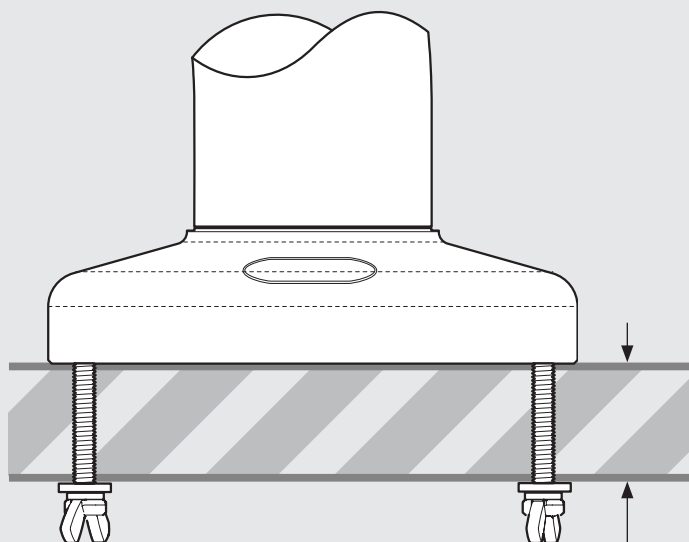
Colour:

Silver Only

Compact Rotate Dimensions

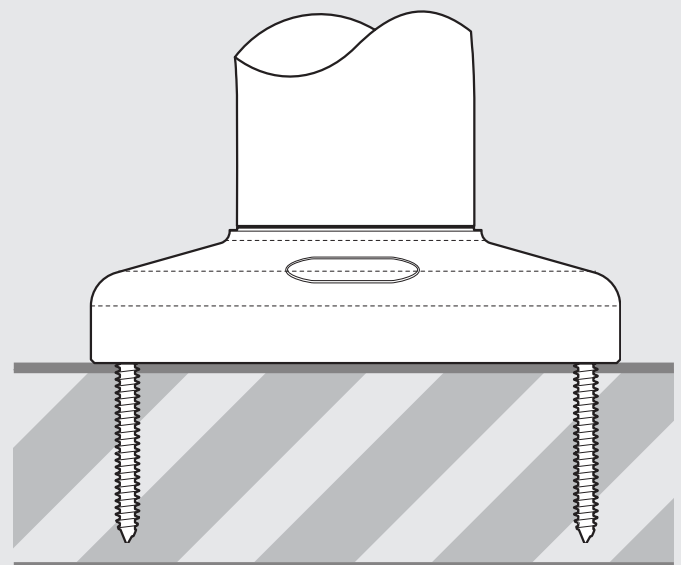


Fixing from Below



Maximum Mounting surface thickness : Metric 25mm Imperial 1"

Fixing from Above



Minimum Mounting surface thickness : Metric 34mm Imperial 1 5/16"