

## Floorstanding Slim

### Assembly Instructions

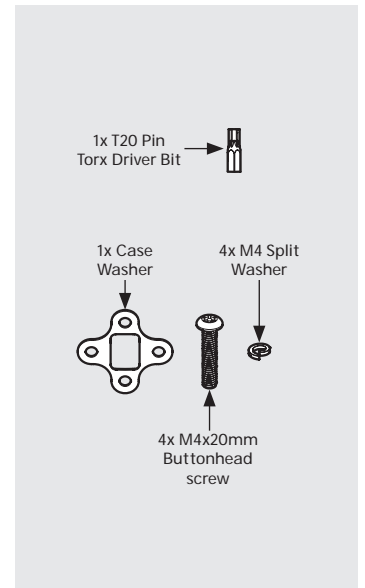
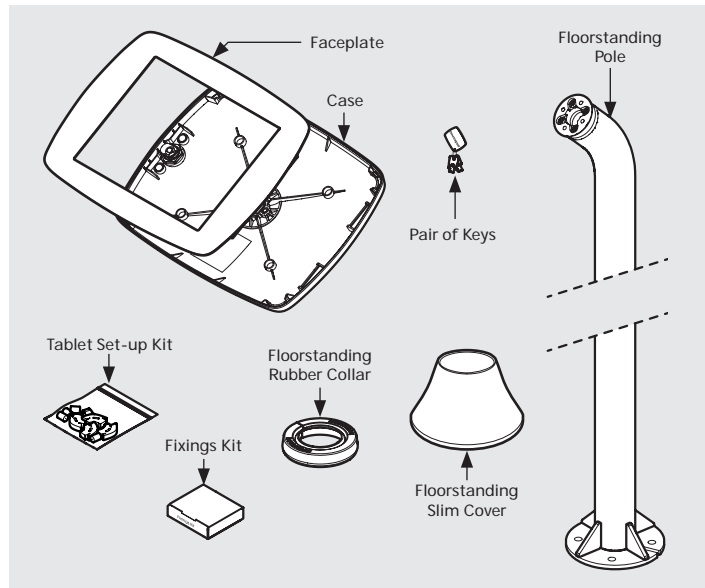
#### Tools Required:

- Pencil
- Socket Driver
- Drill *\*or adjustable spanner*
- Drillbit *\*Please note that the drillbit size & type will be determined by your chosen fixing method and material of the mounting surface. Ensure you have access to the appropriate tools to secure the Floorstanding to your mounting surface. \*Bouncepad does not provide these fixings.*

Sheet Code: BP-IM-048\_REV2

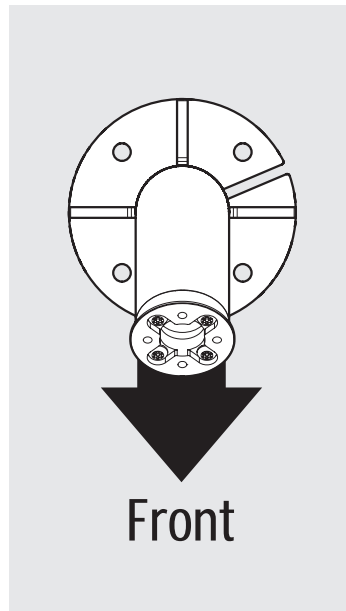
Release Date: 28/10/2019

Copyright 2016 Spotspot Ltd. (T/A Bouncepad) all rights reserved. Confidential, no part of this publication may be reproduced or transmitted in any form without the written permission of the copyright holder.

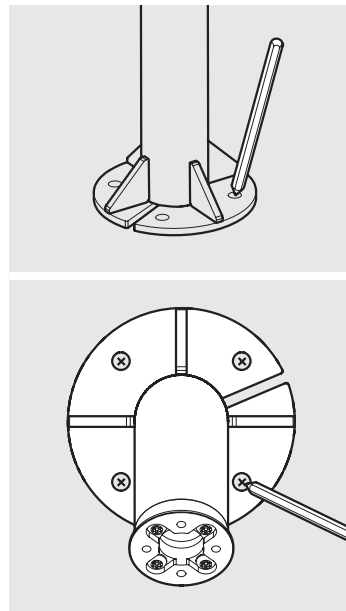


#### Fixings List

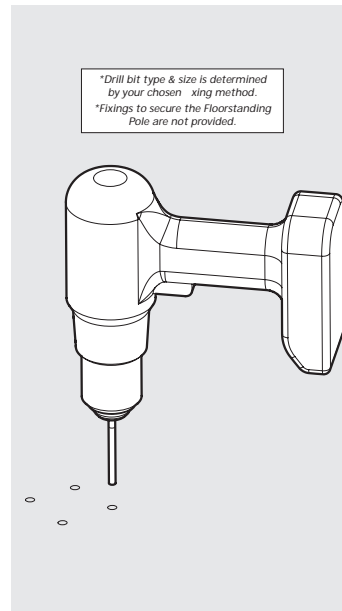
*\* Due to the modular nature of our product range you may receive additional fixings in the fixings kit*



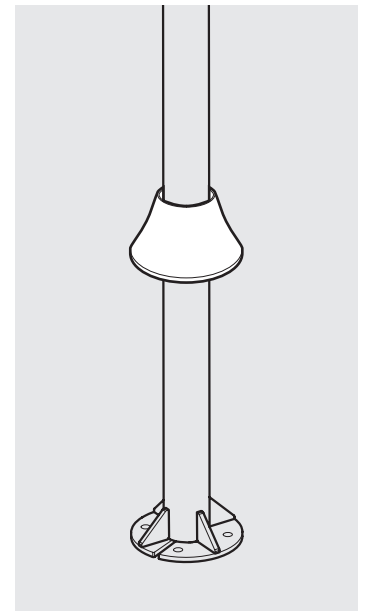
**1** Position & orientate the Floorstanding pole in the location of final install.



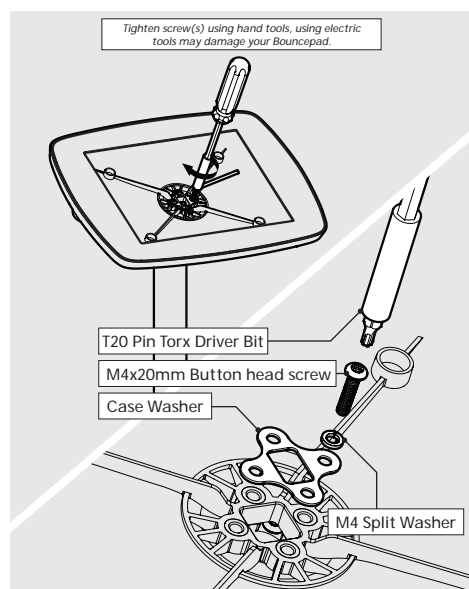
**2** Mark the drill hole locations on the mounting surface.



**3** Drill all four fixing holes into the mounting surface.



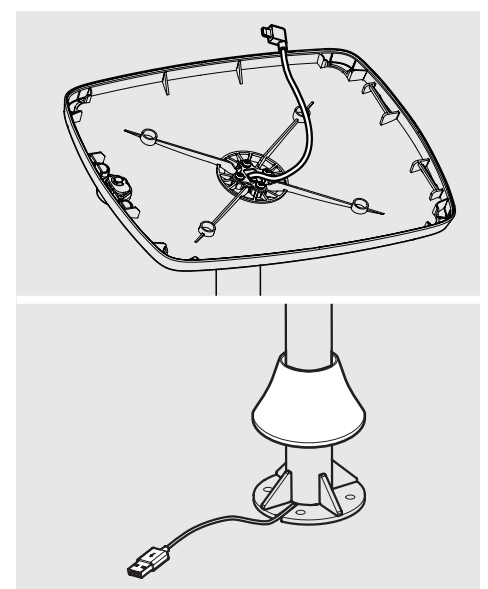
**4** Locate the Floorstanding Slim Cover over the Floorstanding Pole.



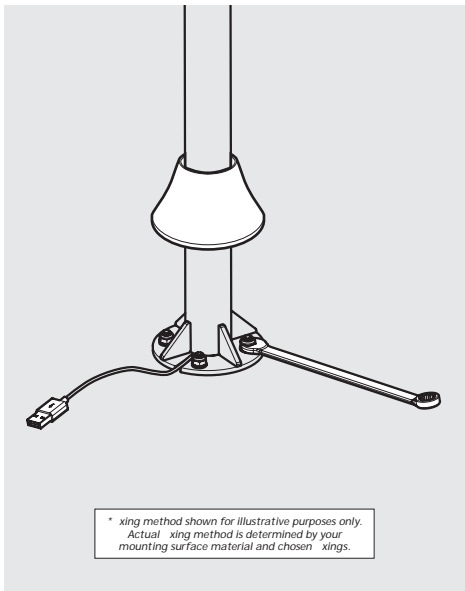
**5** Locate and secure the Case onto the Mounting Arm as shown. Tighten by hand.



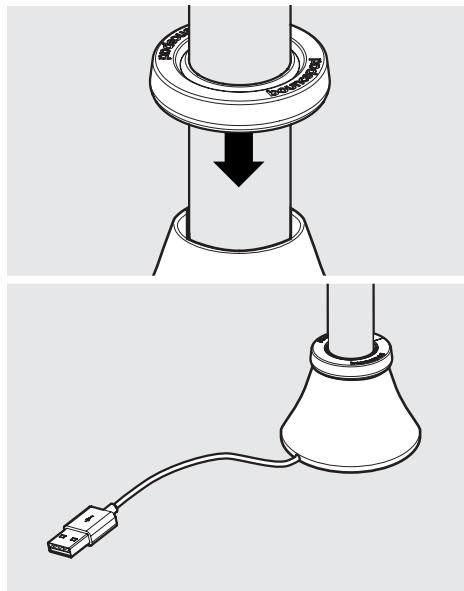
**6** Unlock & remove the Faceplate from the Bouncepad Case.



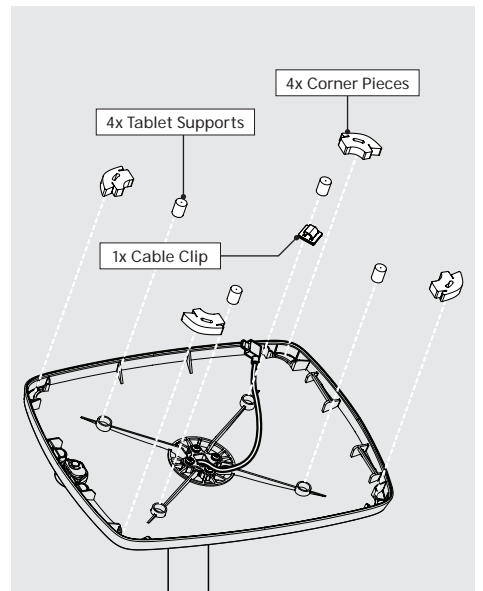
**7** Feed the tablet power cable through the Bouncepad Case and Floorstanding Pole.



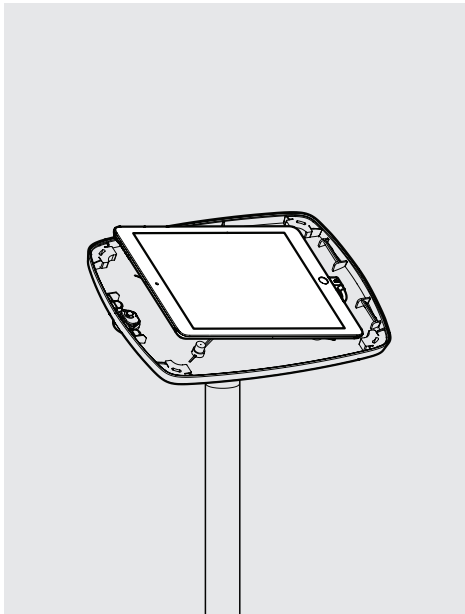
**8** Secure the Floorstanding Pole to the mounting surface, using your chosen xing method.



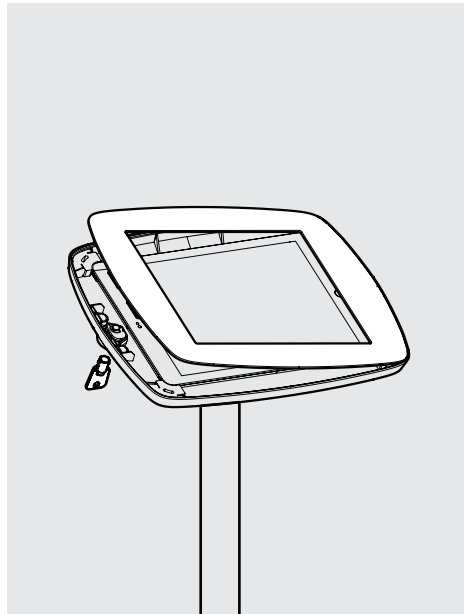
**9** With the Floorstanding Slim Cover on the ground, locate and t the Floorstanding Rubber Collar.



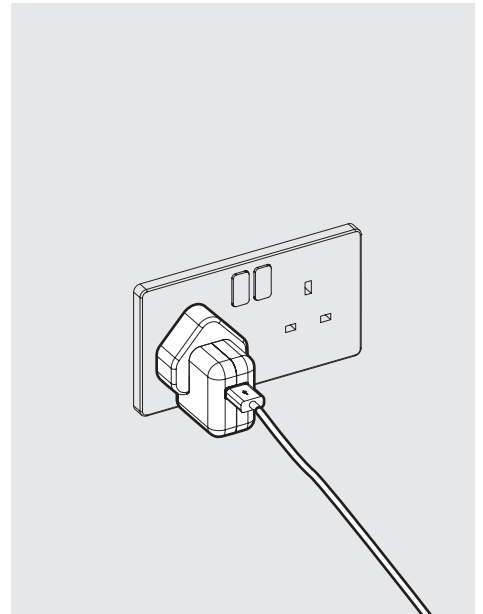
**10** Install the Tablet Setup Kit. Each kit is speci c per tablet device and Bouncepad Case.



**11** Install the tablet into the Case and connect to power.



**12** Locate and lock the Faceplate to the Case.



**13** Connect the tablet power cable to its mains power source.



**14** Installation is now complete.