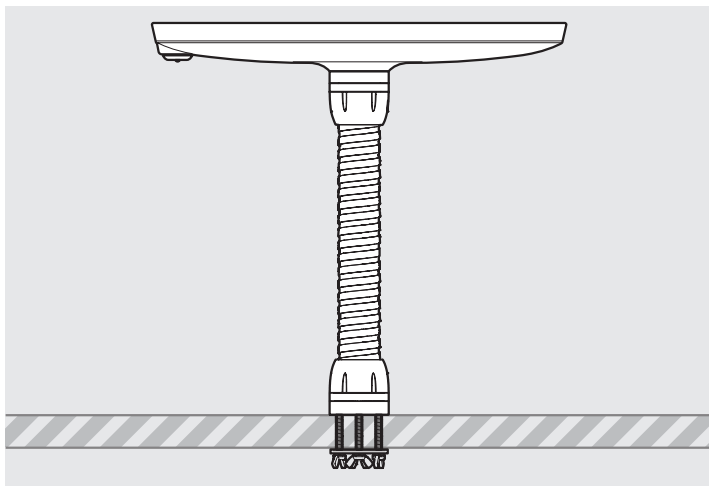


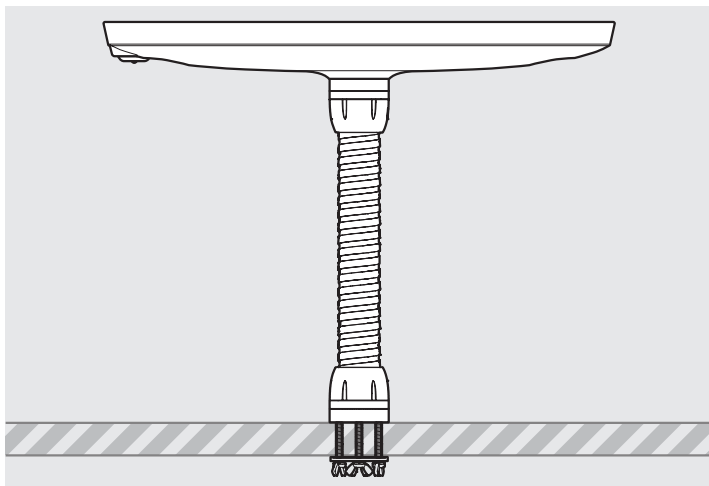
Mini Case supported devices:

- iPad Mini 1
- iPad Mini 2
- iPad Mini 3
- iPad Mini 4
- iPad Mini (2019)



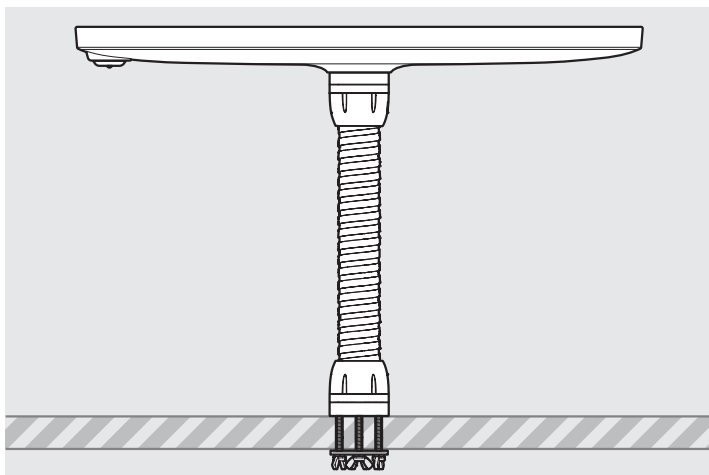
Midi Case supported devices:

- iPad 6th Gen
- iPad 5th Gen
- iPad 4th Gen
- iPad 3rd Gen
- iPad Pro 9.7
- iPad Air 1
- iPad Air 2
- Samsung Tab S2 9.7
- Samsung Tab S3 9.7
- Samsung Tab A 9.7



Maxi Case supported devices:

- iPad Pro 10.5
- iPad Pro 11.0
- iPad Air (2019)
- Samsung Tab A6 10.1
- Samsung Tab A 10.1
- Samsung Tab A 10.5
- Samsung Tab 4 10.1
- Microsoft Surface Go



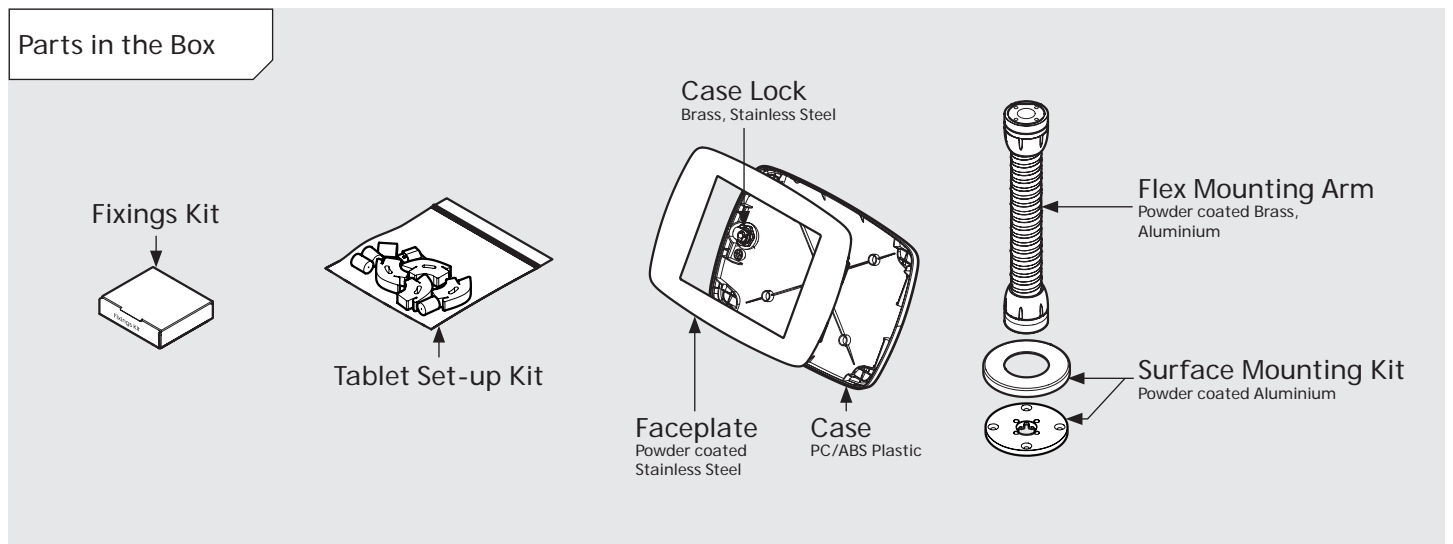
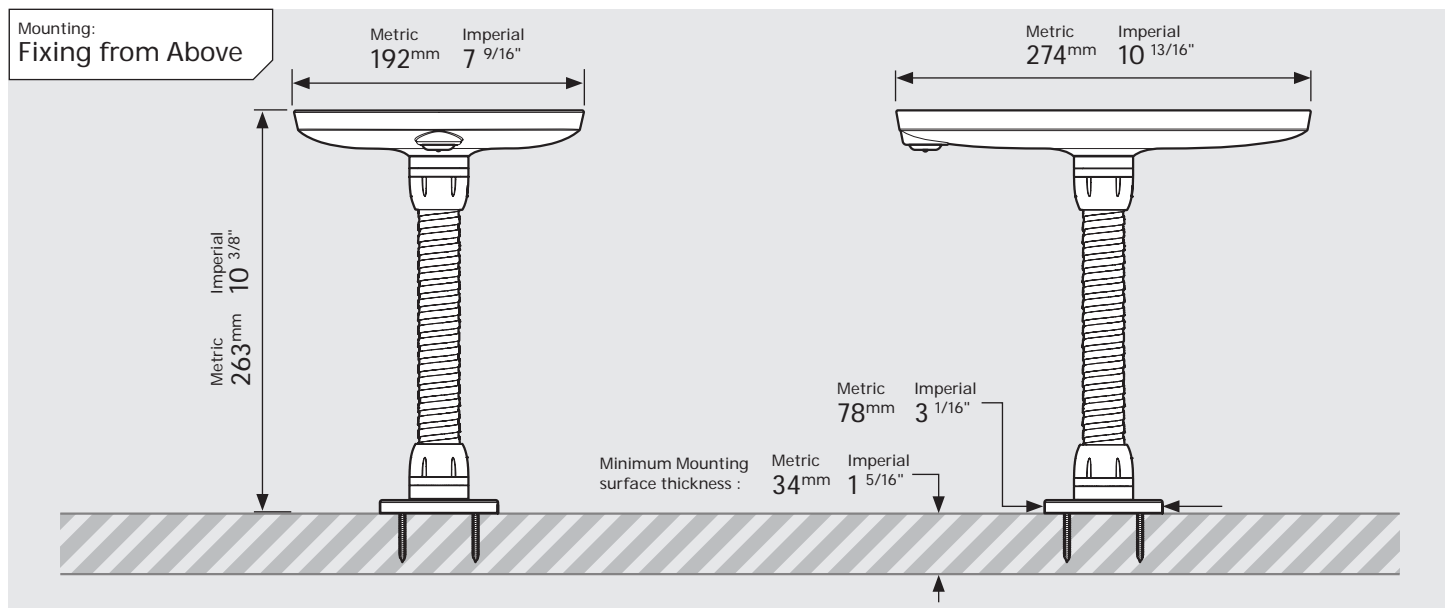
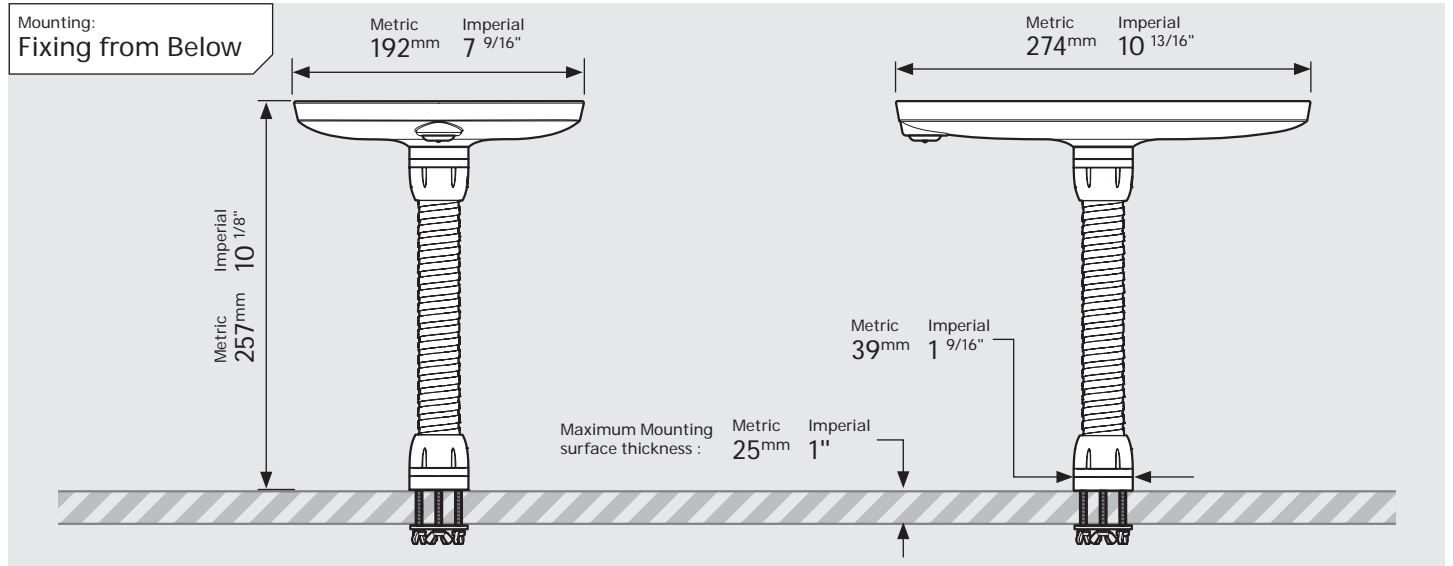
Mega Case supported devices:

- iPad Pro 12.9" 1st Gen
- iPad Pro 12.9" 2nd Gen
- iPad Pro 12.9" 3rd Gen
- Microsoft Surface Pro 4
- Microsoft Surface Pro 5

PRODUCT DATA SHEET - BOUNCEPAD FLEX

bouncepad[®]

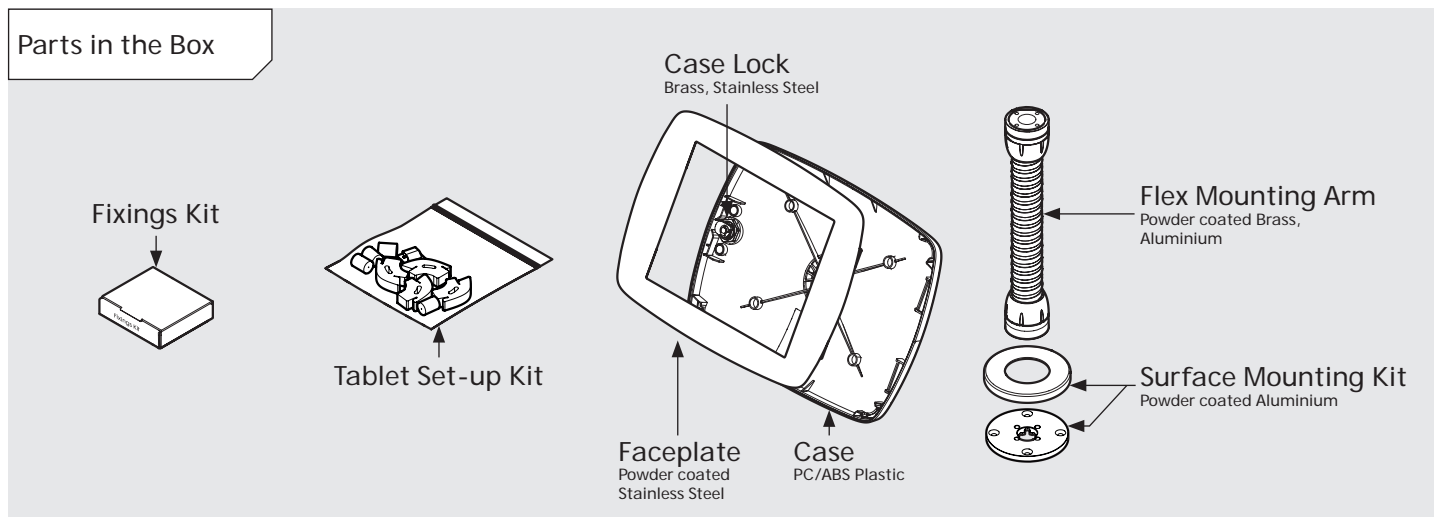
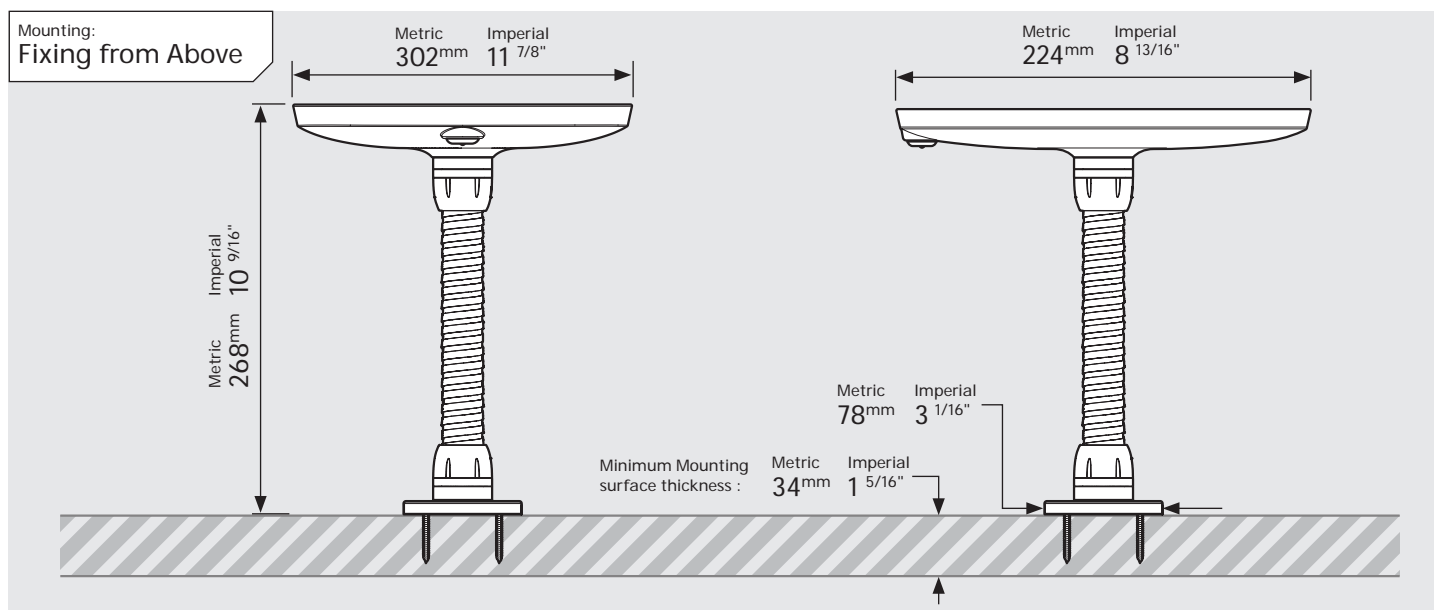
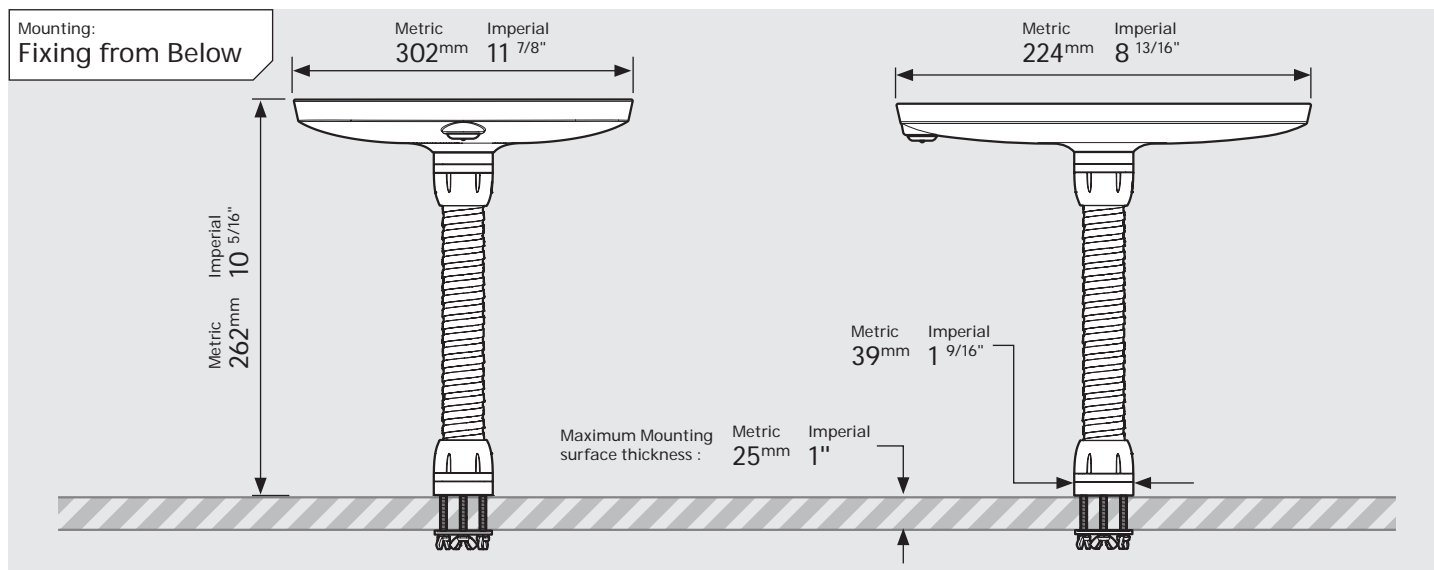
Case: Mini Arm: Flex Mounting: Fixing from Below / Fixing from Above Packaged weight: 2.25kg Colour: White / Black



PRODUCT DATA SHEET - BOUNCEPAD FLEX

bouncepad[®]

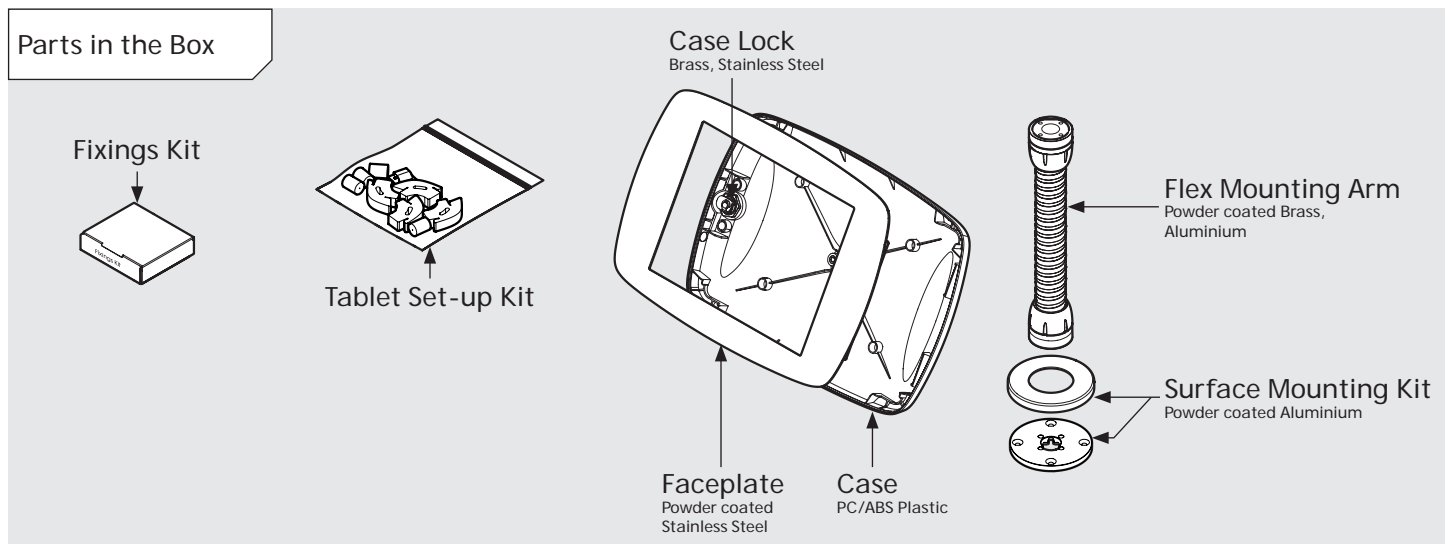
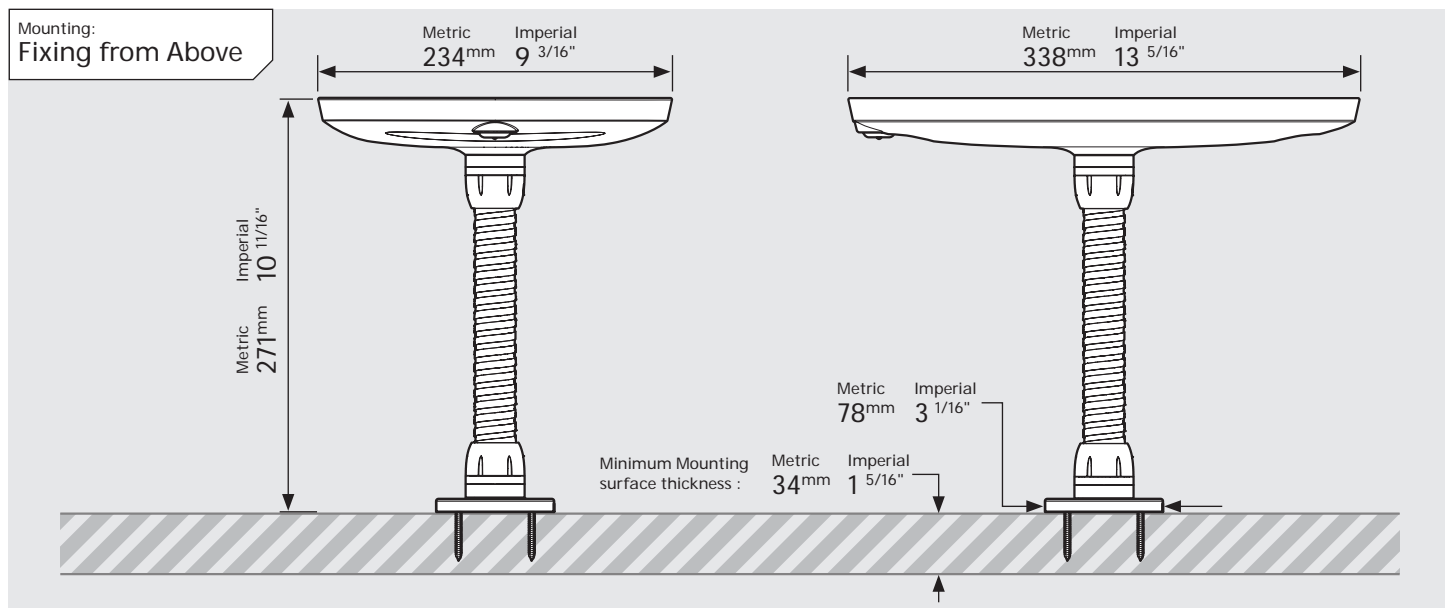
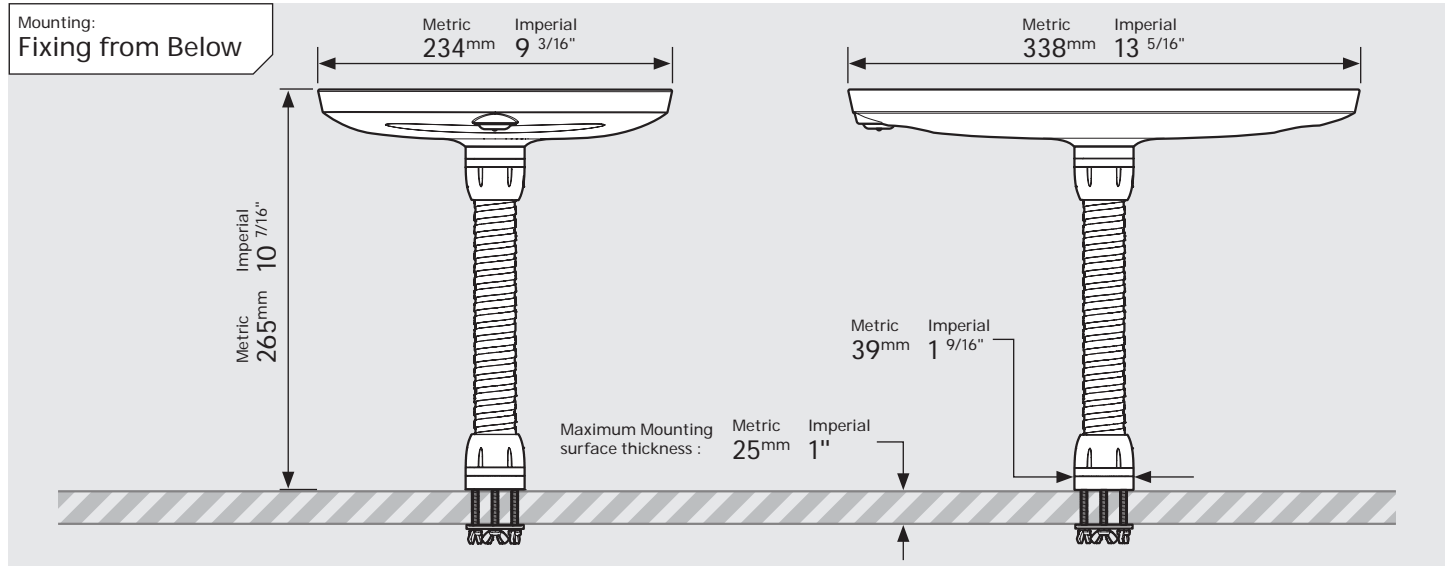
Case: Midi Arm: Flex Mounting: Fixing from Below
 Packaged weight: 2.43kg Colour: White
 Black



PRODUCT DATA SHEET - BOUNCEPAD FLEX

bouncepad[®]

Case: Maxi Arm: Flex Mounting: Fixing from Below
 Fixing from Above Packaged weight: 2.66kg Colour: White
 Black



PRODUCT DATA SHEET - BOUNCEPAD FLEX

bouncepad[®]

Case: Mega Arm: Flex Mounting: Fixing from Below Packaged weight: 3.05kg Colour: White
 Fixing from Above Black

