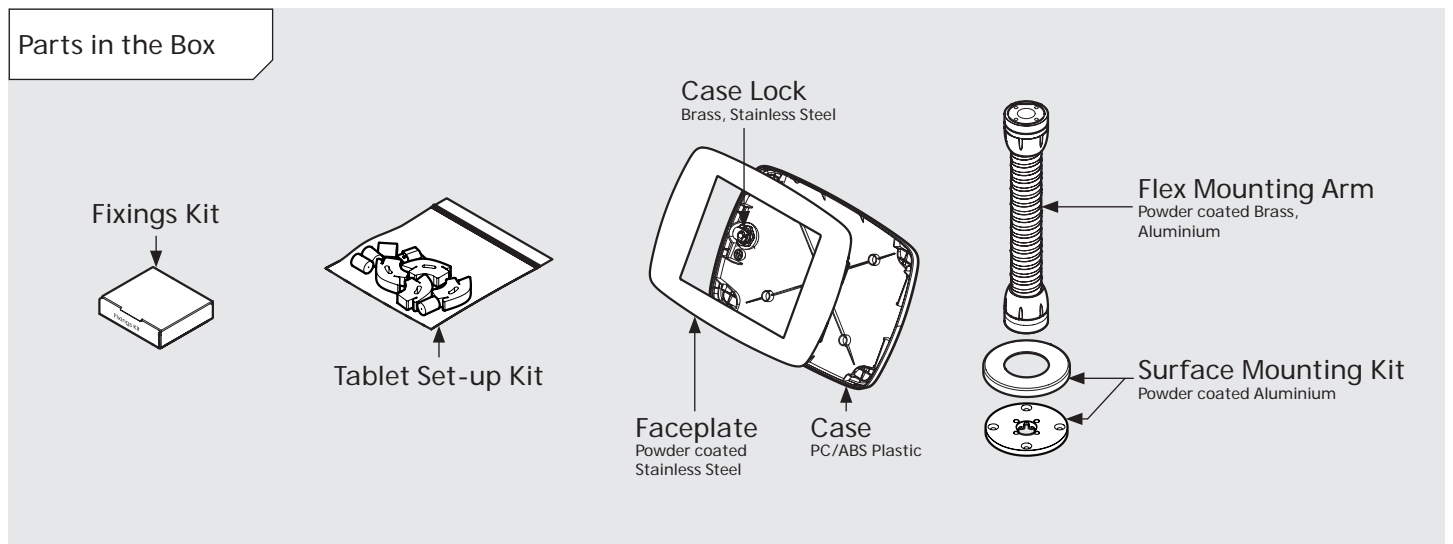
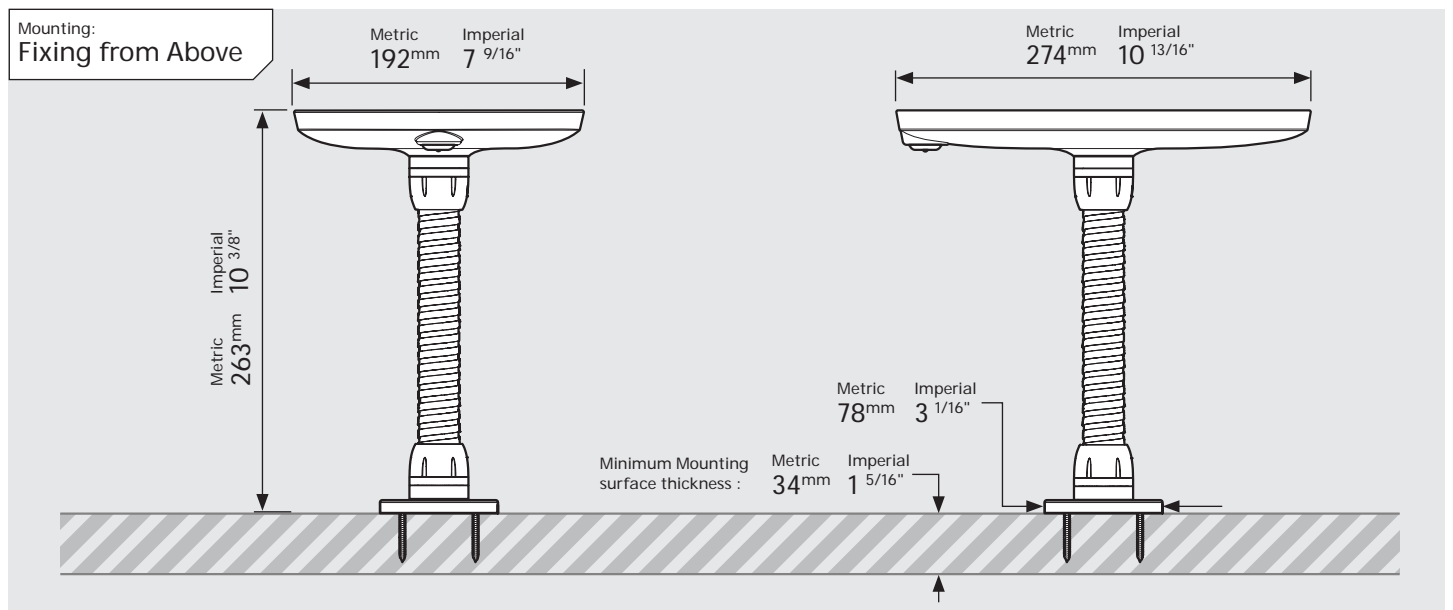
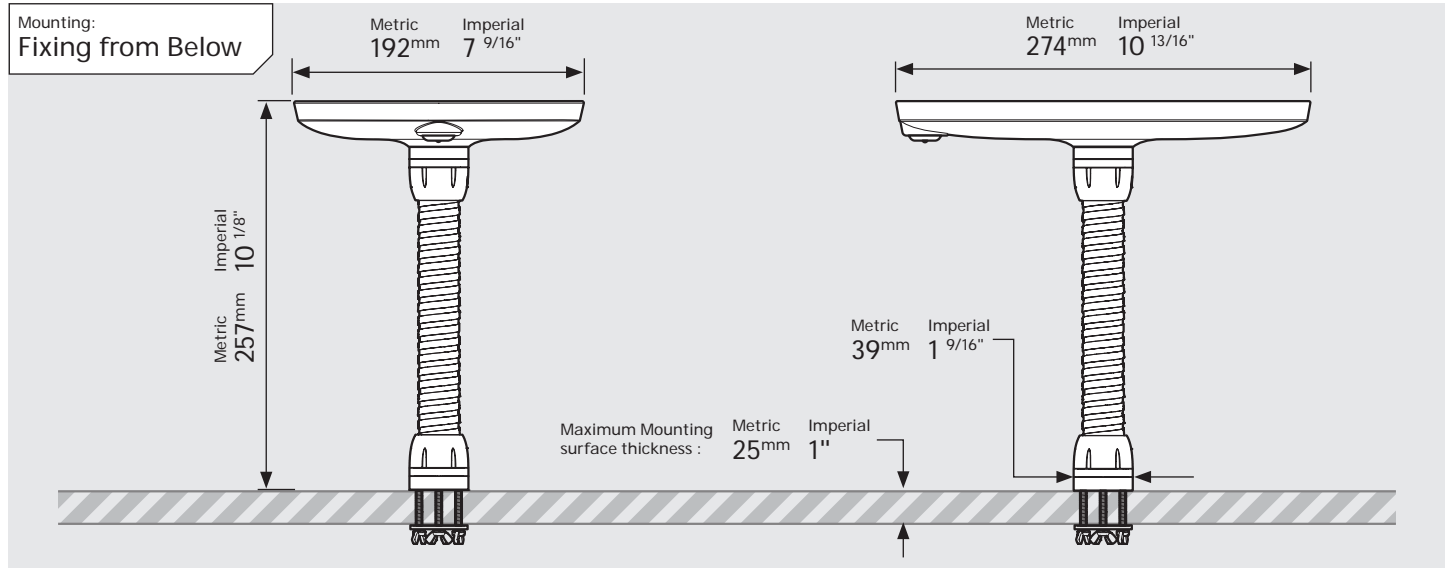


PRODUCT DATA SHEET - FLEX (MINI CASE)

bouncepad®

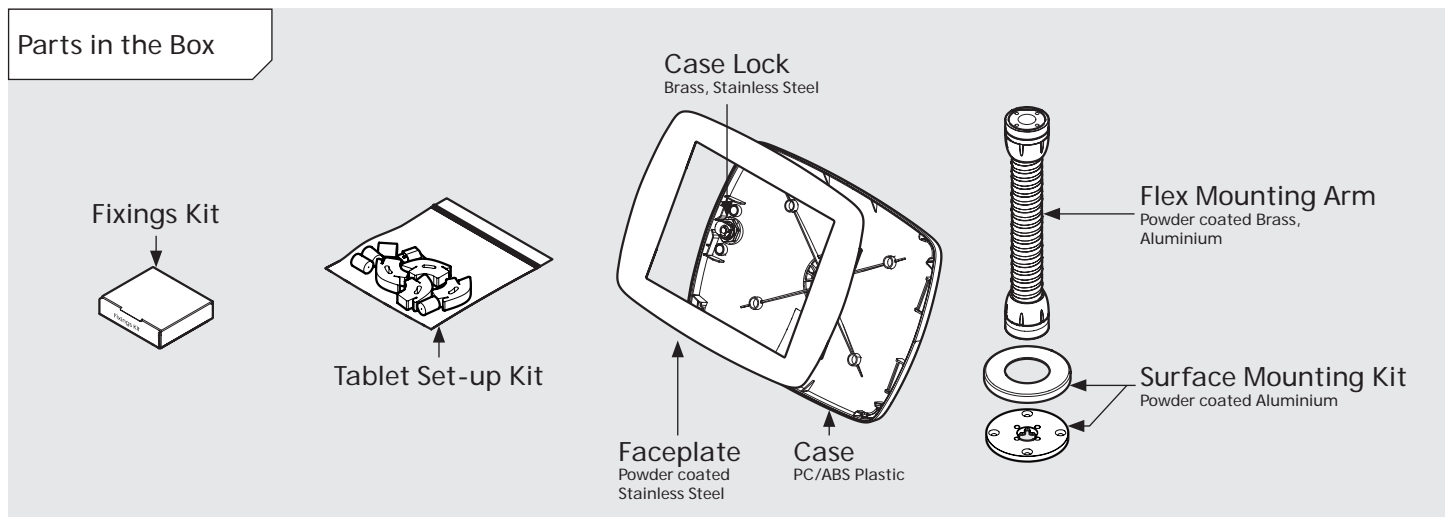
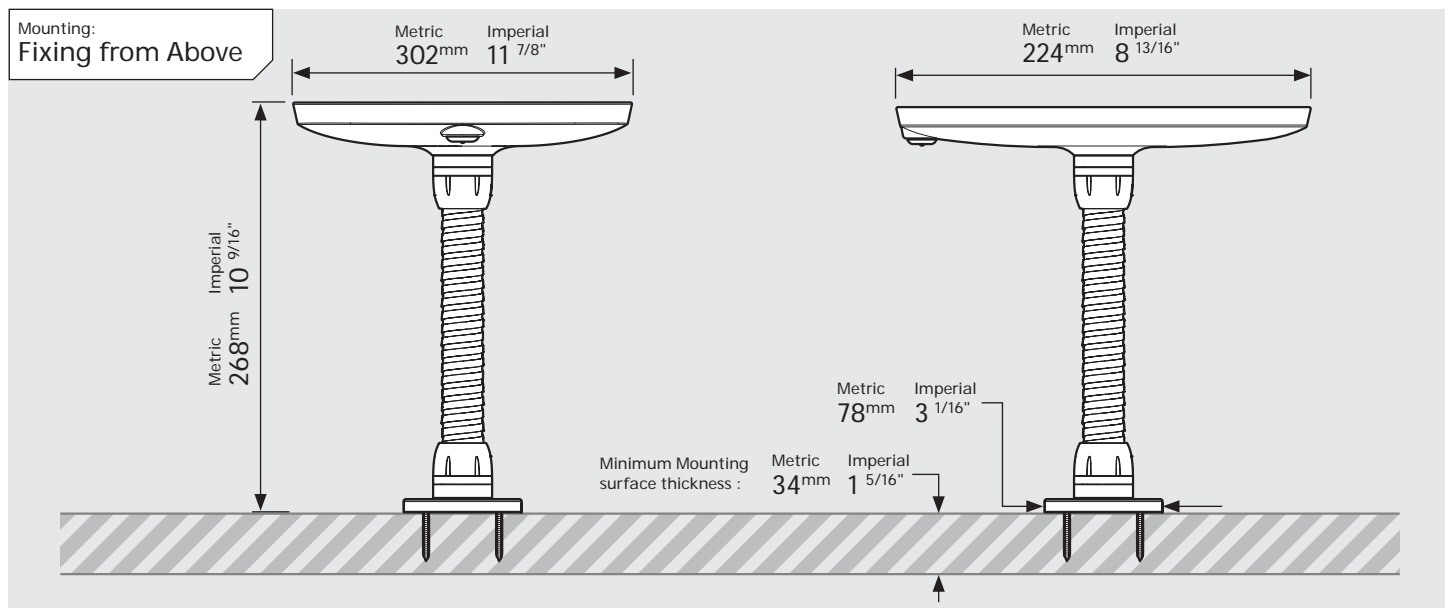
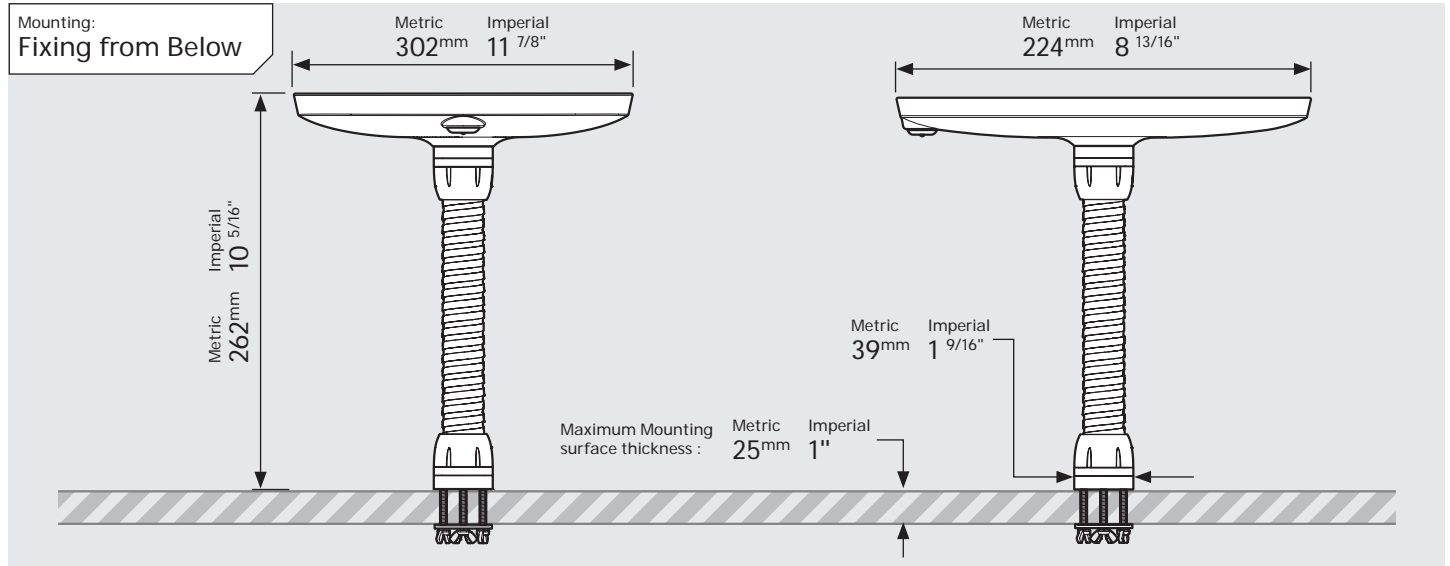
Case: Mini Arm: Flex Mounting: Fixing from Below / Fixing from Above Packaged weight: 2.25kg Colour: White / Black



PRODUCT DATA SHEET - FLEX (MIDI CASE)

bouncepad®

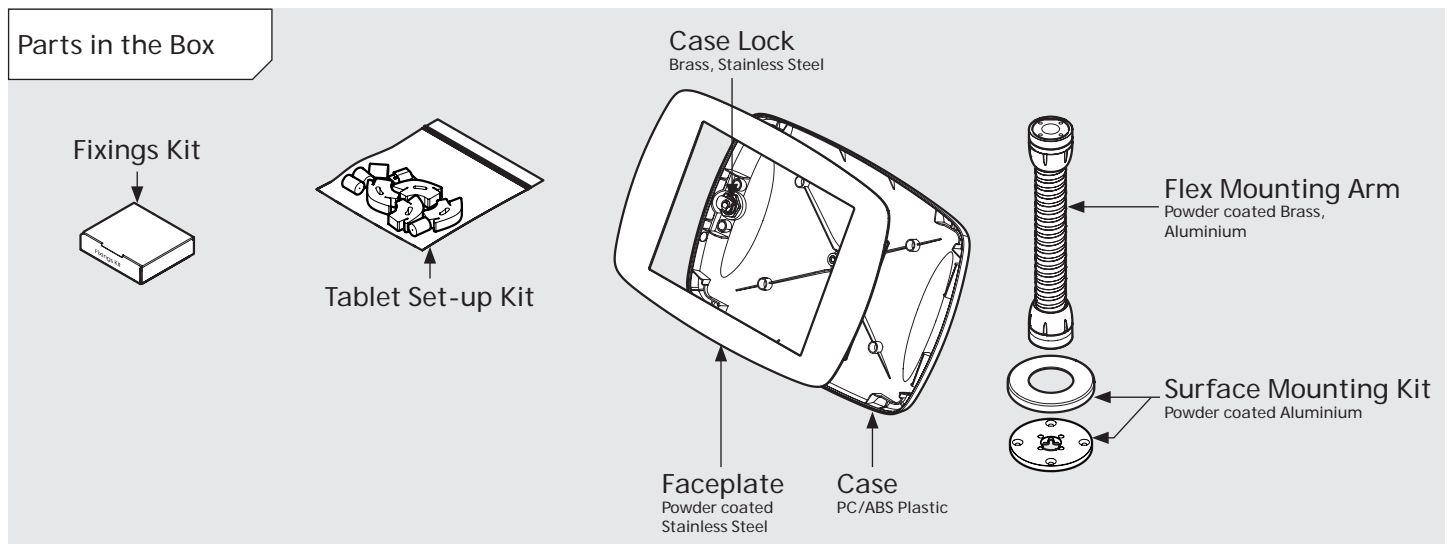
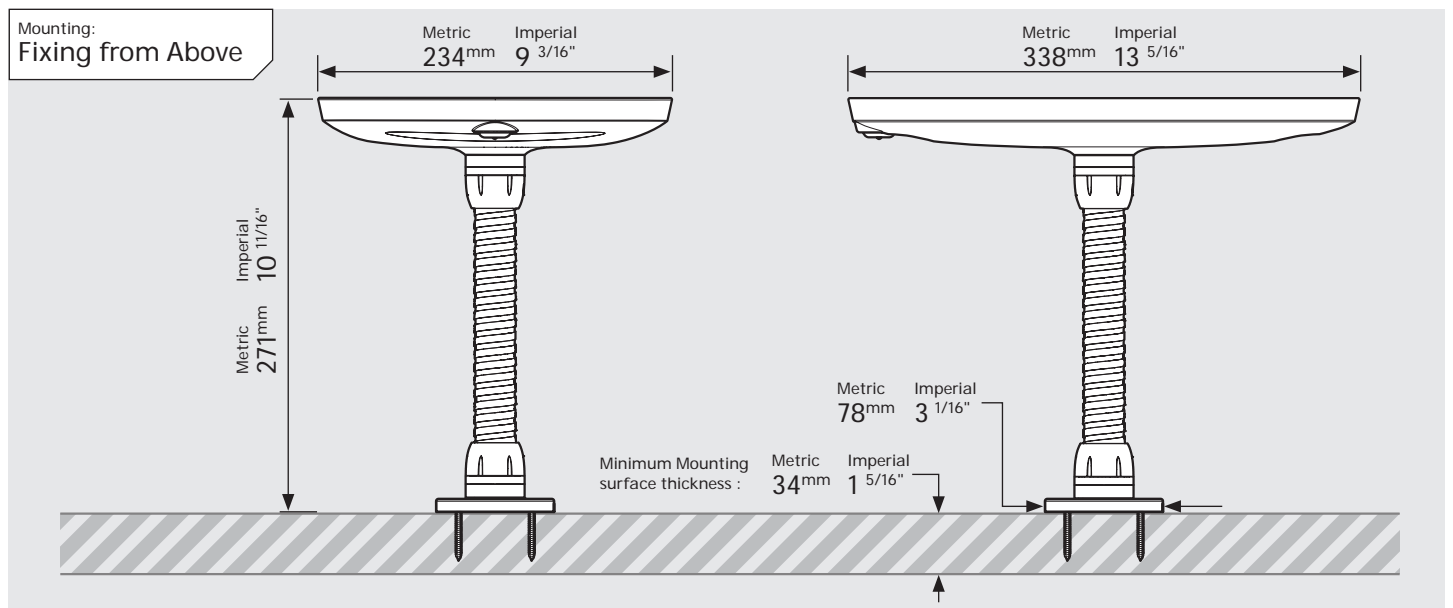
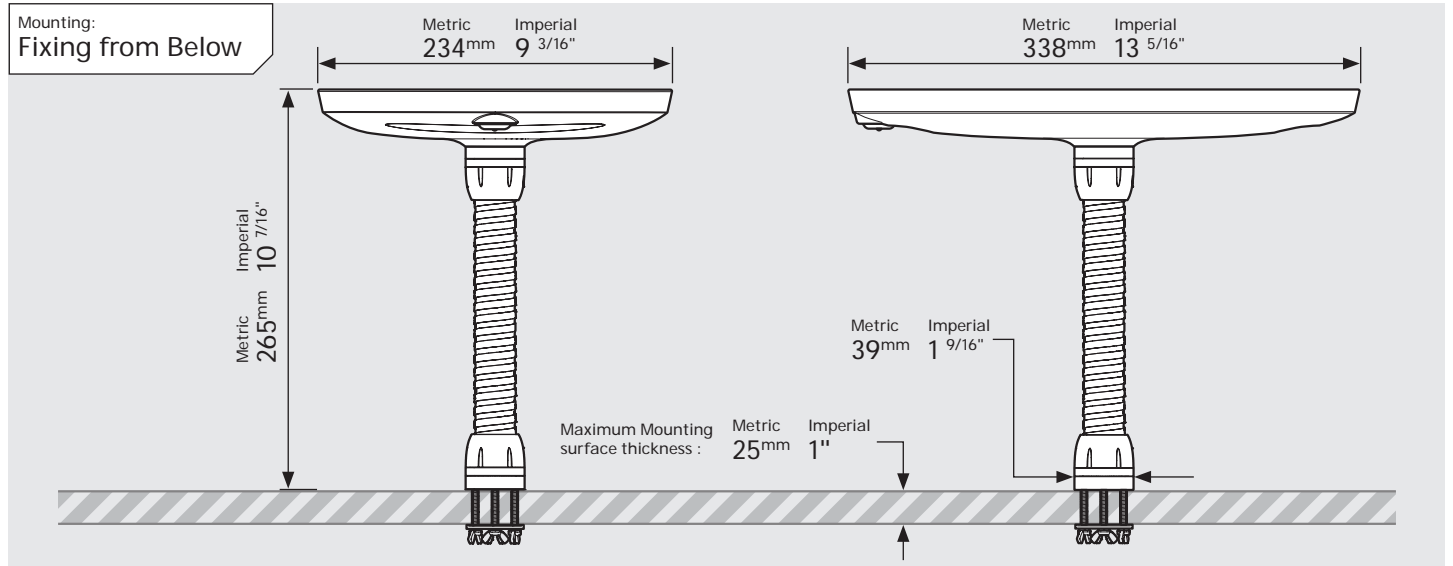
Case: Midi Arm: Flex Mounting: Fixing from Below Packaged weight: 2.43kg Colour: White
 Fixing from Above Black



PRODUCT DATA SHEET - FLEX (MAXI CASE)

bouncepad®

Case: Maxi Arm: Flex Mounting: Fixing from Below
 Fixing from Above Packaged weight: 2.66kg Colour: White
 Black



PRODUCT DATA SHEET - FLEX (MEGA CASE)

bouncepad®

Case: Mega Arm: Flex Mounting: Fixing from Below
 Fixing from Above Packaged weight: 3.05kg Colour: White
 Black

