

## Mini Case supported devices:

- iPad Mini 1
- iPad Mini 2
- iPad Mini 3
- iPad Mini 4
- iPad Mini (2019)

## Midi Case supported devices:

- iPad 6th Gen
- iPad 5th Gen
- iPad 4th Gen
- iPad 3rd Gen
- iPad Pro 9.7
- iPad Air 1
- iPad Air 2
- Samsung Tab S2 9.7
- Samsung Tab S3 9.7
- Samsung Tab A 9.7

\* Cable is not included for the Samsung Tab S3 9.7 Tablet

## Maxi Case supported devices:

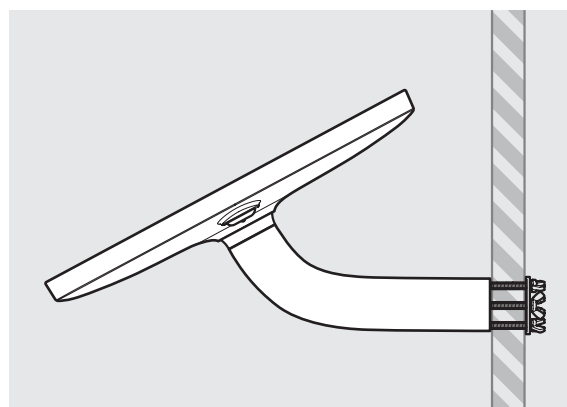
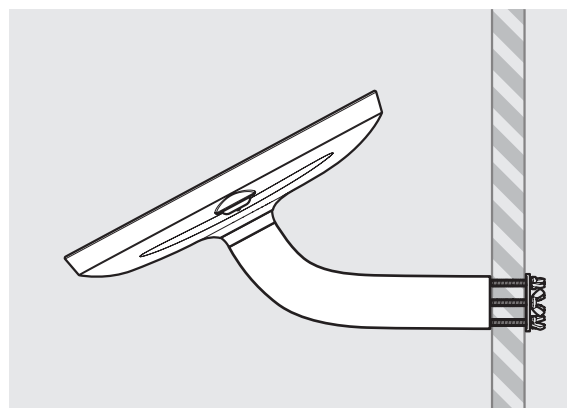
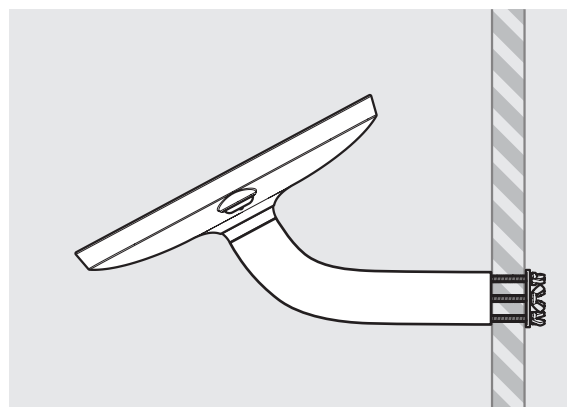
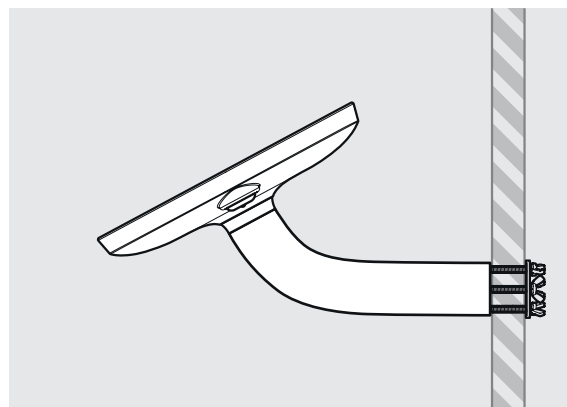
- iPad Pro 10.5
- iPad Pro 11.0
- iPad Air (2019)
- Samsung Tab A6 10.1
- Samsung Tab A 10.1
- Samsung Tab A 10.5
- Samsung Tab 4 10.1
- Microsoft Surface Go

\* Cable is not included for the Apple iPad Pro 11.0 tablet.  
Cable is not included for the Microsoft Surface Go.

## Mega Case supported devices:

- iPad Pro 12.9" 1st Gen
- iPad Pro 12.9" 2nd Gen
- iPad Pro 12.9" 3rd Gen
- Microsoft Surface Pro 4
- Microsoft Surface Pro 5

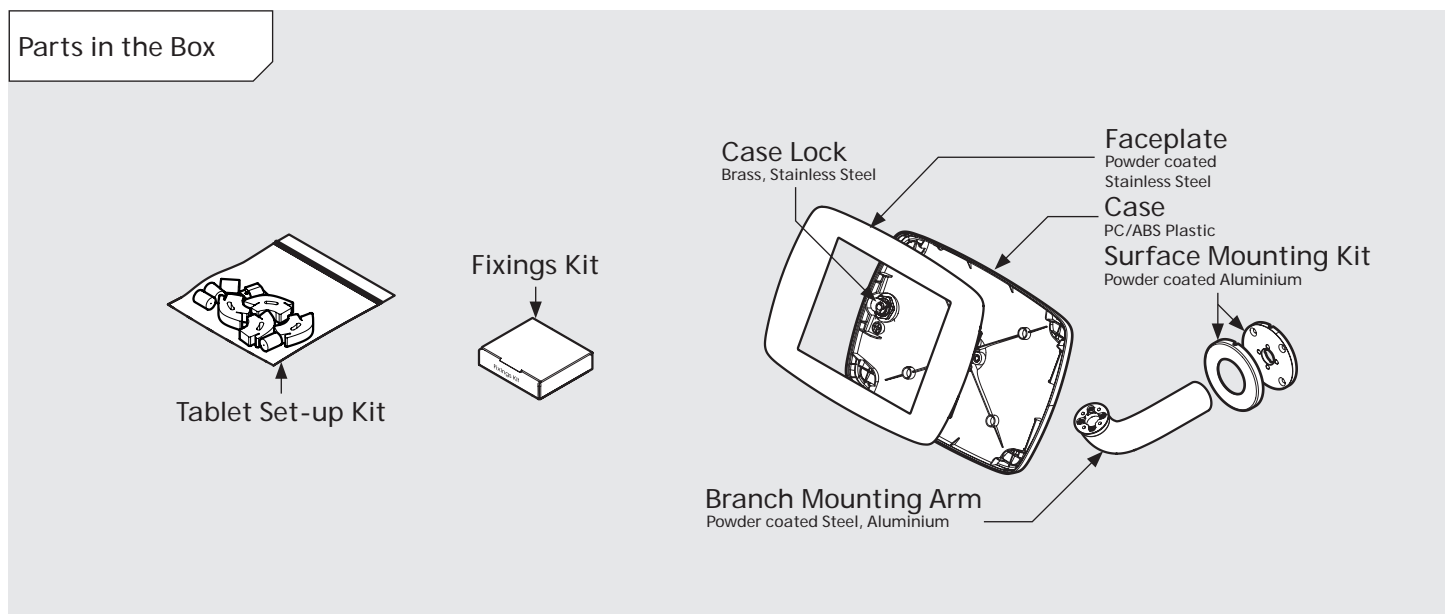
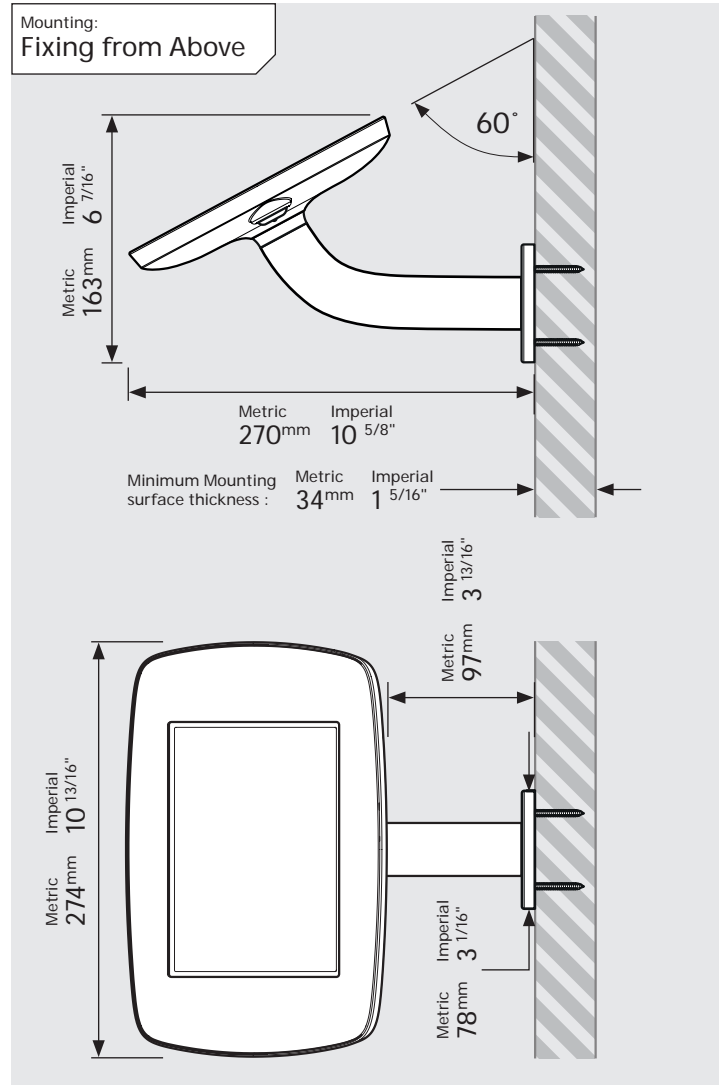
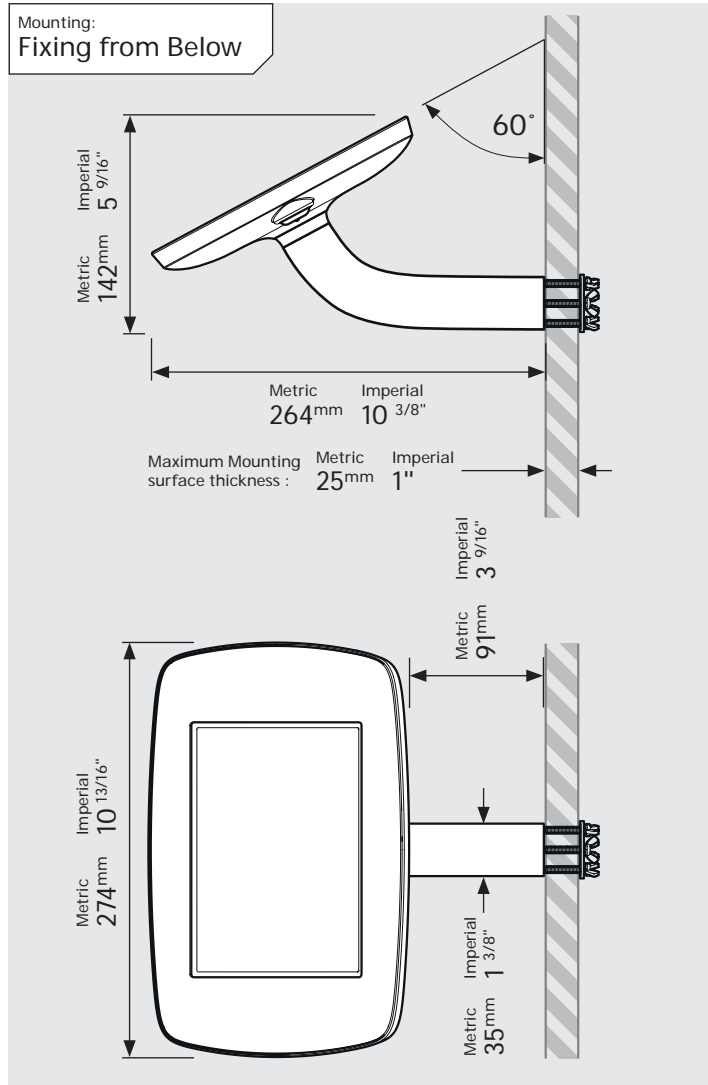
\* Cable is not included for the Surface Pro 4 or Surface Pro 5 Tablets.  
Cable is not included for the iPad Pro 12.9" 3rd Gen.



# PRODUCT DATA SHEET - BOUNCEPAD BRANCH



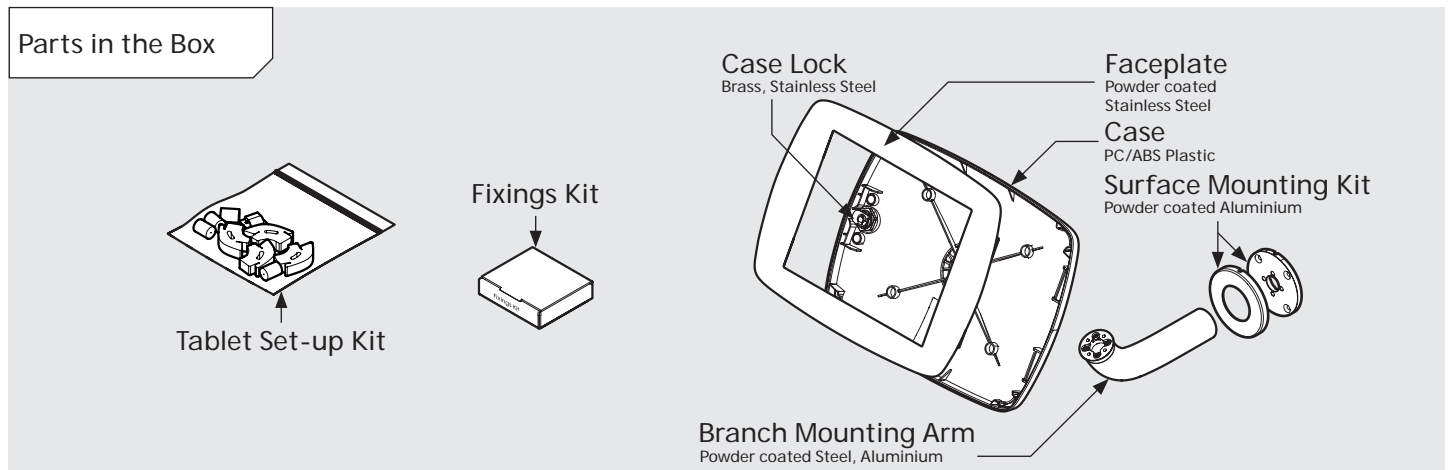
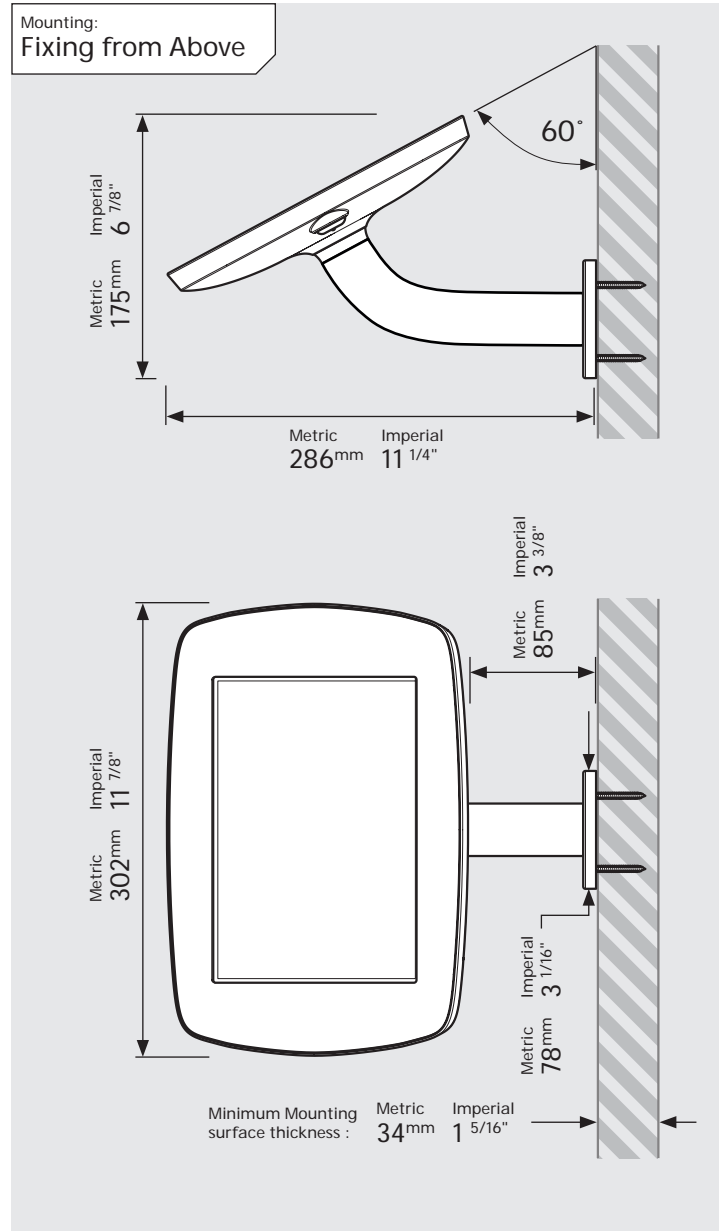
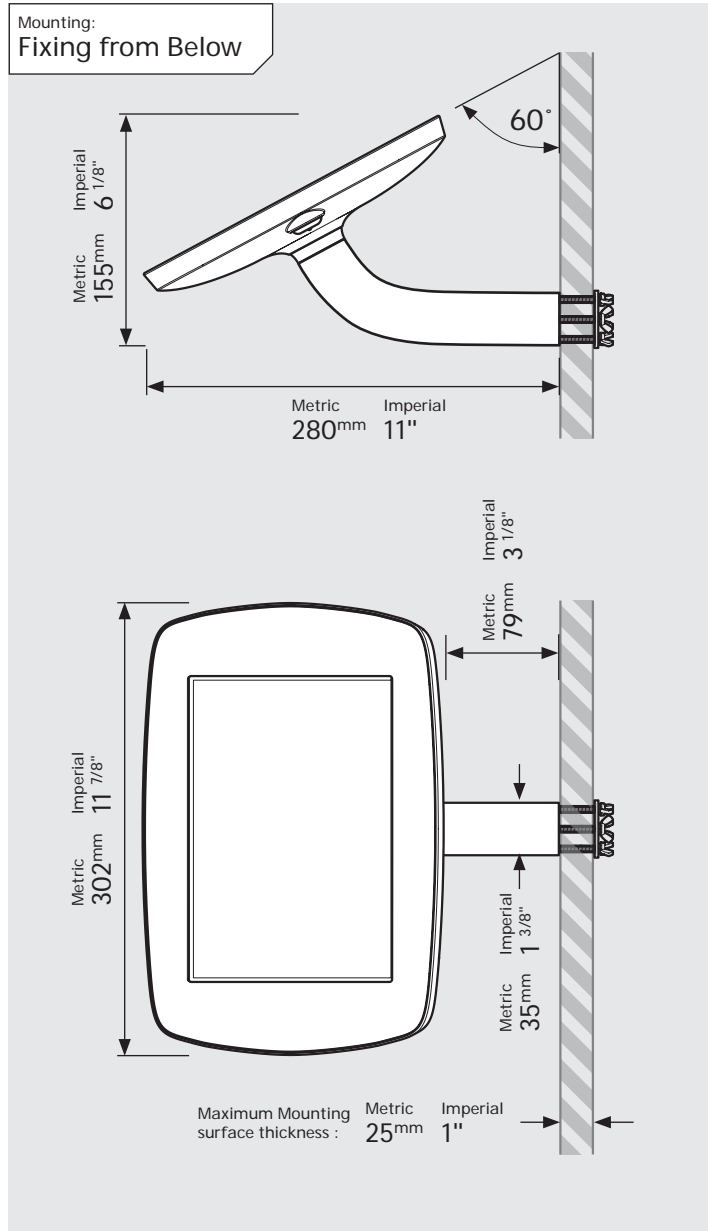
Case: Mini    Arm: Branch    Mounting: Fixing from Below  
 Fixing from Above    Packaged weight: 1.71kg    Colour: White  
 Black



# PRODUCT DATA SHEET - BOUNCEPAD BRANCH



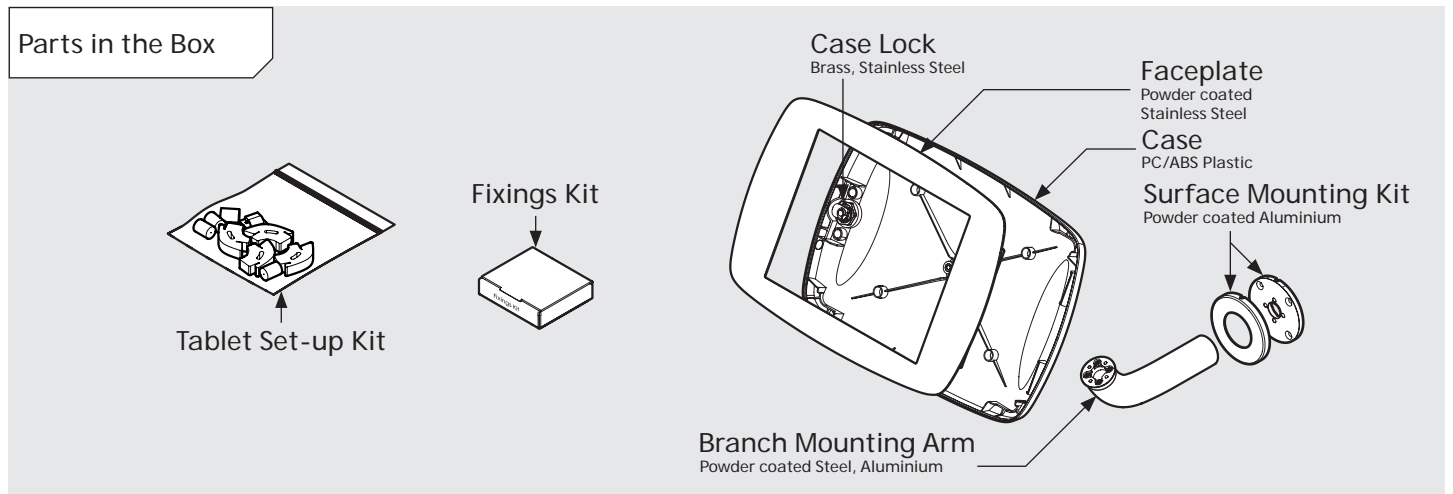
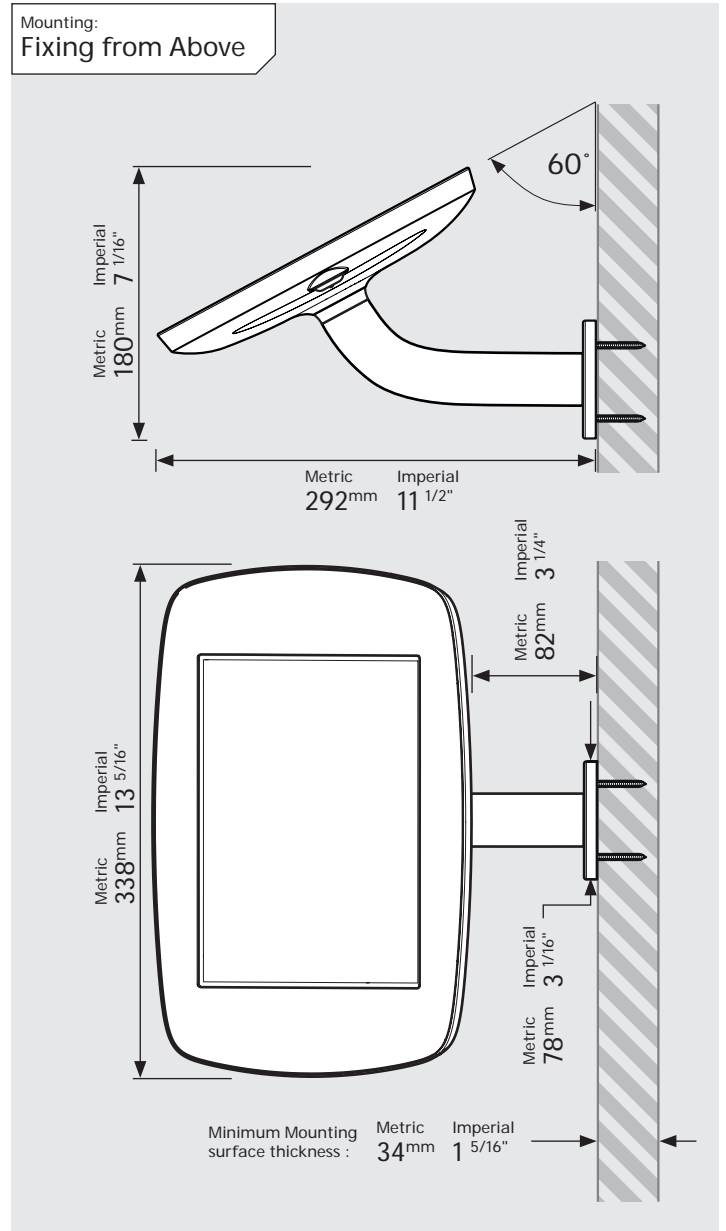
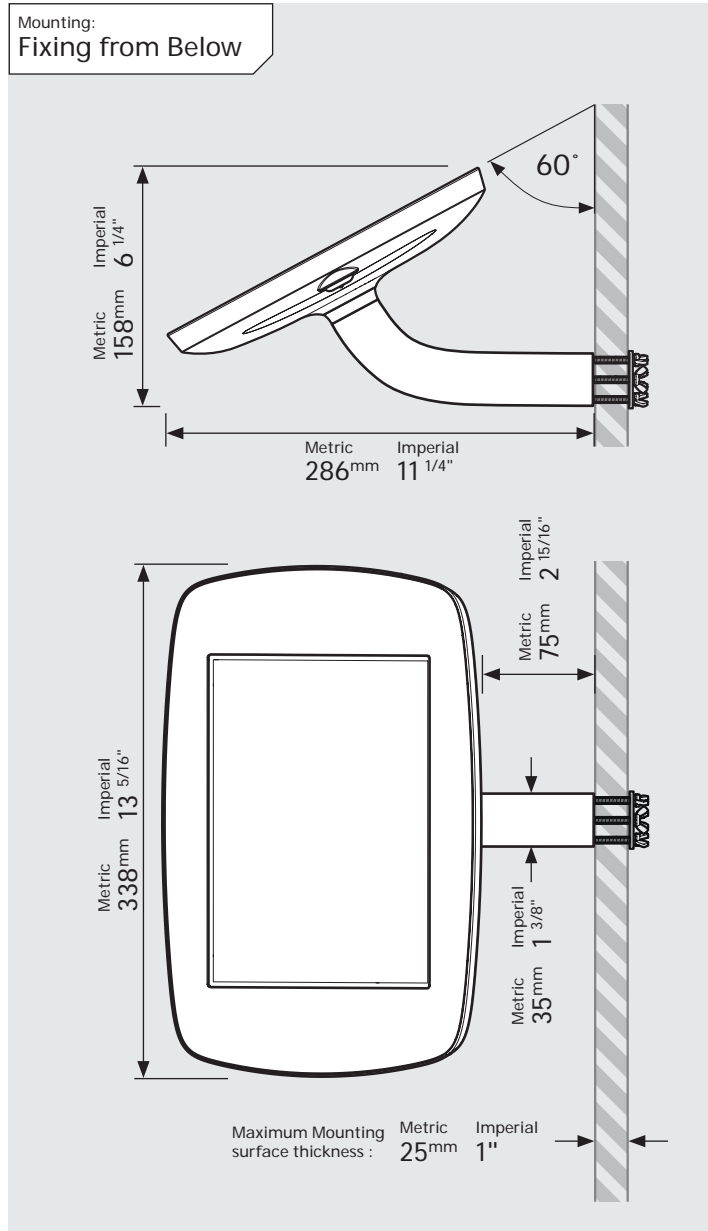
**Case:** Midi  
**Arm:** Branch  
**Mounting:** Fixing from Below  
**Fixing from Above**  
**Packaged weight:** 1.89kg  
**Colour:** White  
 Black



# PRODUCT DATA SHEET - BOUNCEPAD BRANCH

**bouncepad**<sup>®</sup>

|              |             |                             |                         |                |
|--------------|-------------|-----------------------------|-------------------------|----------------|
| <b>Case:</b> | <b>Arm:</b> | <b>Mounting:</b>            | <b>Packaged weight:</b> | <b>Colour:</b> |
| Maxi         | Branch      | Fixing from<br><b>Below</b> | 2.12kg                  | White<br>Black |
|              |             | Fixing from<br><b>Above</b> |                         |                |



# PRODUCT DATA SHEET - BOUNCEPAD BRANCH



**Case:** Mega  
**Arm:** Branch  
**Mounting:** Fixing from Below  
**Package weight:** 2.51kg  
**Colour:** White  
 Black  
 Fixing from Above

