

## Flex

### Assembly Instructions

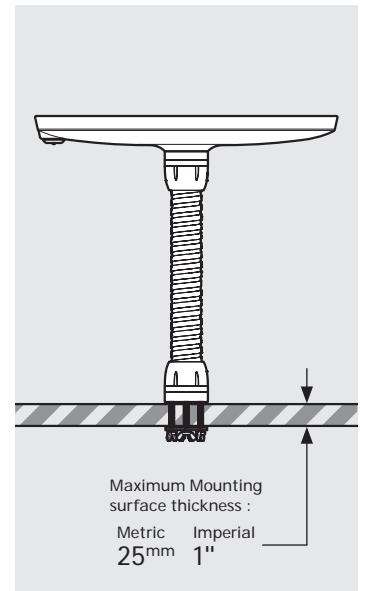
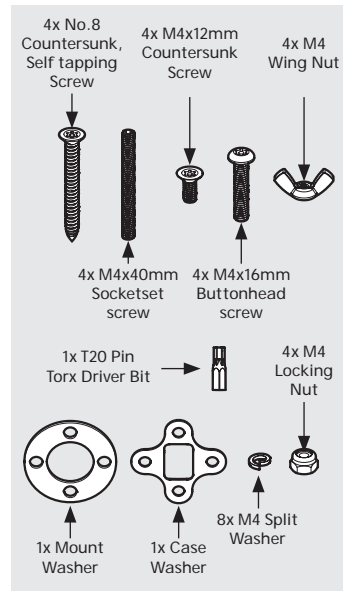
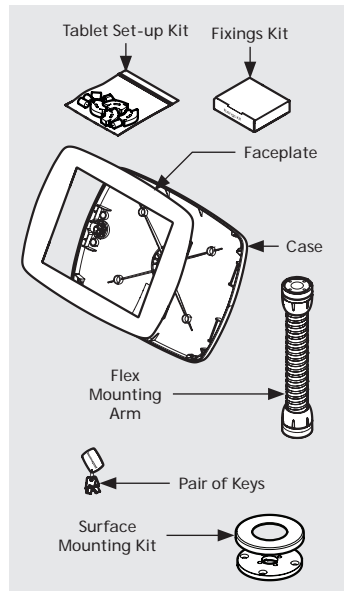
#### Tools Required:

- Pencil
- Electric Drill
- 7mm Spanner *\*or adjustable spanner*
- 5.0mm Drillbit *\*if fixing from below*
- 2.5mm Drillbit *\*if fixing from above*
- 16mm Holesaw *\*if routing the tablet cable through your mounting surface*
- Socket Driver

Sheet Code: BP-IM-031\_REV2

Release Date: 28/10/2019

Copyright 2016 Spotspot Ltd. (T/A Bouncepad) all rights reserved. Confidential, no part of this publication may be reproduced or transmitted in any form without the written permission of the copyright holder.



In the Box

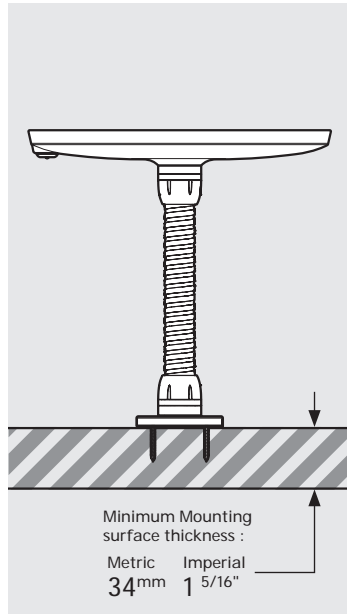


Fixings List

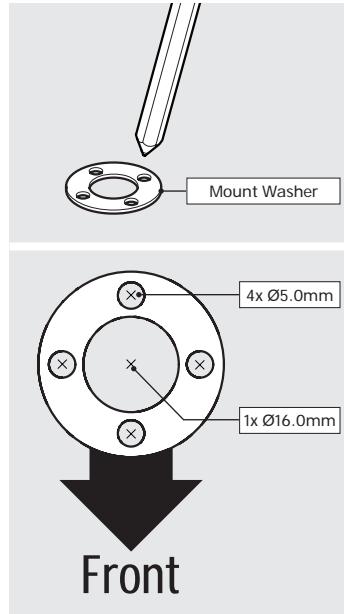
*\* Due to the modular nature of our product range you may receive additional fixings in the fixings kit*



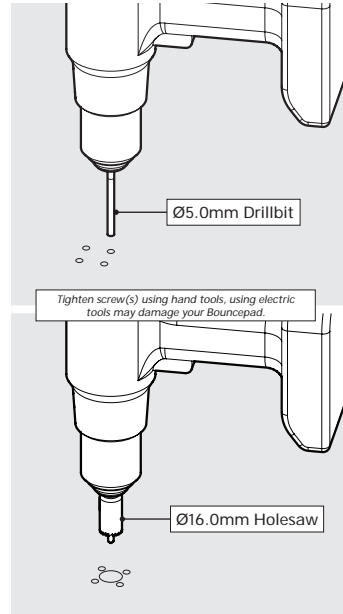
Follow steps A if "Fixing from below".



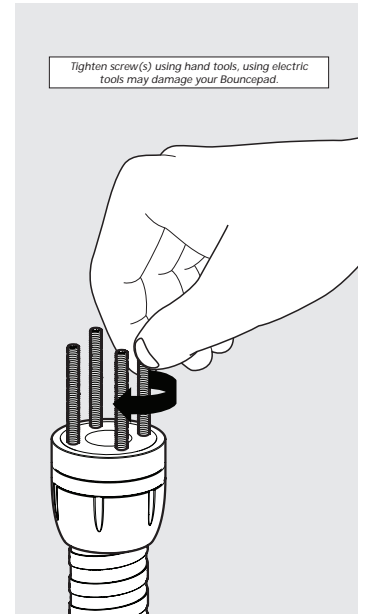
**B** Follow steps B if "Fixing from Above".



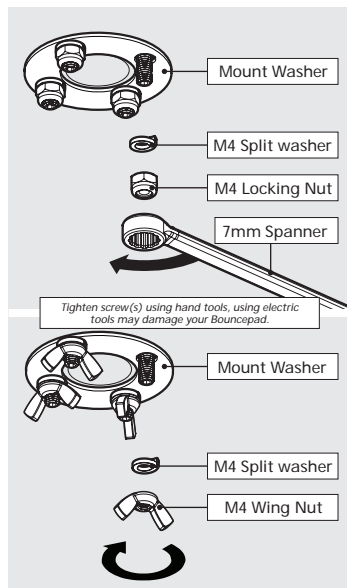
**A1** Using the Mount washer, mark the drill hole locations as shown.



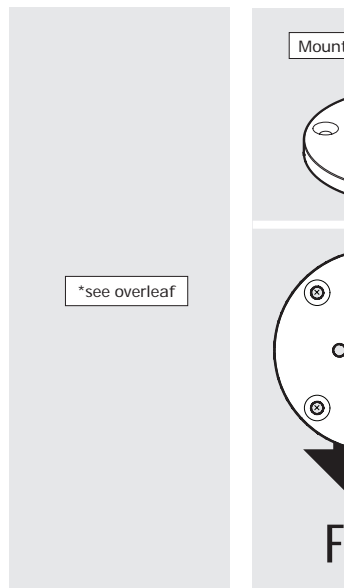
**A2** Drill each hole - using the specified drill size.



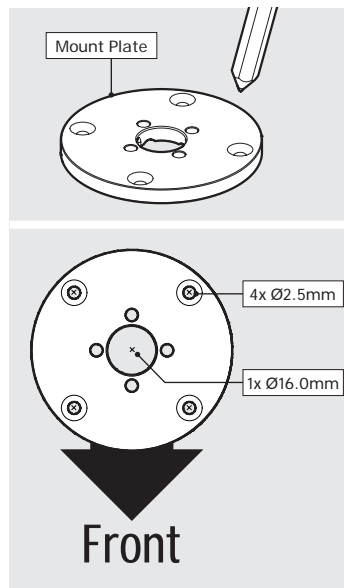
**A3** Locate and screw the Socket screws into one end of the Flex.



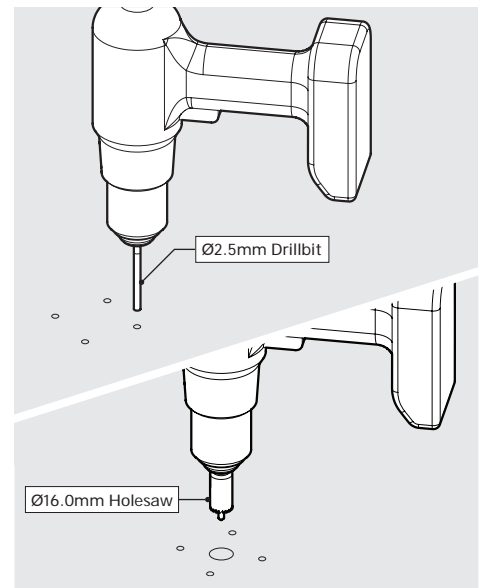
**A4** Locate and secure to the surface. Locking Nuts offer higher security.



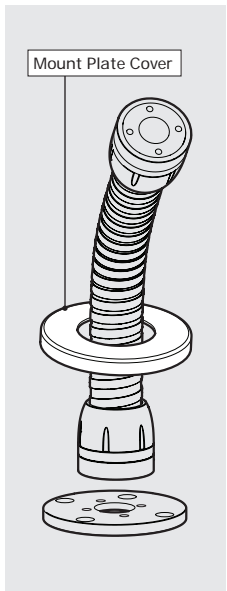
**A5** Go to step 1.



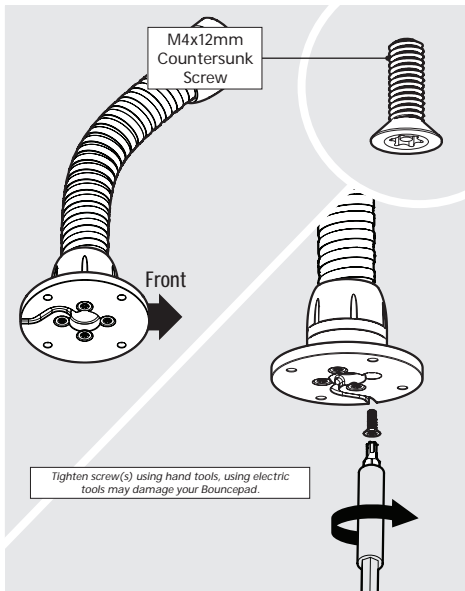
**B1** Using the Mount Plate, mark the drill hole locations as shown.



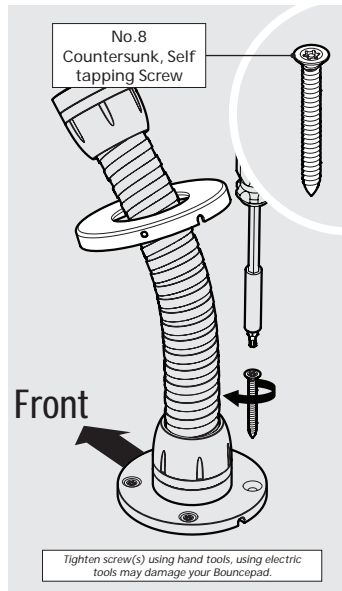
**B2** Drill each hole - using the specified drill sizes.



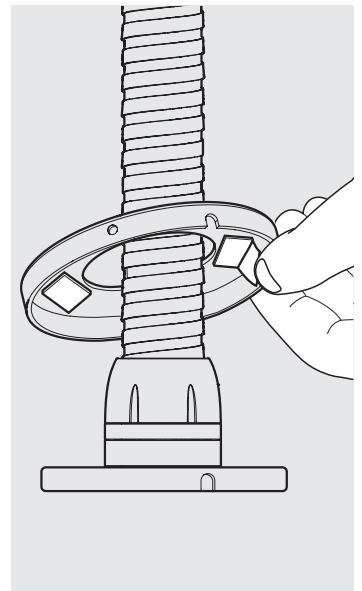
**B3** Locate the Cover onto the Flex.



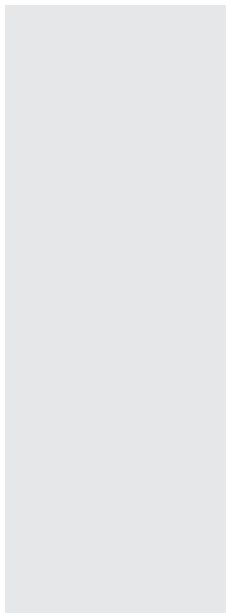
**B4** Join the Flex Arm & Mount Plate in the orientation shown.



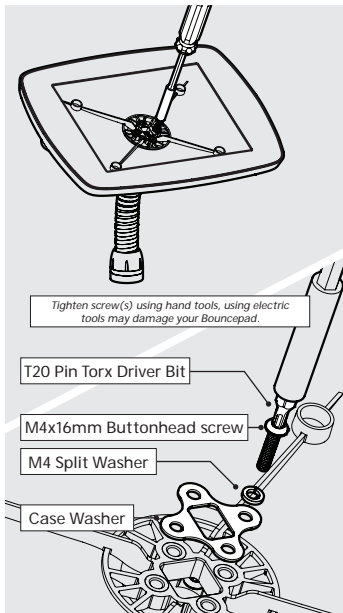
**B5** Secure the Flex to the surface with the 4x countersunk screws.



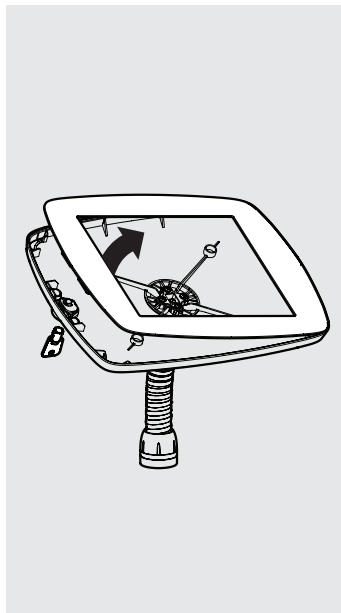
**B6** Adhere the Mount Cover onto the Mount Plate with the adhesive tabs.



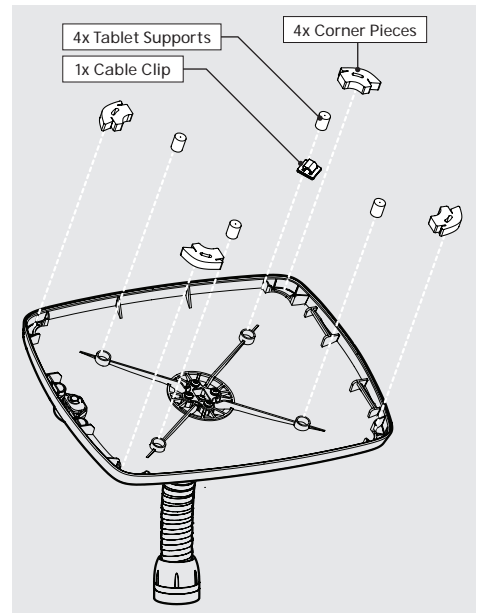
**B7** Go to step 1.



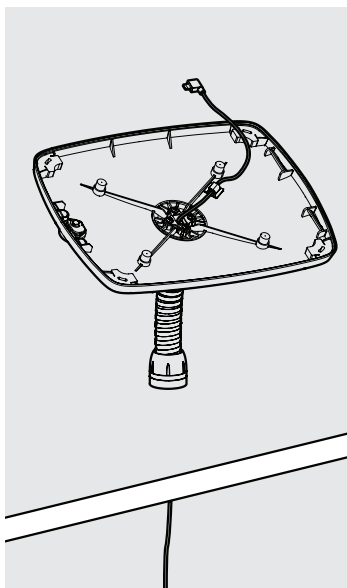
**1** Locate and attach the Bouncepad Case to the Flex as shown.



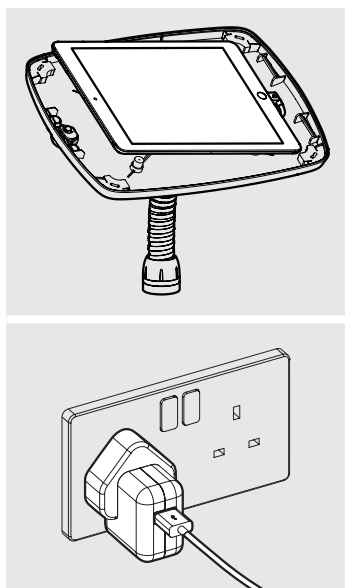
**2** Unlock & remove the Faceplate from the Bouncepad Case.



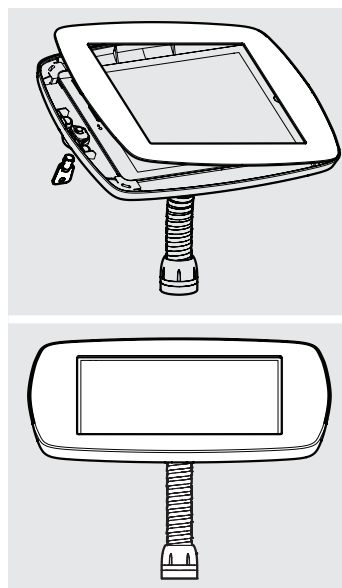
**3** Install the Tablet Setup Kit. Each kit is specific per tablet device and Bouncepad Case.



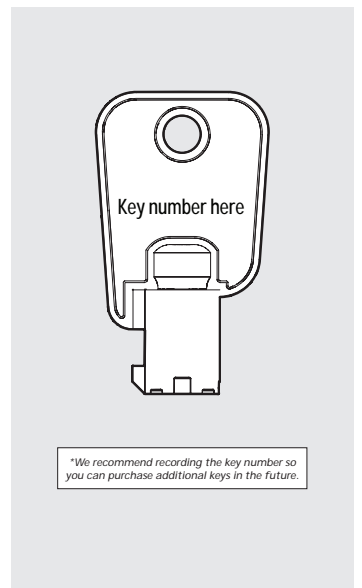
**4** Feed the tablet cable through the Bouncepad Case & Flex.



**5** Place the tablet into the Case and connect to power.



**6** Locate & lock the Faceplate onto the Bouncepad Case.



**7** Installation is now complete.