



Watermark: optional accessory



# Jabra PanaCast USB-Hubs & extension cable options

Jabra PanaCast can utilize either USB 2.0 or USB 3.0 for both connection and extension. Please keep in mind that if you connect to USB 2.0 ports or use longer cables, it would require an externally powered hub/dock. A list of recommended options are given in the selected hubs/docking stations section.

### Jabra PanaCast supported resolutions

USB 3.0**	USB 2.0*
3840 x 1088	-
3840 x 1080	3840 x 1080
1920 x 1080	1920 x 1080
1280 x 720	1280 x 720
960 x 544	960 x 544
640 x 360	640 x 360

Supported format: \*MJPEG \*\*YUY2, MJPEG

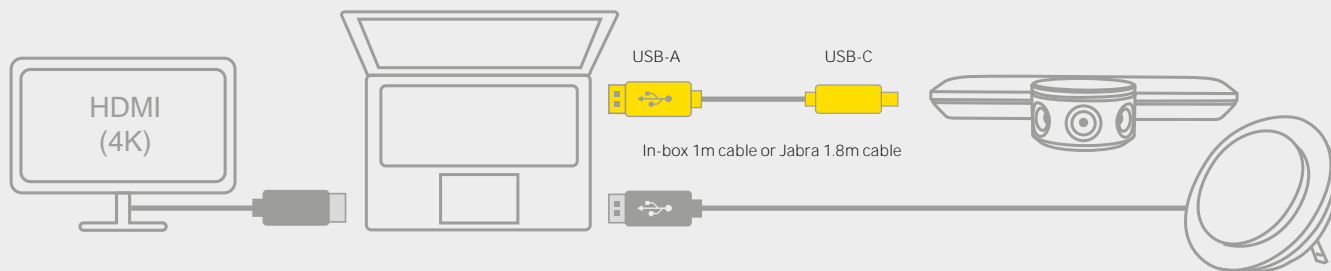


## USB-A connection without hub

There are several cable options for extending the connection between Jabra PanaCast and the host or dock.

Cables recommended for use with Jabra PanaCast							
Brand	Model	USB Type	Length (m/feet)	Connection 1	Connection 2	Power supply required	Connection options
Jabra cable (in box)		USB 3.0	1m/3ft	USB-C (side angle)	USB-A (male)	No	Direct to host, Jabra PanaCast Hub, or Targus hubs
Jabra	14202-09	USB 3.0	1.8m/6ft	USB-C (side angle)	USB-A (male)	No	Direct to host, Jabra PanaCast Hub, or Targus hubs
Newnex	U3S1A01C15-030	USB 3.1	3m/10ft	USB-C (side angle)	USB-A (male)	No	Direct to host, Jabra PanaCast Hub, or Targus hubs
Anker PowerLine	AK-A8167011	USB 3.0	3m/10ft	USB-C (straight)	USB-A (male)	No	Direct to host, Jabra PanaCast Hub, or Targus hubs
Startech	USB3AAEXT5M	USB 3.0	5m/16.4ft	USB-A (female)	USB-A (male)	Yes – included	Direct to host or Jabra PanaCast Hub
Startech	USB2AAEXT25M	USB 2.0	25m/82ft	USB-A (female)	USB-A (male)	Yes – included	Direct to host or Jabra PanaCast Hub

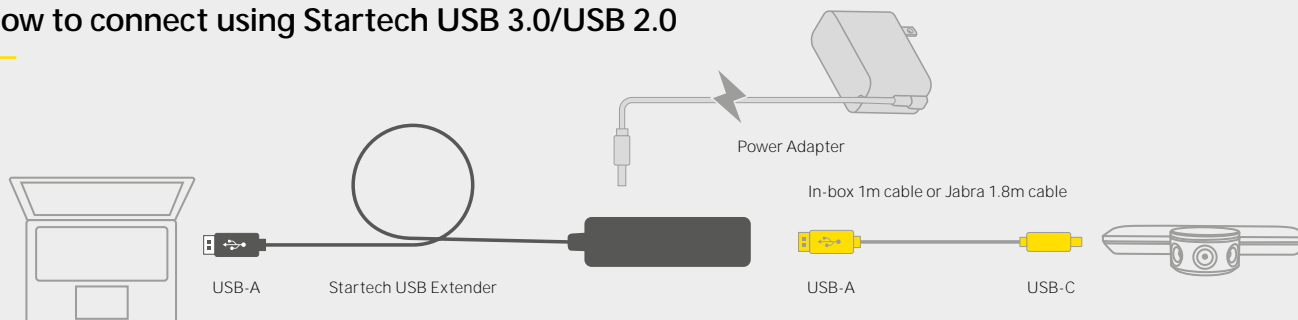
### How to connect using Jabra cables



### How to connect using Anker PowerLine/Newnex cable



### How to connect using Startech USB 3.0/USB 2.0



## USB-C connection with Jabra PanaCast Hub

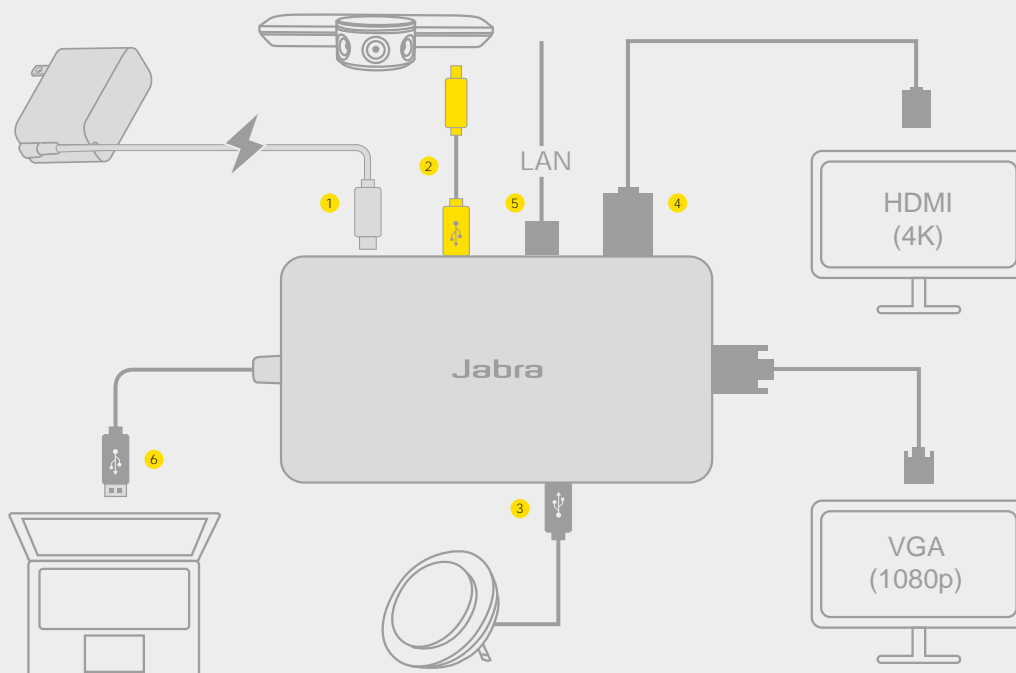
The Jabra PanaCast Hub provides a one-cable connection to your laptop via USB-C. You can connect all of the following cables to the hub and connect it all to your laptop using a single USB-C port:

- 1 meter/40 inch USB-C cable for PC connection
- Two USB-A ports for connecting the Jabra PanaCast and a Jabra Speak
- Ethernet
- HDMI or VGA
- Power supply for charging your laptop and USB peripherals through USB-C



### How to connect

1. Plug the power adapter into an outlet and connect it to the Hub
2. Connect Jabra PanaCast to the blue USB 3.0 port
3. Connect Jabra Speak to another USB port
4. Connect a display (if used) to the HDMI port or VGA port
5. Connect a network cable (if used) to the RJ45 port
6. Connect the Hub's USB output to the host machine

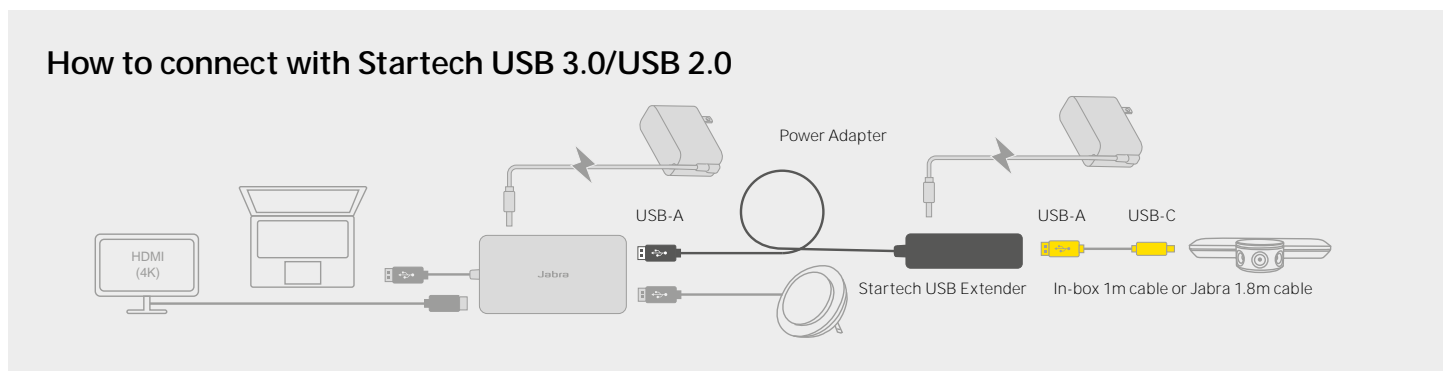
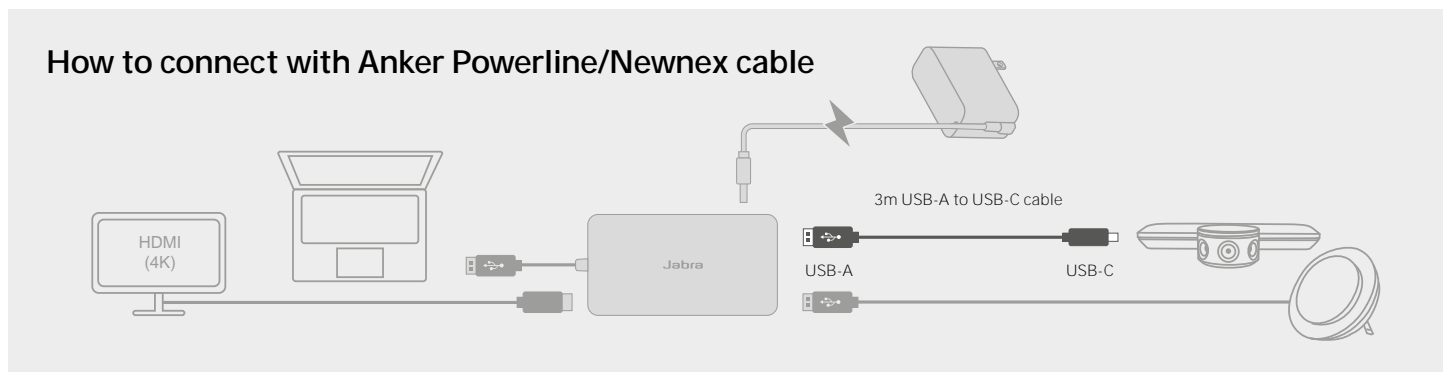
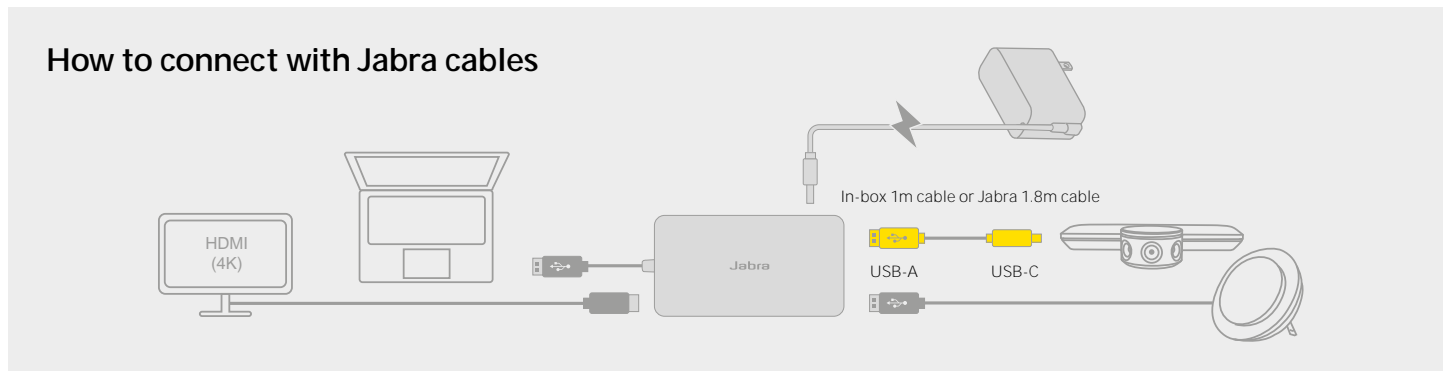


# USB-C connection with Jabra PanaCast Hub

## Cables recommended for use with Jabra PanaCast and the Jabra PanaCast Hub\*

Brand	Model	USB Type	Length (m/feet)	Connection 1	Connection 2	Power supply required	Connection options
Jabra cable (in box)		USB 3.0	1m/3ft	USB-C (side angle)	USB-A (male)	No	Direct to host, Jabra PanaCast Hub, or Targus hubs
Jabra	14202-09	USB 3.0	1.8m/6ft	USB-C (side angle)	USB-A (male)	No	Direct to host, Jabra PanaCast Hub, or Targus hubs
Newnex	U3S1A01C15-030	USB 3.1	3m/10ft	USB-C (side angle)	USB-A (male)	No	Direct to host, Jabra PanaCast Hub, or Targus hubs
Anker PowerLine	AK-A8167011	USB 3.0	3m/10ft	USB-C (straight)	USB-A (male)	No	Direct to host, Jabra PanaCast Hub, or Targus hubs
Startech	USB3AAEXT5M	USB 3.0	5m/16.4ft	USB-A (female)	USB-A (male)	Yes – included	Direct to host or Jabra PanaCast Hub
Startech	USB2AAEXT25M	USB 2.0	25m/82ft	USB-A (female)	USB-A (male)	Yes – included	Direct to host or Jabra PanaCast Hub

\*Please note: the 1 meter USB-C cable attached to the Jabra PanaCast Hub cannot be extended



## USB-A and USB-C connection with selected Targus hubs/docking stations

The following hubs and docking stations have been tested for compatibility with Jabra PanaCast and Jabra Speak:

- Targus ACH119
- Targus DOCK120
- Targus DOCK180
- Targus DOCK190

For technical specifications of each device see last page.

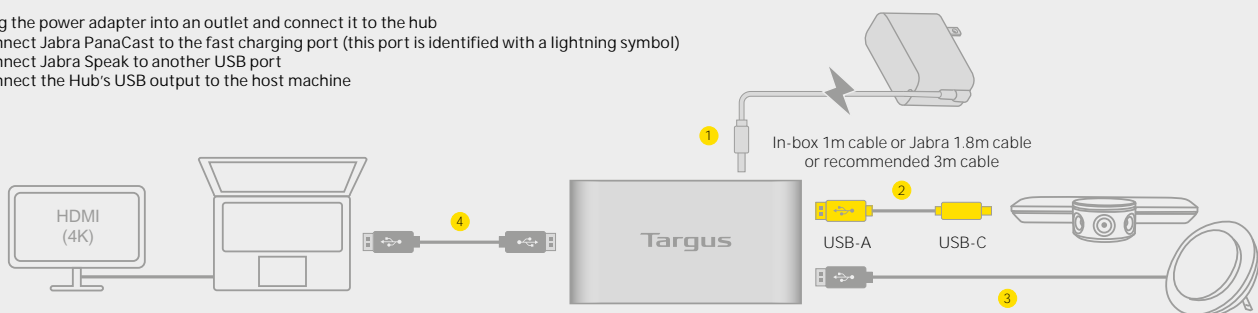
### Recommended cables for use with Jabra PanaCast and the Targus hubs

Brand	Model	USB Type	Length (m/feet)	Connection 1	Connection 2	Power supply required	Connection options
Jabra cable (in box)		USB 3.0	1m/3ft	USB-C (side angle)	USB-A (male)	No	Direct to host, Jabra PanaCast Hub*, or Targus hubs
Jabra	14202-09	USB 3.0	1.8m/6ft	USB-C (side angle)	USB-A (male)	No	Direct to host, Jabra PanaCast Hub*, or Targus hubs
Newnex	U3S1A01C15-030	USB 3.1	3m/10ft	USB-C (side angle)	USB-A (male)	No	Direct to host, Jabra PanaCast Hub*, or Targus hubs
Anker PowerLine	AK-A8167011	USB 3.0	3m/10ft	USB-C (straight)	USB-A (male)	No	Direct to host, Jabra PanaCast Hub*, or Targus hubs
Cable Matters	FBA_200008-BLACK-10	USB 3.0	3m/10ft	USB-A (male)	USB-A (female)	No	Targus hub to host, Targus hub to PanaCast (plus 1m Jabra cable)
Kramer	CA-UAM/UAF-25	USB 2.0	7.6m/25ft	USB-A (male)	USB-A (female)	No	Targus hub to host, Targus hub to PanaCast (plus 1m Jabra cable)

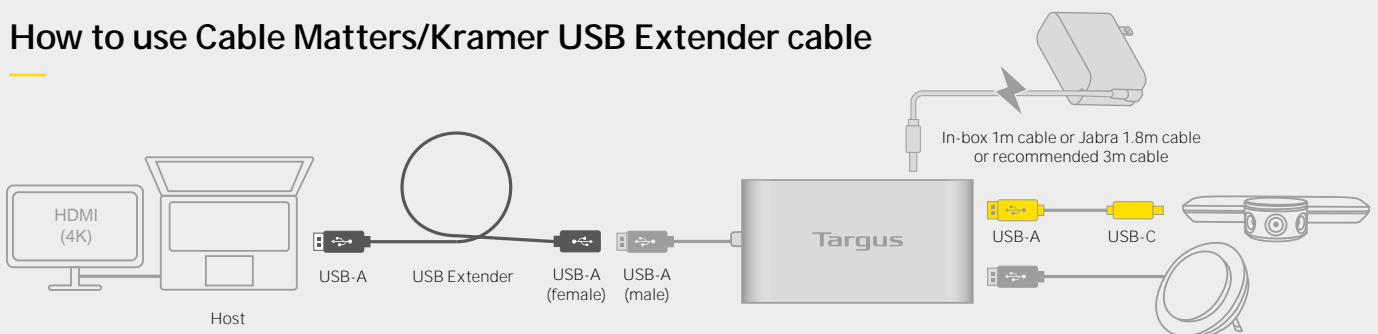
\*Please note: the 1 meter USB-C cable attached to the Jabra PanaCast Hub cannot be extended

### How to connect

1. Plug the power adapter into an outlet and connect it to the hub
2. Connect Jabra PanaCast to the fast charging port (this port is identified with a lightning symbol)
3. Connect Jabra Speak to another USB port
4. Connect the Hub's USB output to the host machine



### How to use Cable Matters/Kramer USB Extender cable



## Recommended hubs and docking stations

### Overview

The following hubs and docking stations have been tested for compatibility with Jabra PanaCast and Jabra Speak.



Features/Product		Jabra PanaCast Hub	Targus Ach119*	Targus DOCK120*	Targus DOCK180*	Targus DOCK190*
USB ports	Host interface	USB-C (fixed)	USB 3.0 Type A (fixed)	USB 3.0 Type A (detachable)	USB-C (with USB-C to USB-A Adapter)	USB-C (with USB-C to USB-A Adapter)
	Type A 2.0	-	-	2	-	-
	Type A 3.0	2	4 (1 fast charging)	2 (1 fast charging)	4 (1 fast charging)	4 (1 fast charging)
	Type C	1 (data/charge)	-	-	1 (data)	1 (data)
Display	Max displays	1	0	2	2	2
	HDMI	4096x2160 30 fps	-	2048x1152 60 fps	4096x2160 30 fps	4096x2160 30 fps
	Display port	-	-	2560x1600 30 fps	4096x2160 30 fps	4096x2160 30 fps
	DVI	-	-	2048x1152 60 fps	-	-
Ethernet	RJ45	Gigabit	-	Gigabit	Gigabit	Gigabit
PSU	Watts	45	20	20	60	100
Observations	BYOD interface flexibility	USB-C	Type A/USB-C (detachable host cable)	Type A/USB-C (detachable host cable)	USB-C (with USB-C to USB-A Adapter)	USB-C (with USB-C to USB-A Adapter)
	Drivers	-	-	MacOS Requires DisplayLink driver. Windows needs to be able to update drivers via Windows Update.	MacOS Requires DisplayLink driver. Windows needs to be able to update drivers via Windows Update.	MacOS Requires DisplayLink driver. Windows needs to be able to update drivers via Windows Update.

\*Please note: use the BC 1.2 fast charging port (marked with a lightning/power icon) for Jabra PanaCast.

Please note: Jabra waives all representations and warranties - express, implied, statutory or arising by course of dealing or performance, custom, usage in the trade or otherwise - including without limitation the implied warranties of merchantability, compatibility, title and fitness of the recommended products in this guide for a particular use. Jabra®, all contents and downloads are Copyright, owned by or licensed to GN Audio A/S. All rights reserved.